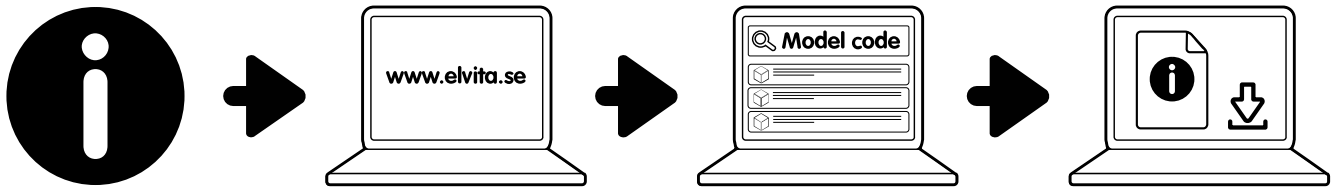


CCS46401VN-E2- 2024-06-25



You can find the latest updated manual online. Please go to elvita.se and use the search function and the product's model code to find the manual.

CONTENTS/INHALT/INNEHÅLL/INNHOLD/INDHOLD/SISÄLLYSLUETTELO/ EFNISYFIRLIT

ENGLISH	2
DEUTSCH	37
SVENSKA	75
NORSK	111
DANSK	147
SUOMI	183
ÍSLENSKA	219

Contents

SAFETY	4
Admonitions	4
Intended use	4
Safety for children and people with disabilities.....	4
General safety.....	5
Safety during installation	5
Safety during operation	6
Safety during maintenance	7
Safety labels.....	8
Disposal.....	8
QUICK START	9
Quick start oven	9
Quick start hob.....	10
GETTING STARTED	11
Before you use the cooker	11
Hob overview	11
Cooker controls	11
Open the child lock	11
Turn on and off the child lock on the temperature selector.....	12
Accessories.....	13
COOKING WITH THE HOB	14
Hob surface.....	14
Suitable cookware	14
Turn on and off the cooking zones	14
Save energy	14
Residual heat indicator	15
COOKING WITH THE OVEN	16
Cooking modes	16
Bottom heater.....	16
Top and bottom heater	16
Grill	16
Large grill	16
WaterClean	16
Pizza.....	16
Turn on and off the oven.....	17
Change oven temperature.....	17
Change oven cooking mode.....	17
Oven cooking mode guide.....	17
Wire guides	18
Grilling recommendations.....	18

Roasting recommendations	18
Baking recommendations	19
CLEANING	20
Clean the hob surface	20
Clean glass surfaces	20
Clean stainless steel surfaces	21
Clean enamel surfaces	21
Clean plastic parts and lacquer-coated surfaces	21
Clean the oven	21
Use the WaterClean programme	21
TROUBLESHOOTING	22
The main fuse in your home trips often	22
The oven lighting does not work	22
The food is undercooked	22
Replacing parts	22
Replace the oven light bulb	22
Replace the oven door	24
Remove and install the oven door glass panes	26
Remove and install the wire guides	27
Power cord wire connections	28
INSTALLATION	30
Cooker placement	30
Secure the cooker to a wall	30
Adjust the height of the cooker	31
Level the cooker	32
Connect the mains power	34
APPENDIX	35
Specifications	35
Dimensions	36
EU directives and standards	36

SAFETY

Carefully read the instructions before you install and use the product. Save the instructions and keep them near the product for future reference. All kinds of warranties shall be invalid if these instructions are not followed.

Admonitions

**WARNING!**

Used when there is a risk for personal injury.

**CAUTION!**

Used when there is a risk for damage to the product.

**NOTE!**

General information that you should be aware of.



Helpful tips that you may find useful.

Intended use

This product is intended

- to be used in a household setting.
- for heating and cooking various foodstuff.
- to be placed directly on the floor, without any supports or plinths.

This product is not intended

- for other purposes than cooking, for example room heating or similar purposes.
- to be installed as a built-in unit.
- for outdoor use.
- to be controlled by external timers or separate control systems.

Safety for children and people with disabilities

**WARNING!**

Only let the following groups use the product if they are supervised or if instructions are provided to them about how to use the product in a safe way. They must understand the hazards involved.

- Children 8 years and older. (Children younger than 8 years must be continuously supervised, or be kept away from the product.)
- People with reduced physical, sensory or mental capabilities.
- People with lack of experience and knowledge.

**WARNING!**

- Do not let children play with the product.
- Do not let children clean the product without supervision.

**WARNING!**

Only use hob guards designed or recommended by the manufacturer. The use of inappropriate hob guards may cause accidents.

General safety

**WARNING!**

Risk of fire!

- Do not store items on the cooking surface.
- Do not store combustible, explosive, volatile or temperature-sensitive items (such as paper, dish cloths, plastic bags, cleaners or detergents and spray cans) in the oven's storage drawer, as they can ignite during over operation and cause a fire. Unattended cooking on a hob with fat or oil may result in a fire.
- Never try to put out a fire with water. Instead turn off the product and cover the flame with, for example, a lid or a fire proof blanket.

**WARNING!**

Risk of electric shock!

- If the cooking surface is cracked, turn off the product immediately and disconnect it from the mains. Do not use or touch the product.
- Keep power cords of other appliances at a safe distance so that they are not caught in the oven door, as the cords may become damaged and cause short-circuit.

Safety during installation

**WARNING!**

Risk of fire!

- Make sure the floor and the adjacent walls are temperature resistant to at least 90°C.
- Do not install the product behind a decorative door, as it may become overheated.

**WARNING!**

Make sure all packaging remnants have been removed from the cooking compartment.

**WARNING!**

- The product is intended to be placed directly on the floor, without any support or plinths.
- If the supplied screws or anchors are not suitable for the wall, make sure you use ones that will ensure a secure installation on the wall.
- The cooker must be installed horizontally levelled.

**WARNING!**

Risk of electric shock! Do not connect the product to the mains yourself. The product may only be connected by an authorised technician.

**WARNING!**

- The electrical installation must follow local regulations.
- Make sure the protective earth wire is properly secured when connecting to the power supply.
- For single-phase power supply, use a 3×4.0 mm² cord marked H05VV-F 3G4 or better.
- For three-phase power supply, use a 5×1.5 mm² cord marked H05VV-F 5G1.5 or better.
- Do not use external timers or separate remote control systems to control the product.

**CAUTION!**

Do not install the product near powerful heat sources, such as solid fuel stoves, as the high temperature may damage the product.

**CAUTION!**

Carefully read the instructions for use before connecting the appliance to the power supply. Repair or any warranty claim resulting from incorrect connection or use of the product shall not be covered by the warranty.

Safety during operation

**WARNING!**

Always supervise the cooking process continuously.

**WARNING!**

If the hob surface breaks, immediately disconnect the product from the mains. Do not use the product.

**WARNING!**

Risk of fire! Make sure the air vents are never covered or obstructed in any way.

**WARNING!**

There is a risk of burns from residual heat. The cooking zone is indirectly heated by the heated cookware and stays hot for a while even after it is turned off.

**WARNING!**

Risk of burns!

- Cookware and accessible parts of the product may become very hot during use. Be careful not to touch hot parts.
- The oven door may become very hot during operation.
- Do not place metal objects like knives, forks, spoons, or lids on the cooking zones, as these objects can become very hot.

**WARNING!**

- Only use the grill with the oven door closed.
- Use oven mitts or meat tongs. The grill heater, grid, and other oven accessories get very hot during grilling.

**CAUTION!**

- The surface is very resistant to temperature changes but can be damaged by falling, heavy objects. The surface might break immediately or a while after being hit.
- Make sure the cooking zone and the bottom of the cookware are clean and dry to improve performance and prevent surface damage.
- If sugar, or food with high sugar content, is spilled over the surface when it is hot - immediately use a wipe or a scraper to remove the sugar from the hot surface. Otherwise the surface might become damaged.
- Never use detergents or other cleaners to clean a hot surface.
- Do not use the hob as a storage area as it may result in scratches or damages.

**CAUTION!**

Do not turn the temperature selector below the zero position when changing the oven temperature. This can damage the thermostat.

**CAUTION!**

- Make sure the cookware bottom fits the diameter of the cooking zone. If the cookware is too small, a part of the heat is lost and the cooking zone may be damaged.
- Do not line the oven walls with aluminium foil. Aluminium foil prevents air circulation in the oven, hinders the cooking process, and ruins the enamel coating.
- Do not place baking trays or other cookware on the bottom of the oven.
- Do not insert the deep baking tray into the first guide.

Safety during maintenance

**WARNING!**

Risk of electric shock!

- Do not attempt to perform any repairs yourself. Tampering with the product and non-professional repair may cause injury or damage to the product. It also makes the warranty invalid. Instead, contact a service technician.
- Do not replace the power cord yourself. If the power cord is damaged, it must be replaced by the manufacturer or authorised technicians to avoid hazard.

**WARNING!**

Risk of electric shock! Before replacing the light bulb always disconnect the product from the mains.

**WARNING!**

Use protection when removing an old light bulb to avoid burning yourself.

**WARNING!**

Do not let children clean the product without supervision.

**WARNING!**

Risk of electric shock!

- Before cleaning, disconnect the product from the mains.
- Do not use steam cleaners or high pressure cleaners to clean the product, as this may result in electric shock.

**WARNING!**

Make sure the hinge latches are correctly placed in the side laths of the door before you install it. This prevents the hinges from suddenly closing, which can injure you or damage the door.

**CAUTION!**

- Always wait for the product to cool down before cleaning.
- Make sure the oven has cooled down before you start the WaterClean programme.

**CAUTION!**

- Do not use steel wool, coarse cleaning sponges, or abrasive powder as they may scratch the surface. Aggressive spray cleaners, descaling agents, and other unsuitable liquid cleaners may also damage the surface.
- Do not use rough abrasive cleaners or sharp metal scrapers when cleaning glass surfaces, as they could crack the surface and cause the glass to break.
- Do not use abrasive cleaners or cleaners containing solvents when cleaning stainless steel surfaces, as they may damage the surface.
- Do not use abrasive cleaners or tools when cleaning enamel surfaces, as they may cause permanent damage.
- Do not use abrasive cleaners, abrasive tools, or alcohol-based cleaners when cleaning plastic parts and lacquer-coated surfaces.
- After cleaning, make sure to thoroughly remove any cleaner residue from the surface, since it may damage the surface when you heat up the cooking zones next time.

**CAUTION!**

- If sugar, or food with high sugar content, is spilled over the surface when it is hot - immediately use a wipe or a scraper to remove the sugar from the hot surface. Otherwise the surface might become damaged.
- Never use detergents or other cleaners to clean a hot surface.

**CAUTION!**

Do not lean against the open door when cleaning the oven cavity. Never stand on the open oven door and do not let children sit on it. The oven door hinges may be damaged under excessive load.

**CAUTION!**

Do not clean the telescopic guides in a dishwasher.

**CAUTION!**

Do not damage the enamel surface when replacing the light bulb.

Safety labels

These safety labels can be found on the product.



Caution! Risk of tilting.



Warning! Stabilising means must be installed to prevent tipping.

Disposal



Dispose of packaging in an environmentally-friendly manner. Recycling packaging, while observing national and local regulations, can reduce the consumption of raw materials and the amount of waste in landfill sites.

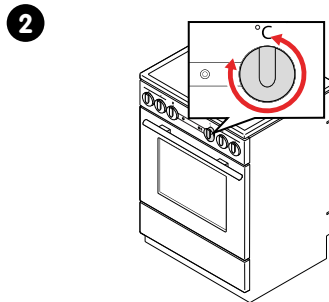
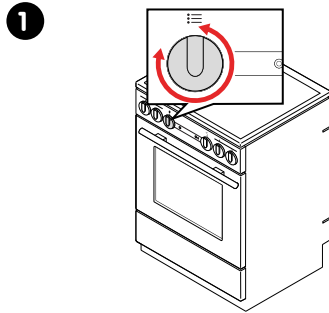
This product is marked in compliance with European Directive 2012/19/EU, Waste Electrical and Electronic Equipment (WEEE). The symbol on the product or on its packaging indicates that this product should not be treated as household waste. Instead it shall be handed over to the applicable collection point for the recycling of electrical and electronic equipment.

By ensuring this product is disposed of correctly, you will help prevent potential negative consequences for the environment and human health, which could otherwise be caused by inappropriate waste handling of this product. For more detailed information about recycling of this product, please contact the relevant municipal body in charge of waste management, your household waste disposal service or the store where you purchased the product.

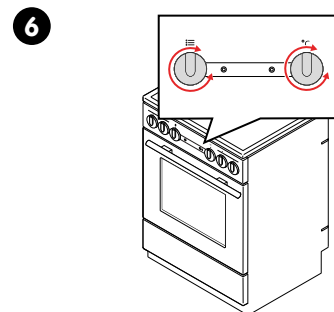
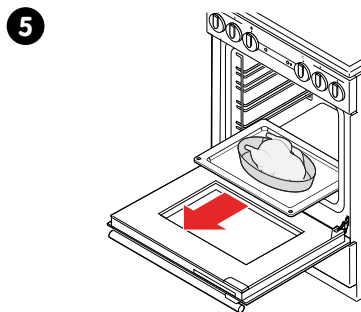
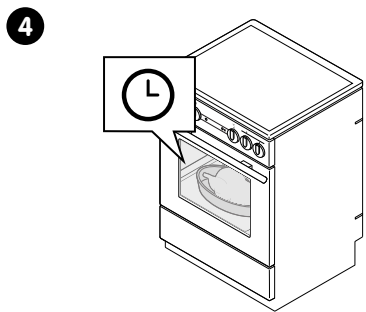
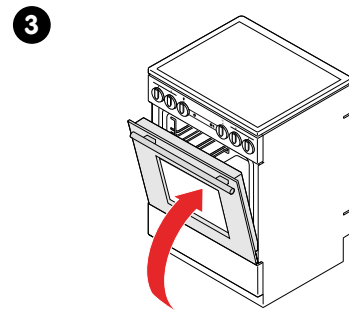
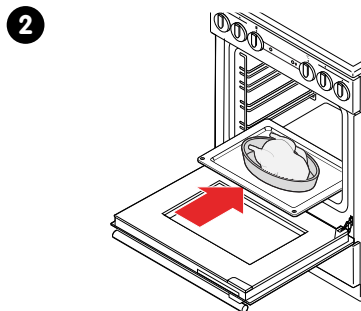
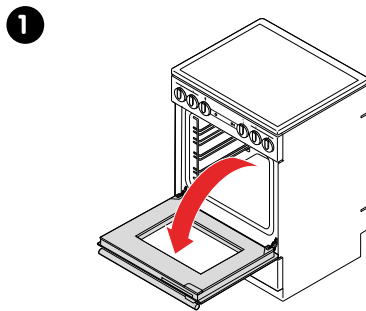
QUICK START

Quick start oven

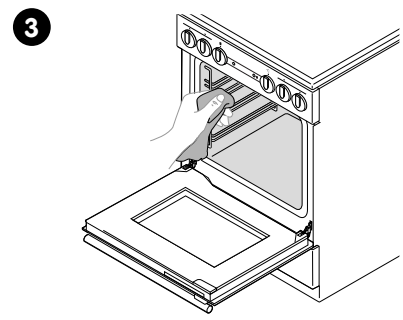
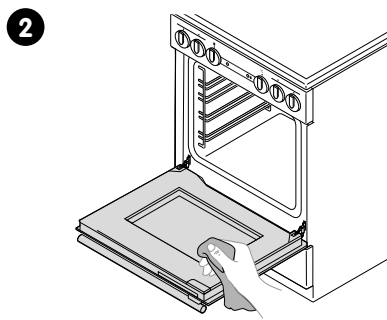
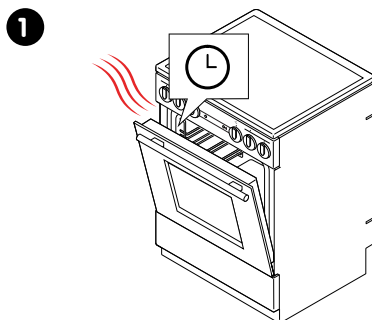
Select cooking mode and temperature



Cooking

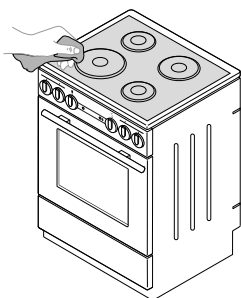


After cooking

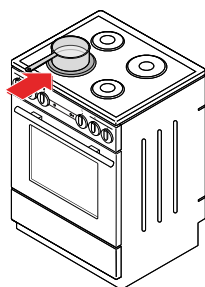
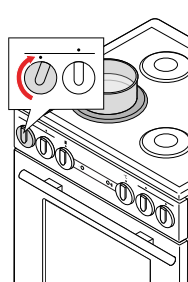
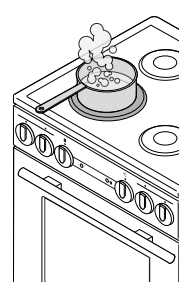
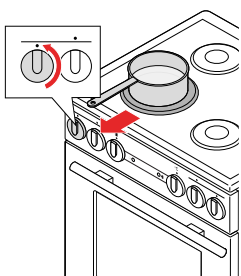


Quick start hob

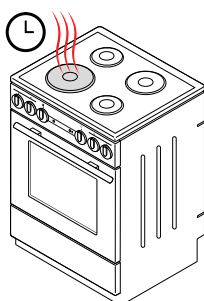
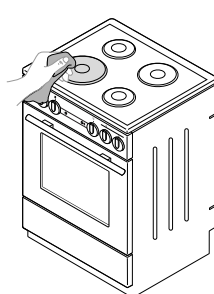
Before cooking

1

Cooking

1**2****3****4**

After cooking

1**2**

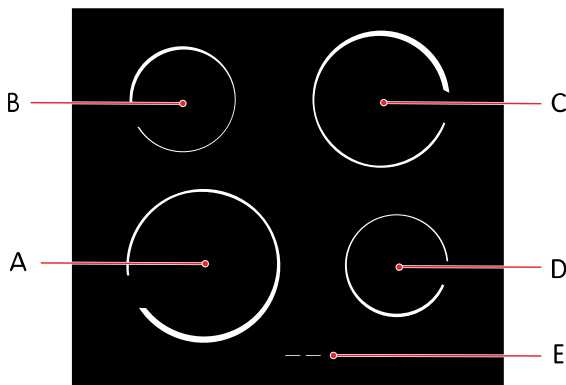
GETTING STARTED

Before you use the cooker

1. Remove all transport packaging and equipment from the cooker.
2. Clean all accessories and utensils with warm water and regular detergent. Do not use any abrasive cleaners.
3. Clean the hob's glass-ceramic surface it with a damp cloth and some washing-up liquid. Do not use aggressive cleaners, such as abrasive cleaners that could cause scratches, abrasive dishwashing sponges, or stain removers.
4. Heat up the oven without food to 275° C for 60 minutes. Ventilate the room as the cooker will omit the characteristic smell of a new appliance.

WARNING! Make sure all packaging remnants have been removed from the cooking compartment.

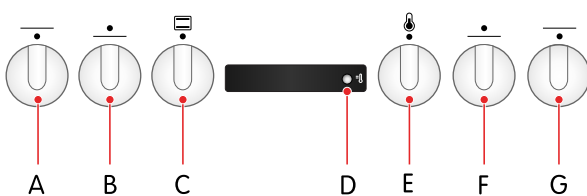
Hob overview



- A. Front left cooking zone
- B. Rear left cooking zone
- C. Rear right cooking zone
- D. Front right cooking zone
- E. Residual heat indicator

Cooker controls

Turn the selectors to control the cooker.



- A. Front left cooking zone power selector
- B. Rear left cooking zone power selector
- C. Oven cooking mode selector
- D. Temperature indicator light (red)
- E. Oven temperature selector
- F. Rear right cooking zone power selector
- G. Front right cooking zone power selector

Lights

The temperature indicator light turns on when the oven heats up and turns off when the oven has reached the selected temperature.

Open the child lock

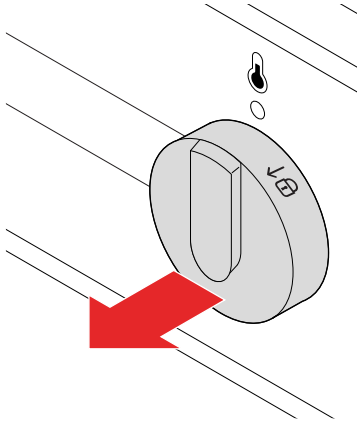
The oven door locks automatically when you close it.

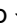
1. Push the child lock gently to the right with your thumb.
2. Pull the oven door while still pushing the child lock.

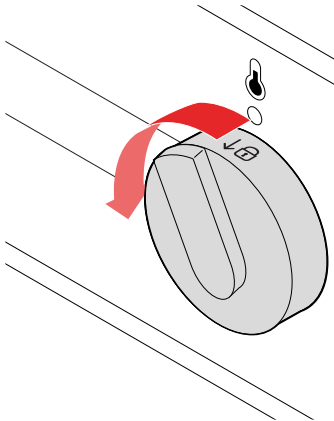
Turn on and off the child lock on the temperature selector

Turn on the child lock

1. Pull the temperature selector outward.

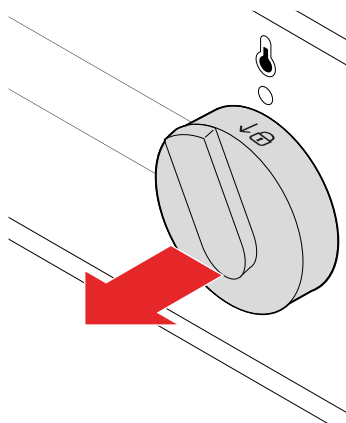


2. Turn the temperature selector 15° to  and release it. The selector is now locked and the cooking zones and the oven can no longer be turned on, preventing children from accidentally turning them on.

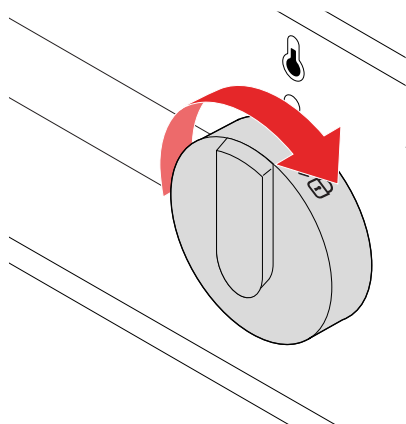


Turn off the child lock

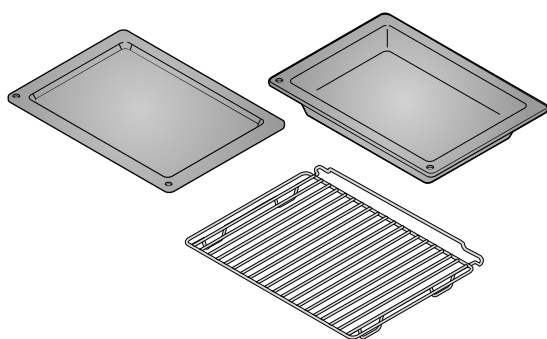
1. Pull the temperature selector outward.



2. Turn the temperature selector 15° clockwise and release it.
The selector is unlocked and the cooking zones and the oven can be turned on.

**Accessories**

The cooker is supplied with some useful accessories to improve your cooking experience.

**Shallow trays**

For baking pastries or as a drip tray.

Extra deep tray

For roasting large amounts of vegetables and meat or preserving food.

Grid

For grilling meat or fish.

COOKING WITH THE HOB

Hob surface

The hob surface is made of a solid glass-ceramic material. Here is some advice on how to use and maintain the surface.

- The surface is very resistant to temperature changes but can be damaged by falling, heavy objects. The surface may break immediately or a while after being hit.



WARNING!

If the surface breaks, immediately disconnect the product from the mains. Do not use the product.

- Make sure the cooking zone and the bottom of the cookware are clean and dry to improve performance and prevent surface damage.



CAUTION!

If sugar, or food with high sugar content, is spilled over the surface when it is hot - immediately use a wipe or a scraper to remove the sugar from the hot surface. Otherwise the surface may become damaged.

Never use detergents or other cleaners to clean a hot surface.

- Do not use the hob as a storage area as it may result in scratches or damages.

Suitable cookware

For the best results and to prevent damage, make sure you use suitable cookware.

- Use quality cookware with a flat and stable bottom.
- Make sure the cookware bottom fits the diameter of the cooking zone.



When purchasing cookware, note that the indicated diameter usually refers to the upper edge or the lid, which is normally larger than the diameter of the bottom.

- Cookware made of tempered glass, with a special ground bottom can be used if its diameter fits the cooking zone. Cookware with larger diameter may crack due to thermal tension.

Turn on and off the cooking zones

1. Rotate the knob to turn on the cooking zone.
You can set the heating power in steps from 1 to 9.
The heat of a cooking zone is adjusted by the power being turned on and off in intervals. The length of the interval depends on the set power level.
2. Turn off the cooking zone by rotating the knob to 0.

Save energy

Here are some tips on how you can save energy.

- Make sure the cookware bottom fits the diameter of the cooking zone. If the cookware is too small, a part of the heat is lost and the cooking zone may be damaged.
- Use cookware that fits the amount of food you are cooking. Using larger cookware than required consumes more energy.
- When possible, cover the cookware with a lid.
- If a dish takes long time to cook, use a pressure cooker.
- Vegetables, potatoes, and so on, may be cooked in a smaller amount of water. The food will cook just as well, as long as the cookware is tightly closed with a lid. After bringing the water to a boil, reduce the heat to a level that just suffices to maintain a slow simmer.

Residual heat indicator

The cooking zones stay hot for a while even after they are turned off. A hot cooking zone is indicated with the residual heat indicator. The indicator goes out when the cooking zone has cooled down.

The residual heat indicator is also lit if hot cookware is placed on a cool cooking zone.

**WARNING!**

There is a risk of burns from residual heat.

COOKING WITH THE OVEN

- Use dark, black silicon coated or enamel coated baking trays. They transmit heat better.
- Cooking many types of pastries one after another saves energy since the oven is already hot. Heating an oven that has cooled down uses more energy.
- Steam can sometimes form on the inside of the oven during cooking. The steam may condense on the door and the lid of the cooker. This is normal behaviour and does not affect the operation of the cooker. Wipe of any condensed water with a cloth.
- If you leave the dish in the oven after it has finished cooking steam may evaporate from it and condense on the front panel and the oven door.



You can turn off the oven about 10 minutes before the end of the cooking process. This will save energy as the already built up heat is used.

Cooking modes

Bottom heater



Use this oven mode to brown the lower side of food. The bottom heater will radiate heat on the lower side of the food. Recommended temperature: 180 °C.

Top and bottom heater



Use this oven mode to cook meat or pastry that can only be baked or roasted at a single height level. The top and bottom heaters will radiate heat evenly in the oven. Recommended temperature: 200 °C.

Grill



Use this oven mode to grill small amounts of open sandwiches, beer sausages or to toast bread. Only the grill heater is on when using this mode. Recommended temperature: 230 °C.

Large grill



Use this oven mode to grill small amounts of open sandwiches, beer sausages, meat or to toast bread. The grill heat and the upper heater are both on when using this mode. Recommended temperature: 230 °C.

WaterClean



Use this oven mode to remove stains and food residues from the oven. Only the bottom heater will radiate heat. The programme takes 30 minutes. Recommended temperature: 70 °C.

Pizza



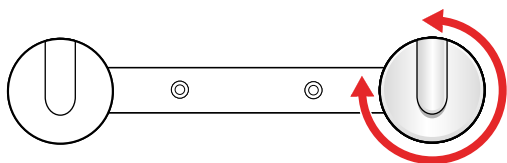
The pizza function uses high temperature which bakes the pizza in a very short time with a juicy crust. Use this oven mode to make your perfect pizza. Recommended temperature: 190 °C - 200 °C.

Turn on and off the oven

1. Turn the oven mode selector to any of the cooking modes to turn it on.
2. Turn the oven mode selector to **0** to turn it off.

Change oven temperature

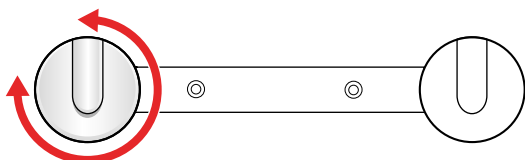
Select a suitable temperature for what you are cooking.



1. Turn the temperature selector clockwise to increase the temperature or anticlockwise to lower the temperature.
CAUTION! Do not turn the selector below the zero position. This can damage the thermostat.
The temperature range is 50-275°C.

Change oven cooking mode

Select the suitable cooking mode for what you are cooking.



1. Turn the cooking mode selector clockwise or anticlockwise to switch between the available modes.



The cooking mode can also be changed during cooking.

Oven cooking mode guide

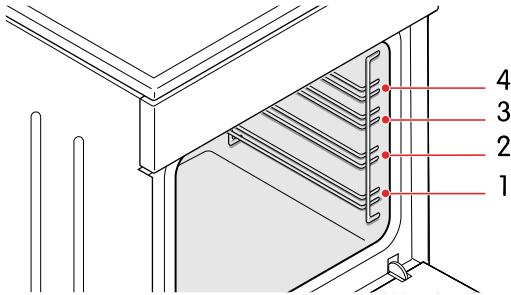
Find the most suitable oven cooking mode for your needs by using the following table.

Cooking method	Food type	Oven cooking mode
Roast	Meat	
Grill	Open sandwiches, beer sausages	
	Open sandwiches, beer sausages, meat	
Brown	Upper side of food	
	Bottom side of food	
Bake	Pastries on a single level	

Cooking method	Food type	Oven cooking mode
Toast	Bread	
		

Wire guides

Wire guides allow you to choose between 4 different levels when you insert a grid or a tray into the oven. The levels/guides are counted from the bottom and up.



The oven is safe to use both with and without the guides.



CAUTION!

Do not place baking trays or other cookware on the bottom of the oven.

Grilling recommendations

Use these recommendations when grilling.



WARNING!

Only use the grill with the oven door closed.



WARNING!

Use oven mitts or meat tongs. The grill heater, grid, and other oven accessories get very hot during grilling.

- Preheat the grill for about 5 minutes before you use it.
- Observe the food regularly. The food may burn quickly because of the high temperature.
- Smear the grid with oil to prevent the meat from sticking when grilling directly on it. Use the 4th guide.
- Insert the drip tray in to the 1st or 2nd guide.
- Make sure there is enough liquid in the tray when using a baking tray. Otherwise the food may burn.
- Turn the meat.
- Clean the oven, the accessories, and the utensils when you have finished grilling.

Roasting recommendations

Use these recommendations when roasting.

- Use enamel coated, tempered glass, clay, or a cast iron pan or tray.



NOTE!

Do not use stainless steel trays. They strongly reflect heat.

- Use enough liquid when cooking to prevent the meat from burning.
- Cover the meat to keep it juicy.

Baking recommendations

Use these recommendations when baking.

- Preheating is recommended.
- You can bake biscuits and cookies in shallow baking sheets on several levels (second and third) at the same time.

**NOTE!**

The biscuits or cookies on the upper baking sheet may be ready sooner than the ones on the lower one.

- Always place the baking trays on the grid. Remove the grid if you are using the supplied baking sheet.

**CAUTION!**

Do not insert the deep baking tray into the first guide.

- Make biscuits of similar thickness to make sure that they brown evenly.
- Baking accessories may change form as they get hot. This does not affect their functions and they will return to their original form when they cool down.

CLEANING

Make sure to clean your product regularly to make it last longer and keep a good appearance.



WARNING!

Do not let children clean the product without supervision.



WARNING!

Risk of electric shock!

- Before cleaning, disconnect the product from the mains.
- Do not use steam cleaners or high pressure cleaners to clean the product, as this may result in electric shock.



CAUTION!

Always wait for the product to cool down before cleaning.

Clean the hob surface

Always clean your hob's glass-ceramic surface in the correct way to ensure long lasting operation and appearance.



CAUTION!

- Do not use steel wool, coarse cleaning sponges, or abrasive powder as they may scratch the surface. Aggressive spray cleaners, descaling agents, and other unsuitable liquid cleaners may also damage the surface.
- After cleaning, make sure to thoroughly remove any cleaner residue from the surface, since it may damage the surface when you heat up the cooking zones next time.



CAUTION!

If sugar, or food with high sugar content, is spilled over the surface when it is hot - immediately use a wipe or a scraper to remove the sugar from the hot surface. Otherwise the surface might become damaged.

Never use detergents or other cleaners to clean a hot surface.

- When cleaning the hob, use special care products that create a protective film that prevents dirt from sticking to the surface.
- Remove minor impurities with a damp, soft cloth and wipe the surface dry.
- Remove water stains with a mild solution of vinegar. Make sure not to use this solution on the frame as it may lose its shine.
- For stubborn dirt, use special glass-ceramic cleaners and follow the manufacturer's instructions. If nothing else works, remove stubborn dirt with a scraper. Hold the scraper at the correct angle (45° to 60°), gently press the scraper against the glass and slide it to remove the dirt.

Discolouration of the glass-ceramic surface is usually a result of food residues being burnt onto the surface or from using cookware of unsuitable material (like aluminium or copper). Such discolouration is very difficult to remove completely but does not affect the function of the hob and is therefore not covered by the warranty.

Clean glass surfaces

Clean glass surfaces with equipment and agents intended for cleaning glass, mirrors, and windows.



CAUTION!

Do not use rough abrasive cleaners or sharp metal scrapers as they could crack the surface and cause the glass to break.

Clean stainless steel surfaces

Clean stainless steel surfaces with a mild detergent and a soft sponge that will not scratch the surface.

**CAUTION!**

Do not use abrasive cleaners or cleaners containing solvents as they may damage the surface.

Clean enamel surfaces

Clean enamel surfaces with a damp sponge. Remove fatty stains with warm water and special detergent for enamel.

**CAUTION!**

Do not clean enamel surfaces with abrasive cleaners or tools as they may cause permanent damage.

Clean plastic parts and lacquer-coated surfaces

Immediately remove any stains on plastic parts and lacquer-coated surfaces with a soft non-abrasive cloth and some water. You may also use cleaners and cleaning tools intended for plastic and lacquer-coated surfaces. Follow the manufacturer's instructions.

**CAUTION!**

Do not use abrasive cleaners, abrasive tools, or alcohol-based cleaners.

Clean the oven

Clean the oven cavity regularly.

**CAUTION!**

Do not lean against the open door when cleaning the oven cavity. Never stand on the open oven door and do not let children sit on it. The oven door hinges may be damaged under excessive load.

**CAUTION!**

Do not use abrasive agents. They will scratch enamel coated surfaces.

- Clean the oven walls with a damp sponge and detergent. Use a special enamel detergent for burned stains.
- Wipe the oven dry carefully after cleaning it.
- Clean the wire guides and telescopic guides using a conventional detergent.

**CAUTION!**

Do not clean the telescopic guides in a dishwasher.


- Clean the oven utensils with a sponge and detergent. You can use special detergents for rough stains or burns.

Use the WaterClean programme

Use the WaterClean programme to easily remove stains and food residues from your oven.

**CAUTION!**

Make sure the oven has cooled down before you start the WaterClean programme.

1. Turn the cooking mode selector to .
2. Turn the temperature selector to 70 °C.
3. Pour 0.6 l water into a baking tray and place it in the lower guide.
4. Let the programme run for 30 minutes. The food residues will soften.
5. Clean the oven enamel walls with a damp cloth.

TROUBLESHOOTING

You can solve many minor problems with help from the troubleshooting information. If the problem persists, do not try to repair the product in other ways than mentioned in this manual.

**WARNING!**

Risk of electric shock!

- Do not attempt to perform any repairs yourself. Tampering with the product and non-professional repair may cause injury or damage to the product. It also makes the warranty invalid. Instead, contact a service technician.
- Do not replace the power cord yourself. If the power cord is damaged, it must be replaced by the manufacturer or authorised technicians to avoid hazard.

The main fuse in your home trips often

The power of all switched-on appliances does exceed the capacity of the power mains in your home

Contact a service technician.

The oven lighting does not work

The oven lighting needs to be replaced

See section "Replace the oven light bulb", [page 22](#).

The food is undercooked

The problem can have different causes. Follow the instructions for the suggested causes to solve the problem.

The wrong temperature or cooking mode is selected

Make sure you have selected the right temperature and cooking mode.

The oven door is open

Make sure the oven door is closed.

Replacing parts

Replace the oven light bulb

When the light bulb breaks, replace it with a halogen light bulb G9, 25 W.

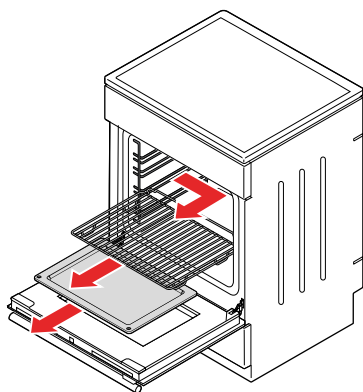
**WARNING!**

Risk of electric shock! Before replacing the light bulb always disconnect the product from the mains.

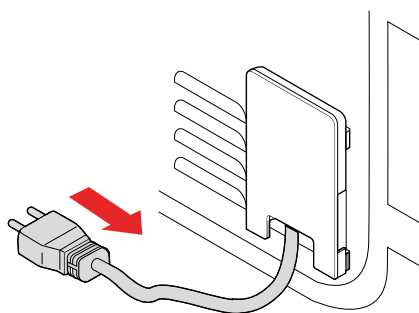
**NOTE!**

The light bulb is not covered by warranty because it is a consumable item.

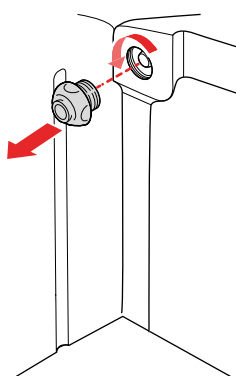
1. Remove the grid, guides and trays.



2. Disconnect the cooker from the mains power.

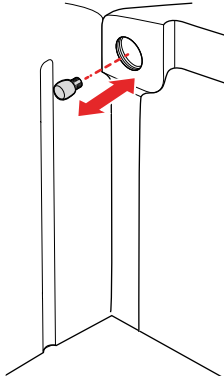


3. Remove the bulb cover.

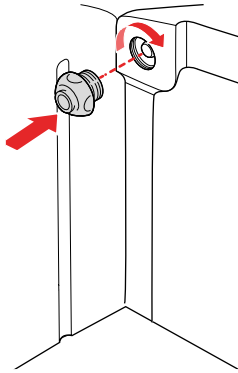


4. Replace the bulb.

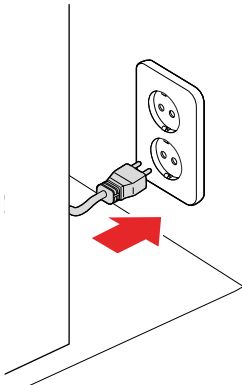
WARNING! Use protection when you remove the old light bulb to avoid burning yourself.
CAUTION! Do not damage the enamel surface.



5. Install the cover.



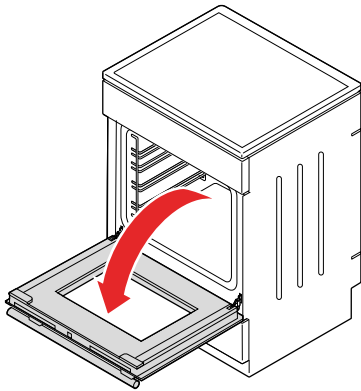
6. Connect the cooker to the mains power.



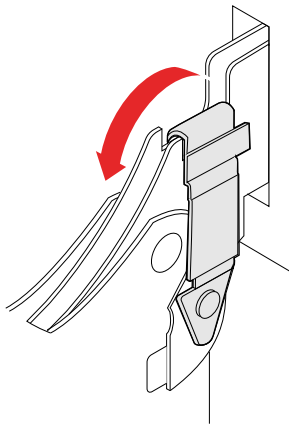
Replace the oven door

Remove and replace the oven door if it is broken or if you need to remove the oven door glass pane.

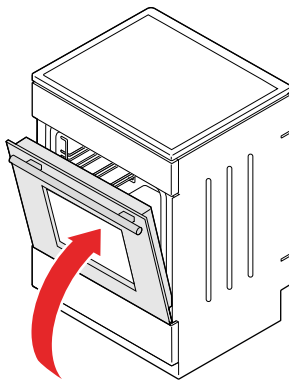
1. Open the oven door fully.



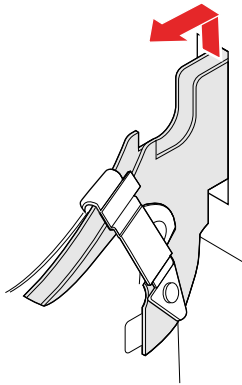
2. Raise up and fold the latches of the door hinges.



3. Fold the door gently to an angle of about 15°.



4. Remove the door: pull out the hinges from the openings.



Install in the reverse order.



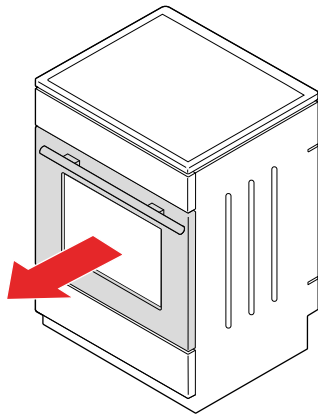
CAUTION!

Make sure the hinges are correctly positioned in their hooks. Otherwise the door may not open and close properly.

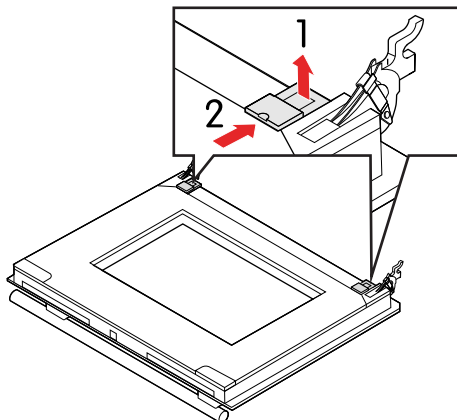
Remove and install the oven door glass panes

Remove the oven door glass pane if it is broken or if you want to clean it.

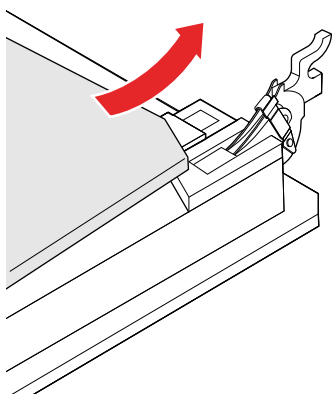
1. Remove the oven door from the appliance.



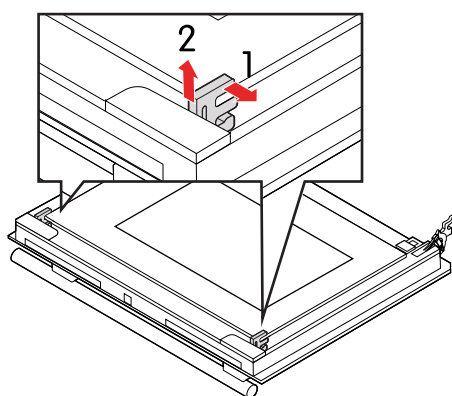
2. Lift the supports a little and pull them off the glass.



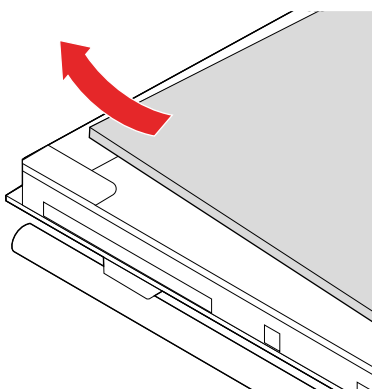
3. Lift up the lower end of the glass pane and remove it.



4. Turn the rubber holders a little and pull them off from the remaining glass pane.



5. Lift up the upper end of the remaining glass pane and remove it.



Install in the reverse order.



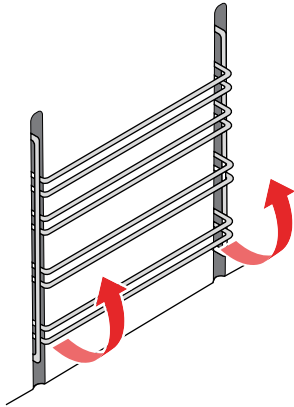
NOTE!

The markings (semicircle) on the door and the glass pane should overlap.

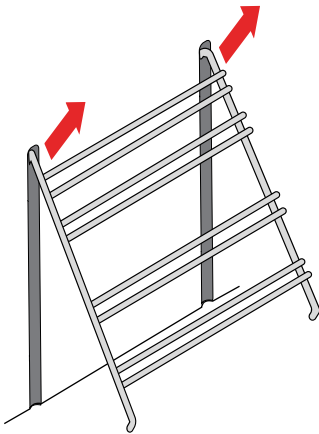
Remove and install the wire guides

Use this procedure to remove and install the wire guides.

1. Pull the bottom side of the guides out from the oven wall.



2. Pull out the guides from the holes at the upper side.



Install the guides in the reverse order.

Power cord wire connections

If the power cord is damaged it must be replaced immediately.



WARNING!

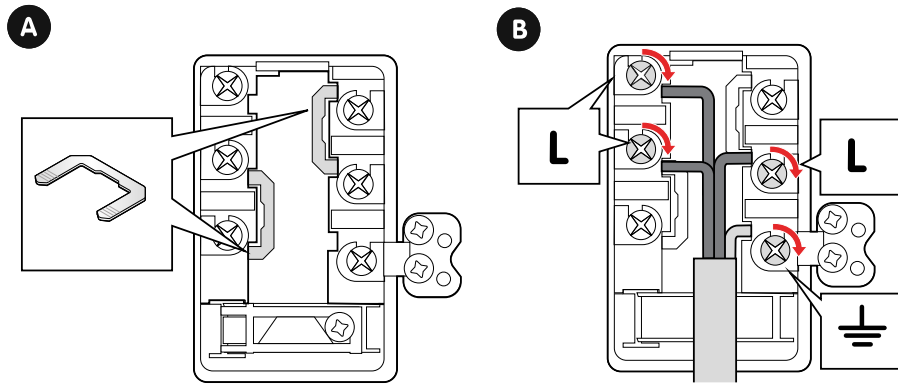
- Do not replace the power cord yourself. If the power cord is damaged, it must be replaced by the manufacturer or authorised technicians to avoid hazard.
- The electrical installation must follow local regulations.
- Use a 4x1.5 mm² cord marked H05VV-F 4G1.5 or better.



NOTE!

Repair or any warranty claim resulting from incorrect connection or use of the product shall not be covered by the warranty.

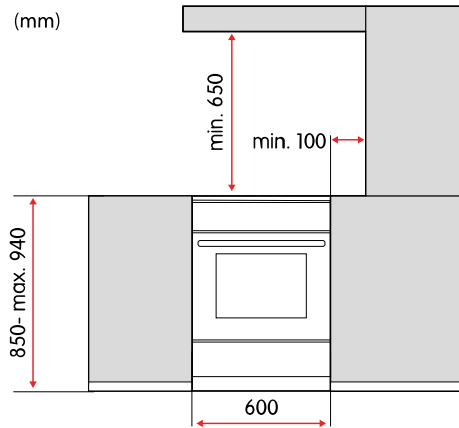
The following illustration shows the power cord wire connections, see A for how to install the bridges and B for how to connect the cable wires.



INSTALLATION

Cooker placement

Make sure to place the oven considering the measurements and other factors described in this section.



WARNING!
Risk of fire!

- Make sure the floor and the adjacent walls are temperature resistant to at least 90 °C.
- Do not install the oven behind a decorative door, as it may become overheated.



WARNING!

The oven is intended to be placed directly on the floor, without any support or plinths.



CAUTION!

Do not install the oven near powerful heat sources, such as solid fuel stoves, as the high temperature may damage the oven.

Secure the cooker to a wall

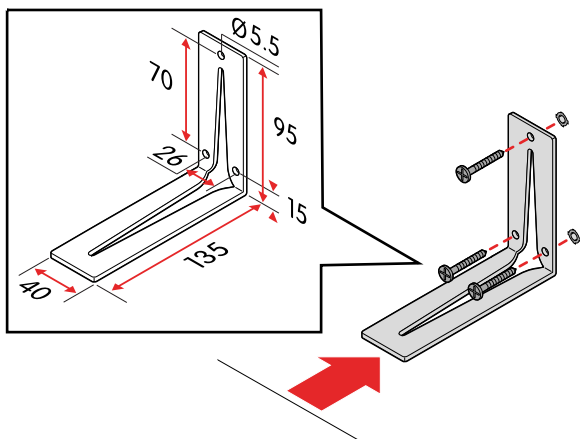
Securing the cooker to a wall will prevent it from tipping over.



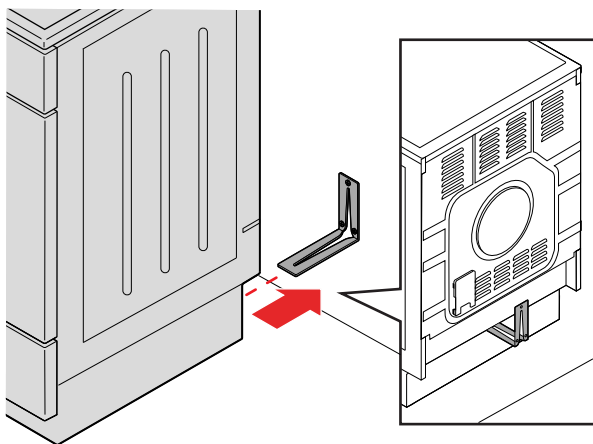
WARNING!

Risk of tipping! Stabilising means must be installed to prevent tipping.

1. Fasten the bracket to the wall using the supplied screws and anchors.
WARNING! If the supplied screws or anchors are not suitable for the wall, make sure you use ones that will ensure a secure installation on the wall.



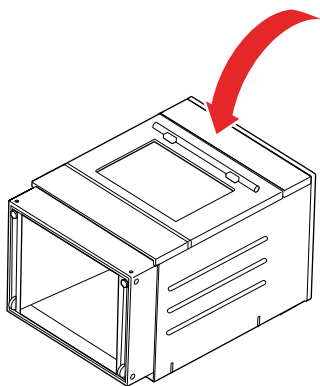
2. Position the cooker to the bracket and fasten it.



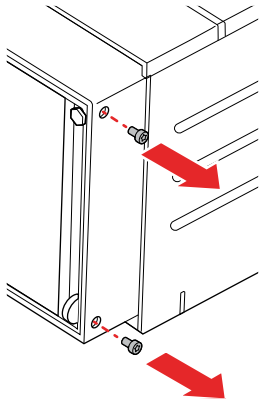
Adjust the height of the cooker

You can adjust the height of the cooker from 850 mm to 940 mm.

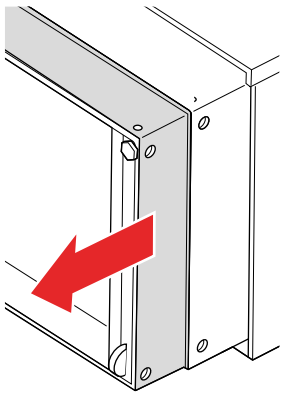
1. Lay the cooker down on the floor on its back.



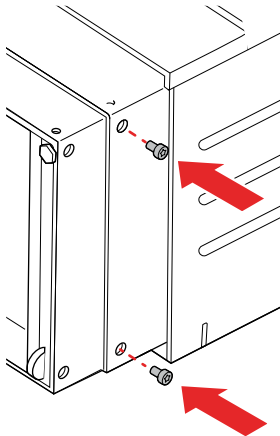
2. Unscrew the screws.



3. Adjust the height.



4. Screw the screws back in.



Level the cooker

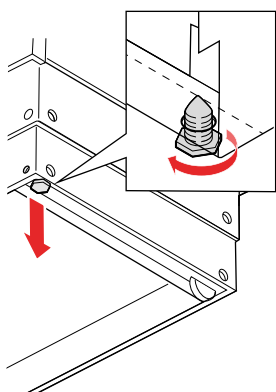
Level your cooker by adjusting the height of the the front feet and the rear wheels individually.



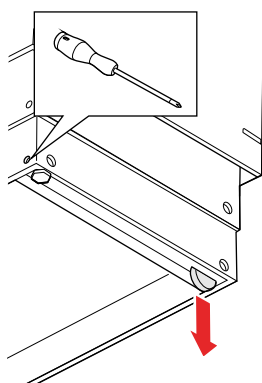
WARNING!

The cooker must be installed horizontally levelled.

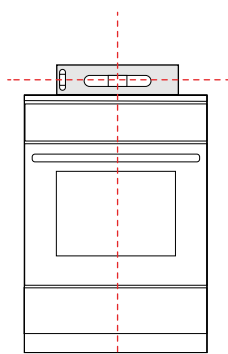
1. Turn the front feet to adjust the height.



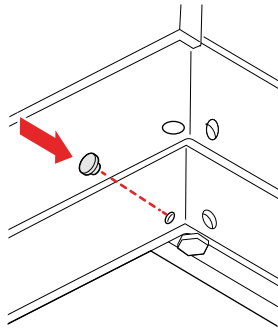
2. Turn the wheel adjustment screws to adjust the height of the rear wheels.



3. Place a spirit level on top of the cooker to check the horizontal position. Adjust if needed.



4. Place the blind plugs into the holes.



Connect the mains power

The cooker is supplied with a mounted power cord ready to plug into a 400 V, 50 Hz socket.



WARNING!

If the product is to be connected with a fixed electrical connection:

- Do not connect the product to the mains yourself. The product may only be connected by an authorised technician.
- For connection, use a 4x1,5 mm² cord marked H05VV-F 4G1,5 or better.



WARNING!

- The electrical installation must follow local regulations.
- Do not use external timers or separate remote control systems to control the product.



CAUTION!

Carefully read the instructions for use before connecting the appliance. Repair or any warranty claim resulting from incorrect connection or use of the appliance shall not be covered by the warranty.

1. Connect the plug to a 400 V, 50 Hz socket.

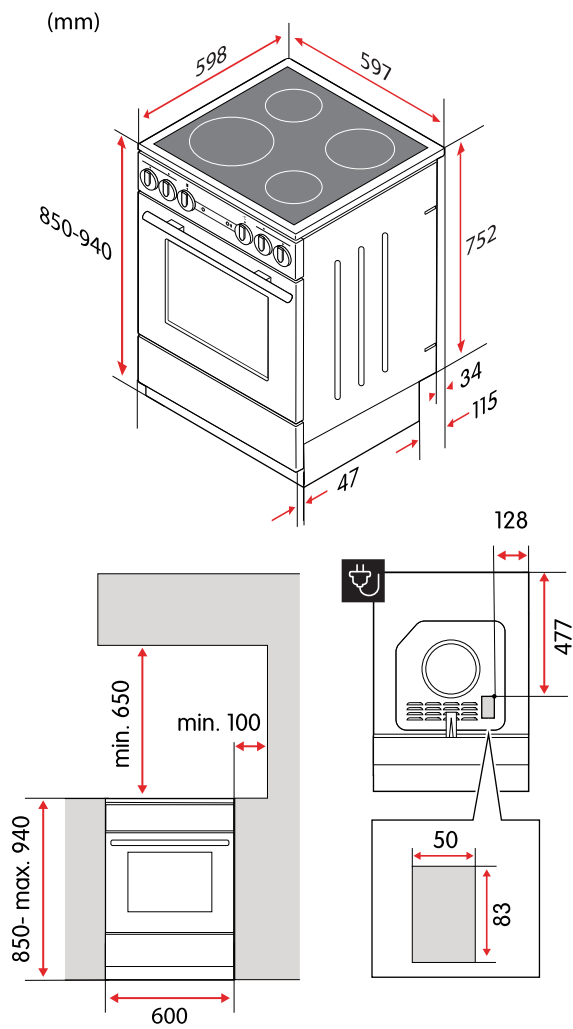
APPENDIX

Specifications

Product code	CCS46401VN-E2
Height	85-94 cm
Width	59.7 cm
Depth	59.8 cm
Weight	46.8 kg
Oven cavity volume	74 l
Power supply	380-415 V 3~, 50 Hz
Electrical connection rating	9 300 W

Cooking zone	Diameter	Power
Front left	21 cm	2.3 kW
Rear left	14.5 cm	1.2 kW
Rear right	18 cm	1.8 kW
Front right	14.5 cm	1.2 kW

Dimensions



EU directives and standards

This product fulfils the applicable EU directives and regulations and carries the CE mark. If not included with the product, a copy of the EU Declaration of Conformity is available on request.

The performance of the product has been tested in compliance with EN 60350-1.

Inhalt

SICHERHEIT	39
Mahnungen.....	39
Verwendungszweck.....	39
Sicherheit für Kinder und Menschen mit Behinderungen.....	39
Allgemeine Sicherheit	40
Sicherheit beim Einbau	40
Sicherheit während des Betriebs	41
Sicherheit bei der Wartung	42
Sicherheitsetiketten	43
Entsorgung	44
SCHNELLSTART	45
Schnellstart Backofen.....	45
Schnellstart Kochfeld.....	46
ERSTE SCHRITTE	47
Bevor Sie den Herd benutzen	47
Kochfeldübersicht	47
Herdbedienung	47
Kindersicherung öffnen.....	47
Ein- und Ausschalten der Kindersicherung am Temperaturwähler.....	48
Zubehör.....	49
KOCHEN MIT DEM KOCHFELD	51
Kochfeldfläche	51
Geeignetes Kochgeschirr	51
Einschalten und Ausschalten der Kochzonen	51
Energie sparen	51
Restwärmearzeige	52
GAREN IM BACKOFEN	53
Garmodi	53
Unterhitze	53
Ober- und Unterhitze	53
Grillen.....	53
Großer Grill	53
WaterClean	53
Pizza.....	53
Backofen ein- und ausschalten	54
Change oven temperature	54
Ändern des Backofenbetriebs	54
Anleitung für den Backofenbetrieb	54
Kabelführungen	55
Empfehlungen zum Grillen	55

Empfehlungen für das Braten	55
Empfehlungen zum Garen	56
REINIGUNG	57
Reinigen Sie die Kochfeldfläche.....	57
Glasflächen reinigen	57
Saubere Oberflächen aus Edelstahl.....	58
Emaill-Oberflächen reinigen	58
Kunststoffteile und lackierte Oberflächen reinigen	58
Den Backofen reinigen.....	58
Verwenden Sie das WaterClean-Programm.....	58
FEHLERSUCHE	60
Die Hauptsicherung in Ihrer Wohnung löst häufig aus.....	60
Die Backofenbeleuchtung funktioniert nicht.....	60
Die Speise ist ungenügend gegart.....	60
Teile ersetzen.....	60
Glühbirne im Backofen austauschen.....	60
Die Backofentür wieder einsetzen.....	62
Entfernen und Einsetzen der Glasscheiben der Backofentür	64
Entfernen und Anbringen der Kabelführungen	65
Kabelverbindungen des Netzkabels	66
INSTALLATION	68
Platzierung des Herdes.....	68
Befestigen Sie den Herd an einer Wand.....	68
Einstellen der Höhe des Herdes	69
Nivellieren Sie den Herd.....	70
Netzstrom anschließen	72
ANHANG	73
Spezifikationen.....	73
Abmessungen	74
EU-Richtlinien und Normen.....	74

SICHERHEIT

Lesen Sie die Anweisungen sorgfältig durch, bevor Sie das Produkt installieren und verwenden. Bewahren Sie die Anleitung auf und bewahren Sie sie in der Nähe des Produkts auf. Bei Nichteinhaltung dieser Anweisungen erlischt jede Art von Garantie.

Mahnungen



WARNUNG!

Wird verwendet, wenn die Gefahr von Personenschäden besteht.



VORSICHT!

Wird verwendet, wenn die Gefahr einer Beschädigung des Produkts besteht.



HINWEIS!

Allgemeine Informationen, die Sie beachten sollten.



Hilfreiche Tipps, die Sie vielleicht nützlich finden.

Verwendungszweck

Dieses Produkt ist bestimmt

- für den Einsatz im Haushalt.
- zum Erhitzen und Kochen verschiedener Lebensmittel.
- um direkt auf den Boden gestellt zu werden, ohne Stützen oder Sockel.

Dieses Produkt ist nicht bestimmt

- für andere Zwecke als das Kochen, z. B. Raumheizung oder ähnliche Zwecke.
- um als Einbaugerät installiert zu werden.
- für die Verwendung im Freien.
- um durch externe Zeitschaltuhren oder separate Steuersysteme gesteuert zu werden.

Sicherheit für Kinder und Menschen mit Behinderungen



WARNUNG!

Lassen Sie die folgenden Personengruppen das Produkt nur verwenden, wenn sie beaufsichtigt werden oder wenn ihnen Anweisungen zur sicheren Verwendung des Geräts gegeben werden. Sie müssen die damit verbundenen Gefahren verstehen.

- Kinder ab 8 Jahren und älter. (Kinder unter 8 Jahren müssen ständig beaufsichtigt werden oder vom Gerät ferngehalten werden).
- Personen mit eingeschränkten körperlichen, sensorischen oder geistigen Fähigkeiten.
- Personen mit mangelnden Erfahrungen und Kenntnissen.



WARNUNG!

- Lassen Sie Kinder nicht mit dem Produkt spielen.
- Lassen Sie Kinder das Produkt nicht unbeaufsichtigt reinigen.



WARNUNG!

Verwenden Sie nur die vom Hersteller vorgesehenen oder empfohlenen Schutzvorrichtungen für Kochfelder. Die Verwendung von ungeeigneten Schutzvorrichtungen für Kochfelder kann zu Unfällen führen.

Allgemeine Sicherheit



WARNUNG!
Brandgefahr!

- Legen Sie keine Gegenstände auf der Kochfläche ab.
- Bewahren Sie keine brennbaren, explosiven, flüchtigen oder temperaturempfindlichen Gegenstände (wie z. B. Papier, Geschirrtücher, Plastiktüten, Reinigungs- oder Waschmittel und Spraydosen) in der Schublade des Backofens auf, da sie sich bei Überbetrieb entzünden und einen Brand verursachen können. Unbeaufsichtigtes Kochen auf einem Kochfeld mit Fett oder Öl kann zu einem Brand führen.
- Versuchen Sie niemals, ein Feuer mit Wasser zu löschen. Schalten Sie stattdessen das Gerät aus und decken Sie die Flamme z. B. mit einem Deckel oder einer feuerfesten Decke ab.



WARNUNG!
Gefahr auf einen elektrischen Schlag!

- Wenn die Kochfläche Risse aufweist, schalten Sie das Gerät sofort aus und trennen Sie es vom Stromnetz. Verwenden oder berühren Sie das Produkt nicht.
- Halten Sie die Netzkabel anderer Geräte in einem sicheren Abstand, damit sie nicht in der Backofentür eingeklemmt werden, da die Kabel beschädigt werden und einen Kurzschluss verursachen können.

Sicherheit beim Einbau



WARNUNG!
Brandgefahr!

- Vergewissern Sie sich, dass der Boden und die angrenzenden Wände eine Temperaturbeständigkeit von mindestens 90 °C aufweisen.
- Installieren Sie das Gerät nicht hinter einer dekorativen Tür, da es sonst überhitzt werden kann.



WARNUNG!
Vergewissern Sie sich, dass alle Verpackungsreste aus dem Garraum entfernt worden sind.



WARNUNG!

- Das Produkt ist dazu bestimmt, direkt auf den Boden gestellt zu werden, ohne jegliche Stützen oder Sockel.
- Wenn die mitgelieferten Schrauben oder Dübel nicht für die Wand geeignet sind, sollten Sie solche verwenden, die eine sichere Montage an der Wand gewährleisten.
- Der Herd muss waagrecht und eben aufgestellt werden.



WARNUNG!
Gefahr auf einen elektrischen Schlag! Schließen Sie das Produkt nicht selbst an das Stromnetz an. Das Produkt darf nur von einem autorisierten Techniker angeschlossen werden.



WARNUNG!

- Die elektrische Installation muss den örtlichen Vorschriften entsprechen.
- Vergewissern Sie sich, dass der Schutzleiter beim Anschluss an das Stromnetz ordnungsgemäß befestigt ist.
- Verwenden Sie für die einphasige Stromversorgung ein 3x4,0 mm² Kabel mit der Kennzeichnung H05VV-F 3G4 oder besser.
- Verwenden Sie für die dreiphasige Stromversorgung ein 5x1,5 mm² Kabel mit der Kennzeichnung H05VV-F 5G1,5 oder besser.
- Verwenden Sie keine externen Zeitschaltuhren oder separate Fernbedienungssysteme zur Steuerung des Produkts.

**VORSICHT!**

Stellen Sie das Gerät nicht in der Nähe von starken Wärmequellen, wie z. B. Festbrennstofföfen, auf, da die hohen Temperaturen das Gerät beschädigen können.

**VORSICHT!**

Lesen Sie die Gebrauchsanweisung sorgfältig durch, bevor Sie das Gerät an das Stromnetz anschließen. Reparaturen oder Garantieansprüche, die auf einen falschen Anschluss oder Gebrauch des Produkts zurückzuführen sind, fallen nicht unter die Garantie.

Sicherheit während des Betriebs

**WARNUNG!**

Überwachen Sie den Kochvorgang kontinuierlich.

**WARNUNG!**

Wenn das Kochfeld bricht, trennen Sie das Gerät sofort vom Stromnetz. Verwenden Sie das Produkt nicht.

**WARNUNG!**

Es besteht Brandgefahr! Vergewissern Sie sich, dass die Lüftungsöffnungen niemals abgedeckt oder in irgendeiner Weise behindert werden.

**WARNUNG!**

Es besteht die Gefahr von Verbrennungen durch Restwärme. Die Kochzone wird indirekt durch das beheizte Kochgeschirr erhitzt und bleibt auch nach dem Ausschalten noch eine Weile heiß.

**WARNUNG!**

Verbrennungsgefahr!

- Kochgeschirr und zugängliche Teile des Produkts können während des Gebrauchs sehr heiß werden. Berühren Sie keine heißen Teile.
- Die Backofentür kann während des Betriebs sehr heiß werden.
- Legen Sie keine Metallgegenstände wie Messer, Gabeln, Löffel oder Deckel auf die Kochzonen, da diese Gegenstände sehr heiß werden können.

**WARNUNG!**

- Verwenden Sie die Grillfunktion nur bei geschlossener Backofentür.
- Verwenden Sie Ofenhandschuhe oder eine Fleischzange. Der Grillheizer, der Rost und anderes Backofenzubehör werden beim Grillen sehr heiß.

**VORSICHT!**

- Die Oberfläche ist sehr widerstandsfähig gegen Temperaturschwankungen, kann aber durch herabfallende, schwere Gegenstände beschädigt werden. Die Oberfläche kann sofort oder eine Weile nach dem Aufprall brechen.
- Achten Sie darauf, dass die Kochzone und der Boden des Kochgeschirrs sauber und trocken sind, um die Leistung zu verbessern und Oberflächenschäden zu vermeiden.
- Wenn Zucker oder stark zuckerhaltige Lebensmittel über die heiße Oberfläche verschüttet werden, verwenden Sie sofort ein Tuch oder einen Schaber, um den Zucker von der heißen Oberfläche zu entfernen. Andernfalls könnte die Oberfläche beschädigt werden.
- Verwenden Sie niemals Waschmittel oder andere Reinigungsmittel, um eine heiße Oberfläche zu reinigen.
- Verwenden Sie das Kochfeld nicht als Ablagefläche, da dies zu Kratzern oder Schäden führen kann.

**VORSICHT!**

Drehen Sie den Temperaturwähler nicht unter die Nullstellung, wenn Sie die Backofentemperatur ändern. Dadurch kann der Thermostat beschädigt werden.

**VORSICHT!**

- Vergewissern Sie sich, dass der Boden der Töpfe und Pfannen dem Durchmesser der Kochzone entspricht. Wenn das Kochgeschirr zu klein ist, geht ein Teil der Wärme verloren und die Kochzone kann beschädigt werden.
- Legen Sie die Backofenwände nicht mit Alufolie aus. Alufolie verhindert die Luftzirkulation im Backofen, behindert den Garprozess und zerstört die Emailleschicht.
- Stellen Sie keine Backbleche oder anderes Kochgeschirr auf den Boden des Backofens.
- Setzen Sie das tiefe Backblech nicht in die erste Führung ein.

Sicherheit bei der Wartung

**WARNUNG!**

Gefahr auf einen elektrischen Schlag!

- Versuchen Sie nicht, Reparaturen selbst durchzuführen. Manipulationen am Produkt und nicht fachmännische Reparaturen können zu Verletzungen oder Schäden am Produkt führen. Außerdem wird dadurch die Garantie ungültig. Wenden Sie sich stattdessen an einen Servicetechniker.
- Tauschen Sie das Netzkabel nicht selbst aus. Wenn das Netzkabel beschädigt ist, muss es durch den Hersteller oder autorisierte Techniker ersetzt werden, um Gefahren zu vermeiden.

**WARNUNG!**

Gefahr auf einen elektrischen Schlag! Trennen Sie das Gerät vor dem Auswechseln der Glühbirne immer vom Stromnetz.

**WARNUNG!**

Schützen Sie sich beim Entfernen einer alten Glühbirne, um Verbrennungen zu vermeiden.

**WARNUNG!**

Lassen Sie Kinder das Produkt nicht unbeaufsichtigt reinigen.

**WARNUNG!**

Gefahr auf einen elektrischen Schlag!

- Trennen Sie das Gerät vor der Reinigung vom Stromnetz.
- Verwenden Sie zur Reinigung des Geräts keine Dampfreiniger oder Hochdruckreiniger, da dies zu einem Stromschlag führen kann.

**WARNUNG!**

Vergewissern Sie sich vor dem Einbau, dass die Scharnierverschlüsse richtig in den seitlichen Latten der Tür sitzen. Dadurch wird verhindert, dass sich die Scharniere plötzlich schließen, wodurch Sie sich verletzen oder die Tür beschädigt werden kann.

**VORSICHT!**

- Warten Sie immer, bis das Produkt abgekühlt ist, bevor Sie es reinigen.
- Stellen Sie sicher, dass der Backofen abgekühlt ist, bevor Sie das WaterClean-Programm starten.

**VORSICHT!**

- Verwenden Sie keine Stahlwolle, grobe Reinigungsschwämme oder Scheuermittel, da diese die Oberfläche verkratzen können. Aggressive Spritzreiniger, Entkalkungsmittel und andere ungeeignete Flüssigreiniger können die Oberfläche ebenfalls beschädigen.
- Verwenden Sie zum Reinigen von Glasoberflächen keine groben Scheuermittel oder scharfe Metallschaber, da diese die Oberfläche zerspringen und das Glas zerbrechen lassen könnten.
- Verwenden Sie zur Reinigung von Edelstahlfleichen keine Scheuermittel oder lösungsmittelhaltigen Reiniger, da diese die Oberfläche beschädigen können.
- Verwenden Sie keine Scheuermittel oder Werkzeuge für die Reinigung von emaillierten Oberflächen, da diese dauerhafte Schäden verursachen können.
- Verwenden Sie zur Reinigung von Kunststoffteilen und lackierten Oberflächen keine Scheuermittel, Scheuermittelwerkzeuge oder Reiniger auf Alkoholbasis.
- Achten Sie darauf, dass Sie nach der Reinigung alle Reinigungsmittelreste gründlich von der Oberfläche entfernen, da diese beim nächsten Aufheizen der Kochstellen die Oberfläche beschädigen können.

**VORSICHT!**

- Wenn Zucker oder stark zuckerhaltige Lebensmittel über die heiße Oberfläche verschüttet werden, verwenden Sie sofort ein Tuch oder einen Schaber, um den Zucker von der heißen Oberfläche zu entfernen. Andernfalls könnte die Oberfläche beschädigt werden.
- Verwenden Sie niemals Waschmittel oder andere Reinigungsmittel, um eine heiße Oberfläche zu reinigen.

**VORSICHT!**

Lehnen Sie sich beim Reinigen des Garraums nicht gegen die offene Tür. Stellen Sie sich niemals auf die offene Backofentür und lassen Sie Kinder nicht darauf sitzen. Die Scharniere der Backofentür können bei übermäßiger Belastung beschädigt werden.

**VORSICHT!**

Reinigen Sie die Teleskopführungen nicht in der Spülmaschine.

**VORSICHT!**

Achten Sie beim Auswechseln der Glühbirne darauf, die Emaillebeschichtung nicht zu beschädigen.

Sicherheitsetiketten

Diese Sicherheitsetiketten befinden sich auf dem Produkt.



Vorsicht! Kippgefahr.



Achtung! Um ein Umkippen zu verhindern, müssen Stabilisierungsvorrichtungen angebracht werden.

Entsorgung



Entsorgen Sie die Verpackung in einer umweltfreundlichen Weise. Die Wiederverwertung von Verpackungen unter Beachtung nationaler und lokaler Vorschriften kann den Verbrauch von Rohstoffen und die Abfallmenge auf Deponien reduzieren.

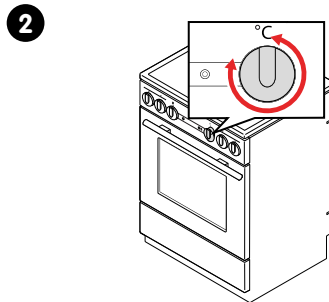
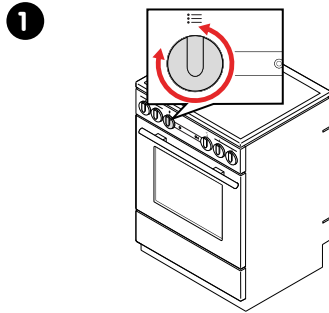
Dieses Produkt ist gemäß der europäischen Richtlinie 2012/19/EU über Elektro- und Elektronik-Altgeräte (WEEE) gekennzeichnet. Das Symbol auf dem Produkt oder auf seiner Verpackung bedeutet, dass dieses Produkt nicht als Hausmüll behandelt werden sollte. Es muss stattdessen einer entsprechenden Sammelstelle für das Recycling von Elektro- und Elektronikgeräten übergeben werden.

Durch die ordnungsgemäße Entsorgung dieses Produkts tragen Sie dazu bei, mögliche negative Folgen für die Umwelt und die menschliche Gesundheit zu vermeiden, die andernfalls durch unsachgemäßen Umgang bei der Entsorgung dieses Produkts verursacht werden könnten. Für weitere Informationen zur Wiederverwertung dieses Produkts wenden Sie sich bitte an die zuständige kommunale Entsorgungsbehörde, Ihren Hausmüllentsorgungsdienst oder das Geschäft, in dem Sie das Produkt gekauft haben.

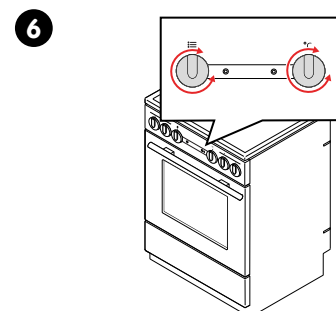
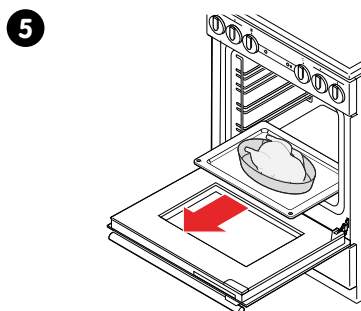
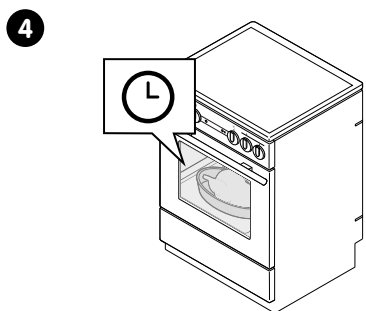
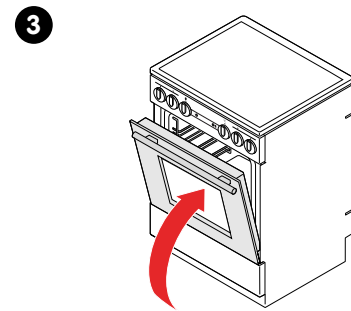
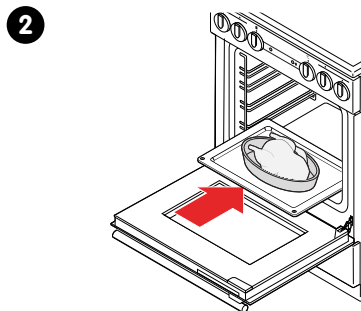
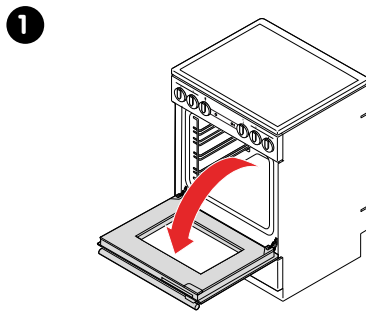
SCHNELLSTART

Schnellstart Backofen

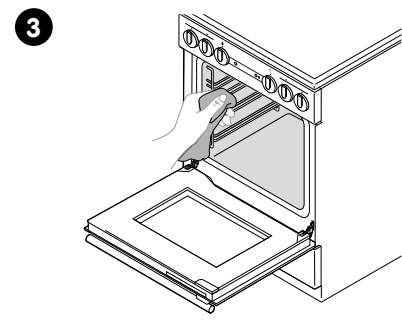
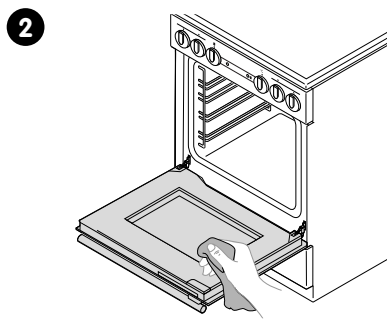
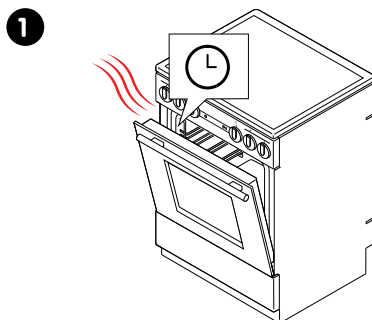
Backofenbetrieb und Temperatur auswählen



Kochen

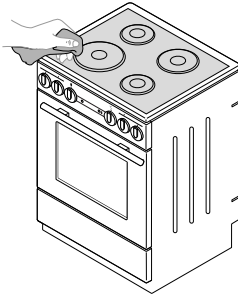


Nach dem Garen

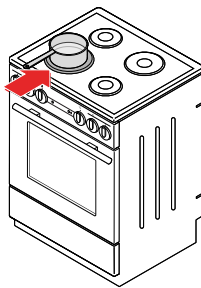
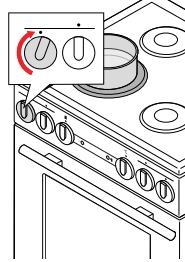
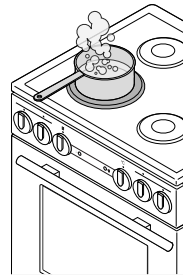
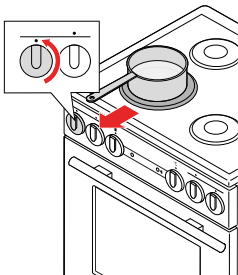


Schnellstart Kochfeld

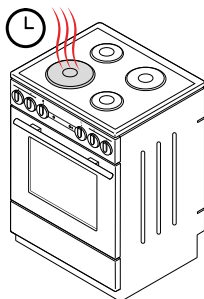
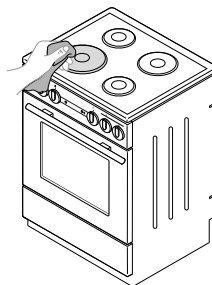
Vor dem Garen

1

Kochen

1**2****3****4**

Nach dem Garen

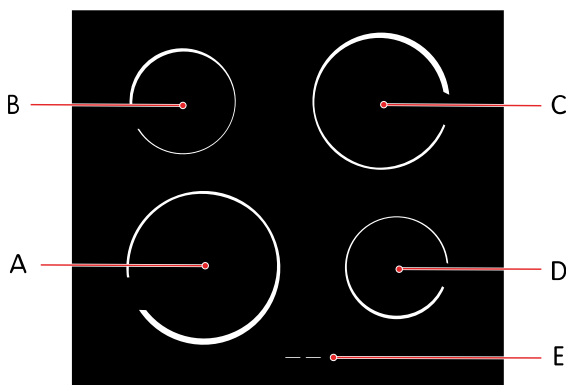
1**2**

ERSTE SCHRITTE

Bevor Sie den Herd benutzen

1. Entfernen Sie alle Transportverpackungen und Zubehörteile vom Herd.
2. Reinigen Sie alle Zubehörteile und Utensilien mit warmem Wasser und normalem Reinigungsmittel. Verwenden Sie keine scheuernden Reinigungsmittel.
3. Reinigen Sie die Glaskeramikoberfläche des Kochfeldes mit einem feuchten Tuch und etwas Spülmittel. Verwenden Sie keine aggressiven Reinigungsmittel, wie Scheuersmittel, die Kratzer verursachen können, Scheuerschwämme oder Fleckenentferner.
4. Den Backofen ohne Lebensmittel auf 275 ° C für 60 Minuten aufheizen. Lüften Sie den Raum, da der Herd den charakteristischen Geruch eines neuen Geräts nicht mehr annimmt.
WARNUNG! Vergewissern Sie sich, dass alle Verpackungsreste aus dem Garraum entfernt worden sind.

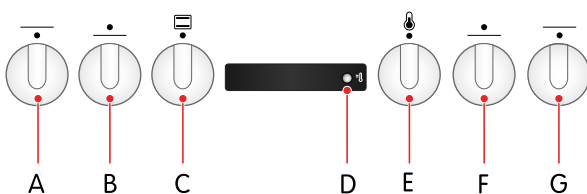
Kochfeldübersicht



- A. Vordere linke Kochzone
- B. Hintere linke Kochzone
- C. Hintere rechte Kochzone
- D. Vordere rechte Kochzone
- E. Restwärmeanzeige

Herdbedienung

Drehen Sie die Wahlschalter, um den Herd zu bedienen.



- A. Leistungsschalter für die vordere linke Kochzone
- B. Leistungsschalter für die hintere linke Kochzone
- C. Wahlschalter für den Backofenbetrieb
- D. Temperaturkontrollleuchte (rot)
- E. Temperaturwahlschalter für den Backofen
- F. Leistungsschalter für die hintere rechte Kochzone
- G. Leistungsschalter für die vordere rechte Kochzone

Leuchten

Die Temperaturanzeige leuchtet auf, wenn der Backofen aufgeheizt wird, und erlischt, wenn der Backofen die gewählte Temperatur erreicht hat.

Kindersicherung öffnen

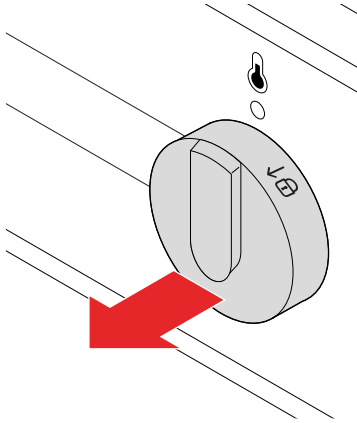
Die Backofentür verriegelt automatisch, wenn Sie sie schließen.

1. Drücken Sie die Kindersicherung mit Ihrem Daumen leicht nach rechts.
2. Ziehen Sie die Backofentür auf, während Sie die Kindersicherung noch drücken.

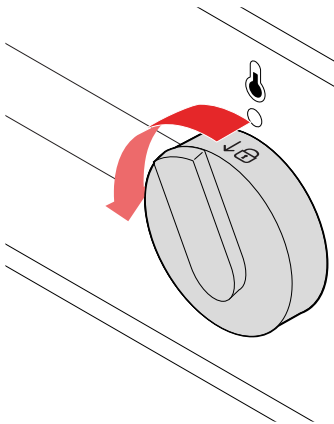
Ein- und Ausschalten der Kindersicherung am Temperaturwähler

Schalten Sie die Kindersicherung ein

1. Ziehen Sie den Temperaturwähler nach außen.

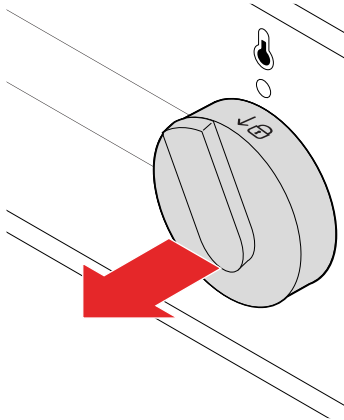


2. Drehen Sie den Temperaturwähler um 15° auf $\downarrow \text{Ⓜ}$ und lassen Sie ihn los. Der Wahlschalter ist nun verriegelt und die Kochzonen und der Backofen können nicht mehr eingeschaltet werden, so dass Kinder sie nicht versehentlich einschalten können.

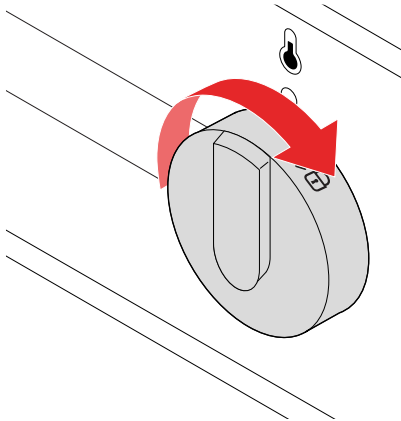


Schalten Sie die Kindersicherung aus

1. Ziehen Sie den Temperaturwähler nach außen.

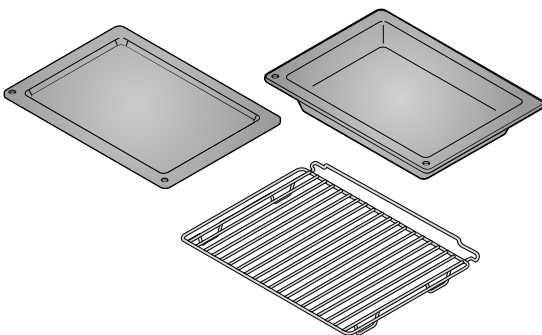


2. Drehen Sie den Temperaturwähler um 15° im Uhrzeigersinn und lassen Sie ihn los. Der Wahlschalter wird entriegelt und die Kochzonen und der Backofen können eingeschaltet werden.



Zubehör

Der Herd wird mit einigen nützlichen Zubehörteilen geliefert, die Ihr Kocherlebnis verbessern.



Flache Bleche

Zum Backen von Gebäck oder als Abtropfschale.

Extra tiefes Blech

Zum Braten großer Mengen von Gemüse und Fleisch oder zum Einmachen von Lebensmitteln.

Rost

Zum Grillen von Fleisch oder Fisch.

KOCHEN MIT DEM KOCHFELD

Kochfeldfläche

Die Oberfläche des Kochfeldes besteht aus einem massiven Glaskeramikmaterial. Hier finden Sie einige Hinweise zur Verwendung und Pflege der Oberfläche.

- Die Oberfläche ist sehr widerstandsfähig gegen Temperaturschwankungen, kann aber durch herabfallende, schwere Gegenstände beschädigt werden. Die Oberfläche kann sofort oder eine Weile nach dem Aufprall brechen.



WARNUNG!

Wenn das Feld bricht, trennen Sie das Gerät sofort vom Stromnetz. Verwenden Sie das Produkt nicht.

- Achten Sie darauf, dass die Kochzone und der Boden des Kochgeschirrs sauber und trocken sind, um die Leistung zu verbessern und Oberflächenschäden zu vermeiden.



VORSICHT!

Wenn Zucker oder stark zuckerhaltige Lebensmittel über die heiße Oberfläche verschüttet werden, verwenden Sie sofort ein Tuch oder einen Schaber, um den Zucker von der heißen Oberfläche zu entfernen. Andernfalls könnte die Oberfläche beschädigt werden.

Verwenden Sie niemals Waschmittel oder andere Reinigungsmittel, um eine heiße Oberfläche zu reinigen.

- Verwenden Sie das Kochfeld nicht als Ablagefläche, da dies zu Kratzern oder Schäden führen kann.

Geeignetes Kochgeschirr

Um beste Ergebnisse zu erzielen und Schäden zu vermeiden, sollten Sie geeignetes Kochgeschirr verwenden.

- Verwenden Sie hochwertiges Kochgeschirr mit einem flachen und stabilen Boden.
- Vergewissern Sie sich, dass der Boden des Kochgeschirrs dem Durchmesser der Kochzone entspricht.



Beachten Sie beim Kauf von Kochgeschirr, dass sich der angegebene Durchmesser in der Regel auf den oberen Rand oder den Deckel bezieht, der normalerweise größer ist als der Durchmesser des Bodens.

- Kochgeschirr aus gehärtetem Glas mit einem speziell geschliffenen Boden kann verwendet werden, wenn sein Durchmesser in die Kochzone passt. Kochgeschirr mit größerem Durchmesser kann aufgrund der thermischen Spannungen Risse bekommen.

Einschalten und Ausschalten der Kochzonen

1. Drehen Sie den Drehschalter, um die Kochzone einzuschalten.
Sie können die Heizleistung in Stufen von 1 bis 9 einstellen.
Die Hitze einer Kochzone wird durch stufenweises Ein- und Ausschalten der Leistung geregelt. Die Länge des Intervalls hängt von der eingestellten Leistungsstufe ab.
2. Schalten Sie die Kochzone aus, indem Sie den Drehschalter auf 0 drehen.

Energie sparen

Hier sind einige Tipps, wie Sie Energie sparen können.

- Vergewissern Sie sich, dass der Boden des Kochgeschirrs dem Durchmesser der Kochzone entspricht. Wenn das Kochgeschirr zu klein ist, geht ein Teil der Wärme verloren und die Kochzone kann beschädigt werden.
- Verwenden Sie Kochgeschirr, das für die Menge der zu kochenden Speisen geeignet ist. Die Verwendung von größerem Kochgeschirr als erforderlich verbraucht mehr Energie.
- Wenn möglich, decken Sie das Kochgeschirr mit einem Deckel ab.

- Wenn ein Gericht lange zum Kochen braucht, verwenden Sie einen Schnellkochtopf.
- Gemüse, Kartoffeln usw. können in einer geringeren Menge Wasser gekocht werden. Die Speisen werden genauso gut gegart, solange das Kochgeschirr mit einem Deckel fest verschlossen ist. Nachdem Sie das Wasser zum Kochen gebracht haben, reduzieren Sie die Hitze auf eine Stufe, die gerade ausreicht, um ein langsames Köcheln aufrechtzuerhalten.

Restwärmanzeige

Die Kochstellen bleiben auch nach dem Ausschalten noch eine Weile heiß. Eine heiÙe Kochzone wird durch die Restwärmanzeige angezeigt. Die Anzeige erlischt, wenn die Kochzone abgekühlt ist.

Die Restwärmanzeige leuchtet auch, wenn heißes Kochgeschirr auf eine kühle Kochzone gestellt wird.



WARNUNG!

Es besteht die Gefahr von Verbrennungen durch Restwärme.

GAREN IM BACKOFEN

- Verwenden Sie dunkle, schwarze, silikonbeschichtete oder emaillierte Backbleche. Sie leiten die Wärme besser weiter.
- Wenn Sie viele Gebäcksorten nacheinander backen, sparen Sie Energie, da der Ofen bereits heiß ist. Das Aufheizen eines abgekühlten Backofens verbraucht mehr Energie.
- Während des Garvorgangs kann sich an der Innenseite des Ofens Dampf bilden. Der Dampf kann sich an der Tür und am Deckel des Herdes niederschlagen. Dies ist ein normales Verhalten und beeinträchtigt den Betrieb des Herdes nicht. Wischen Sie das Kondenswasser mit einem Tuch ab.
- Wenn Sie das Gericht nach dem Garen im Backofen lassen, kann der Dampf verdampfen und sich an der Frontplatte und der Backofentür niederschlagen.



Sie können den Backofen etwa 10 Minuten vor Ende des Garvorgangs ausschalten. Dadurch wird Energie gespart, da die bereits erzeugte Wärme genutzt wird.

Garmodi

Unterhitze



Verwenden Sie diesen Backofenmodus, um die Unterseite der Speisen zu bräunen. Die Unterhitze strahlt die Wärme auf die Unterseite der Speisen ab. Empfohlene Temperatur: 180 °C.

Ober- und Unterhitze



Verwenden Sie diesen Backofenmodus, um Fleisch oder Gebäck zu garen, das nur auf einer einzigen Höhenstufe gebacken oder gebraten werden kann. Ober- und Unterhitze sorgen für eine gleichmäßige Wärmeabstrahlung im Ofen. Empfohlene Temperatur: 200 °C.

Grillen



Verwenden Sie diesen Backofenmodus, um kleine Mengen an offenen Brötchen, Bierwürsten oder Toastbrot zu grillen. In diesem Modus ist nur der Grillheizer eingeschaltet. Empfohlene Temperatur: 230 °C.

Großer Grill



Verwenden Sie diesen Backofenmodus, um kleine Mengen an offenen Brötchen, Bierwürsten oder Toastbrot zu grillen. In diesem Modus sind sowohl der Grillheizer als auch die Oberhitze eingeschaltet. Empfohlene Temperatur: 230 °C.

WaterClean



Verwenden Sie diesen Ofenmodus, um Flecken und Speisereste aus dem Backofen zu entfernen. Nur die Unterhitze strahlt Wärme ab. Das Programm dauert 30 Minuten. Empfohlene Temperatur: 70 °C.

Pizza



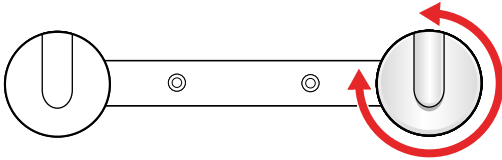
Die Pizzafunktion verwendet eine hohe Temperatur, die die Pizza in sehr kurzer Zeit mit einer saftigen Kruste backt. Verwenden Sie diesen Ofenmodus, um Ihre perfekte Pizza zu backen. Empfohlene Temperatur: 190 °C - 200 °C.

Backofen ein- und ausschalten

1. Drehen Sie den Wahlschalter für den Backofenbetrieb auf eine der Betriebsmodi, um ihn einzuschalten.
2. Drehen Sie den Wahlschalter für den Ofenmodus auf **0**, um ihn auszuschalten.

Change oven temperature

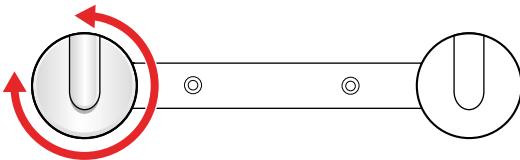
Select a suitable temperature for what you are cooking.



1. Turn the temperature selector clockwise to increase the temperature or anticlockwise to lower the temperature.
CAUTION! Do not turn the selector below the zero position. This can damage the thermostat.
The temperature range is 50-275°C.

Ändern des Backofenbetriebs

Wählen Sie den geeigneten Backofenbetrieb für das, was Sie zubereiten möchten.



1. Drehen Sie den Wahlschalter im oder gegen den Uhrzeigersinn, um zwischen den verfügbaren Betriebsarten zu wechseln.



Der Modus kann auch während des Betriebs geändert werden.

Anleitung für den Backofenbetrieb

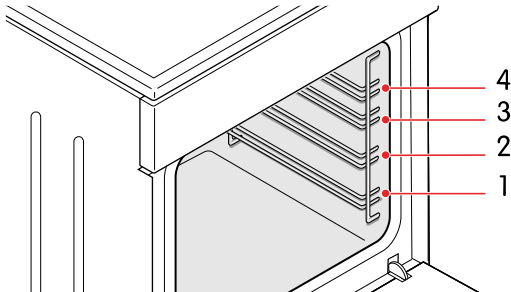
Finden Sie anhand der folgenden Tabelle den für Ihre Bedürfnisse am besten geeigneten Backofenbetrieb.

Backofenbetrieb	Lebensmittelart	Anleitung für den Backofenbetrieb
Braten	Fleisch	
Grillen	Offene Brötchen, Bierwürste	
	Offene Brötchen, Bierwürste	
Braun	Obere Seite der Lebensmittel	
	Obere Seite der Lebensmittel	
Backen	Gebäck auf einer Ebene	

Backofenbetrieb	Lebensmittelart	Anleitung für den Backofenbetrieb
Toast	Brot	
		

Kabelführungen

Mit den Kabelführungen können Sie zwischen 4 verschiedenen Ebenen wählen, wenn Sie einen Rost oder ein Blech in den Backofen einschieben. Die Ebenen/Führungen werden von unten nach oben gezählt.



Der Backofen kann sowohl mit als auch ohne die Führungen sicher verwendet werden.



VORSICHT!

Stellen Sie keine Backbleche oder anderes Kochgeschirr auf den Boden des Ofens.

Empfehlungen zum Grillen

Beachten Sie diese Empfehlungen beim Grillen.



WARNUNG!

Verwenden Sie die Grillfunktion nur bei geschlossener Backofentür.



WARNUNG!

Verwenden Sie Ofenhandschuhe oder eine Fleischzange. Der Grillheizer, der Rost und anderes Ofenzubehör werden beim Grillen sehr heiß.

- Heizen Sie den Grill etwa 5 Minuten vor, bevor Sie ihn benutzen.
- Beobachten Sie die Lebensmittel regelmäßig. Aufgrund der hohen Temperatur können die Speisen schnell anbrennen.
- Bestreichen Sie den Rost mit Öl, damit das Fleisch beim direkten Grillen nicht kleben bleibt. Verwenden Sie den 4. Leitfaden.
- Setzen Sie die Tropfschale in die 1. oder 2. Führung ein.
- Achten Sie bei der Verwendung eines Backblechs darauf, dass genügend Flüssigkeit in der Schale vorhanden ist. Andernfalls können sie Speisen anbrennen.
- Wenden Sie das Fleisch.
- Reinigen Sie den Ofen, das Zubehör und die Utensilien, wenn Sie mit dem Grillen fertig sind.

Empfehlungen für das Braten

Beachten Sie diese Empfehlungen beim Braten.

- Verwenden Sie beschichtete Töpfe, gehärtetes Glas, Ton oder ein gusseisernes Blech.

**HINWEIS!**

Verwenden Sie keine Bleche aus Edelstahl. Sie reflektieren Wärme stark.

- Verwenden Sie beim Garen genügend Flüssigkeit, damit das Fleisch nicht anbrennt.
- Das Fleisch abdecken, damit es saftig bleibt.

Empfehlungen zum Garen

Beachten Sie diese Empfehlungen beim Backen.

- Das Vorwärmen wird empfohlen.
- Sie können Kekse und Plätzchen in flachen Backblechen auf mehreren Ebenen (zweite und dritte Ebene) gleichzeitig backen.

**HINWEIS!**

Die Kekse oder Plätzchen auf dem oberen Backblech können früher fertig sein als die auf dem unteren.

- Legen Sie die Backbleche immer auf den Rost. Entfernen Sie das Gitter, wenn Sie das mitgelieferte Backblech verwenden.

**VORSICHT!**

Setzen Sie das tiefe Backblech nicht in die erste Führung ein.

- Backen Sie die Kekse in ähnlicher Dicke, damit sie gleichmäßig braun werden.
- Backzubehör kann seine Form verändern, wenn es heiß wird. Ihre Funktionen werden dadurch nicht beeinträchtigt und sie kehren in ihre ursprüngliche Form zurück, wenn sie abkühlen.

REINIGUNG

Achten Sie darauf, Ihr Produkt regelmäßig zu reinigen, damit es länger hält und ein gutes Aussehen behält.



WARNUNG!

Lassen Sie Kinder das Produkt nicht unbeaufsichtigt reinigen.



WARNUNG!

Gefahr auf einen elektrischen Schlag!

- Trennen Sie das Gerät vor der Reinigung vom Stromnetz.
- Verwenden Sie zur Reinigung des Geräts keine Dampfreiniger oder Hochdruckreiniger, da dies zu einem Stromschlag führen kann.



VORSICHT!

Warten Sie immer, bis das Produkt abgekühlt ist, bevor Sie es reinigen.

Reinigen Sie die Kochfeldfläche

Reinigen Sie die Glaskeramikoberfläche Ihres Kochfeldes immer auf die richtige Weise, um eine lange Lebensdauer und ein gutes Aussehen zu gewährleisten.



VORSICHT!

- Verwenden Sie keine Stahlwolle, grobe Reinigungsschwämme oder Scheuermittel, da diese die Oberfläche verkratzen können. Aggressive Spritzreiniger, Entkalkungsmittel und andere ungeeignete Flüssigreiniger können die Oberfläche ebenfalls beschädigen.
- Achten Sie darauf, dass Sie nach der Reinigung alle Reinigungsmittelreste gründlich von der Oberfläche entfernen, da diese beim nächsten Aufheizen der Kochstellen die Oberfläche beschädigen können.



VORSICHT!

Wenn Zucker oder stark zuckerhaltige Lebensmittel über die heiße Oberfläche verschüttet werden, verwenden Sie sofort ein Tuch oder einen Schaber, um den Zucker von der heißen Oberfläche zu entfernen. Andernfalls könnte die Oberfläche beschädigt werden.

Verwenden Sie niemals Waschmittel oder andere Reinigungsmittel, um eine heiße Oberfläche zu reinigen.

- Verwenden Sie zur Reinigung des Kochfeldes spezielle Pflegemittel, die einen Schutzfilm bilden, der verhindert, dass Schmutz auf der Oberfläche haften bleibt.
- Entfernen Sie kleinere Verunreinigungen mit einem feuchten, weichen Tuch und wischen Sie die Oberfläche trocken.
- Entfernen Sie Wasserflecken mit einer milden Essiglösung. Achten Sie darauf, dass Sie diese Lösung nicht auf dem Rahmen verwenden, da dieser sonst seinen Glanz verliert.
- Bei hartnäckigen Verschmutzungen verwenden Sie spezielle Glaskeramikreiniger und beachten Sie die Anweisungen des Herstellers. Wenn nichts anderes hilft, entfernen Sie hartnäckigen Schmutz mit einem Schaber. Halten Sie den Schaber im richtigen Winkel (45° bis 60°), drücken Sie den Schaber leicht gegen das Glas und schieben Sie ihn, um den Schmutz zu entfernen.

Eine Verfärbung der Glaskeramikoberfläche ist in der Regel die Folge von eingebrannten Speiseresten oder der Verwendung von Kochgeschirr aus ungeeignetem Material (wie Aluminium oder Kupfer). Solche Verfärbungen lassen sich nur sehr schwer vollständig entfernen, beeinträchtigen aber die Funktion des Kochfeldes nicht und fallen daher nicht unter die Garantie.

Glasflächen reinigen

Reinigen Sie Glasflächen mit Geräten und Mitteln, die für die Reinigung von Glas, Spiegeln und Fenstern vorgesehen sind.



VORSICHT!

Verwenden Sie zum Reinigen keine groben Scheuermittel oder scharfe Metallschaber, da diese die Oberfläche zerspringen und das Glas zerbrechen lassen könnten.

Saubere Oberflächen aus Edelstahl

Reinigen Sie Edelstahloberflächen mit einem milden Reinigungsmittel und einem weichen Schwamm, der die Oberfläche nicht zerkratzt.



VORSICHT!

Verwenden Sie zur Reinigung keine Scheuermittel oder lösungsmittelhaltigen Reiniger, da diese die Oberfläche beschädigen können.

Emaille-Oberflächen reinigen

Emaille-Oberflächen mit einem feuchten Schwamm reinigen. Entfernen Sie Fettflecken mit warmem Wasser und einem speziellen Reinigungsmittel für Emaille.



VORSICHT!

Reinigen Sie Emaille-Oberflächen nicht mit Scheuermitteln oder Werkzeugen, da dies zu dauerhaften Schäden führen kann.

Kunststoffteile und lackierte Oberflächen reinigen

Entfernen Sie eventuelle Flecken auf Kunststoffteilen und lackierten Oberflächen sofort mit einem weichen, nicht scheuernden Tuch und etwas Wasser. Sie können auch Reinigungsmittel und -geräte verwenden, die für Kunststoff- und lackierte Oberflächen bestimmt sind. Befolgen Sie die Anweisungen des Herstellers.



VORSICHT!

Verwenden Sie keine Scheuermittel, Scheuerwerkzeuge oder Reinigungsmittel auf Alkoholbasis.

Den Backofen reinigen

Reinigen Sie den Garraum regelmäßig.



VORSICHT!

Lehnen Sie sich beim Reinigen des Garraums nicht gegen die offene Tür. Stellen Sie sich niemals auf die offene Backofentür und lassen Sie Kinder nicht darauf sitzen. Die Scharniere der Backofentür können bei übermäßiger Belastung beschädigt werden.



VORSICHT!

Verwenden Sie keine Scheuermittel. Diese zerkratzen emaillierte Oberflächen.

- Reinigen Sie die Backofenwände mit einem feuchten Schwamm und Spülmittel. Verwenden Sie ein spezielles Emaille-Reinigungsmittel für eingebrannte Flecken.
- Wischen Sie den Backofen nach der Reinigung sorgfältig trocken.
- Reinigen Sie die Kabelführungen und Teleskopführungen mit einem herkömmlichen Reinigungsmittel.



VORSICHT!

Reinigen Sie die Teleskopführungen nicht in der Spülmaschine.

- Reinigen Sie die Backofenutensilien mit einem Schwamm und Spülmittel. Für grobe Flecken oder Verbrennungen können Sie spezielle Reinigungsmittel verwenden.


Verwenden Sie das WaterClean-Programm

Verwenden Sie das WaterClean-Programm, um Flecken und Speisereste ganz einfach aus Ihrem Backofen zu entfernen.



VORSICHT!

Stellen Sie sicher, dass der Backofen abgekühlt ist, bevor Sie das Programm WaterClean starten.

1. Drehen Sie den Wahlschalter für den Backofenbetrieb auf .
2. Drehen Sie den Temperaturwähler auf 70 °C.
3. Gießen Sie 0,6 l Wasser in ein Backblech und stellen Sie es in die untere Führung.
4. Lassen Sie das Programm 30 Minuten lang laufen. Die Speisereste werden aufgeweicht.
5. Reinigen Sie die emaillierten Wände des Ofens mit einem feuchten Tuch.

FEHLERSUCHE

Sie können viele kleinere Probleme mit Hilfe der Informationen zur Fehlerbehebung lösen. Wenn das Problem weiterhin besteht, versuchen Sie nicht, das Gerät auf andere Weise als in dieser Gebrauchsanweisung beschrieben zu reparieren.



WARNUNG!

Gefahr auf einen elektrischen Schlag!

- Versuchen Sie nicht, Reparaturen selbst durchzuführen. Manipulationen am Produkt und nicht fachmännische Reparaturen können zu Verletzungen oder Schäden am Produkt führen. Außerdem wird dadurch die Garantie ungültig. Wenden Sie sich stattdessen an einen Servicetechniker.
- Tauschen Sie das Netzkabel nicht selbst aus. Wenn das Netzkabel beschädigt ist, muss es durch den Hersteller oder autorisierte Techniker ersetzt werden, um Gefahren zu vermeiden.

Die Hauptsicherung in Ihrer Wohnung löst häufig aus

Die Leistung aller eingeschalteten Geräte übersteigt die Kapazität des Stromnetzes in Ihrer Wohnung

Wenden Sie sich an einen Servicetechniker.

Die Backofenbeleuchtung funktioniert nicht

Die Backofenbeleuchtung muss ersetzt werden

Siehe Abschnitt "Glühbirne im Backofen austauschen", [Seite 60](#).

Die Speise ist ungenügend gegart

Das Problem kann verschiedene Ursachen haben. Befolgen Sie die Anweisungen für die vorgeschlagenen Ursachen, um das Problem zu lösen.

Die falsche Temperatur oder der falsche Betrieb wurde gewählt

Vergewissern Sie sich, dass Sie die richtige Temperatur und den richtigen Modus gewählt haben.

Die Backofentür ist geöffnet

Vergewissern Sie sich, dass die Backofentür geschlossen ist.

Teile ersetzen

Glühbirne im Backofen austauschen

Wenn die Glühbirne kaputt geht, ersetzen Sie sie durch eine Halogenleuchtstofflampe G9, 25 W.



WARNUNG!

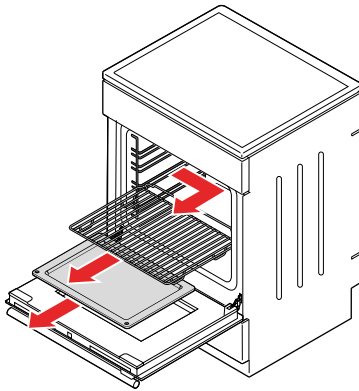
Stromschlaggefahr! Trennen Sie das Gerät vor dem Auswechseln der Glühbirne immer vom Stromnetz.



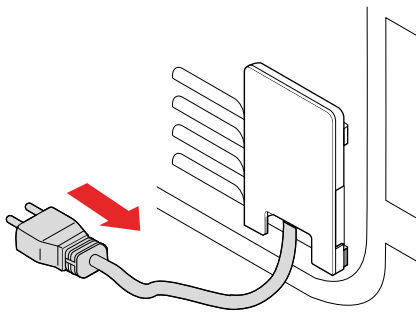
HINWEIS!

Die Glühbirne fällt nicht unter die Garantie, da sie ein Verbrauchsartikel ist.

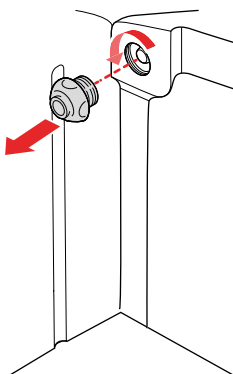
1. Entfernen Sie das Gitter, die Führungen und die Bleche.



2. Trennen Sie den Herd vom Stromnetz.

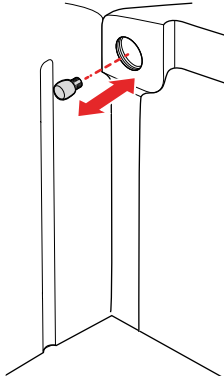


3. Entfernen Sie die Glühlampenabdeckung.

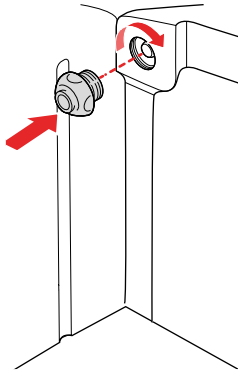


4. Ersetzen Sie die Glühbirne.

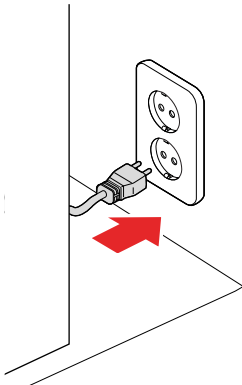
WARNUNG! Schützen Sie sich beim Entfernen der alten Glühbirne, um Verbrennungen zu vermeiden.
VORSICHT! Beschädigen Sie die Emaille-Oberfläche nicht.



5. Bringen Sie die Abdeckung an.



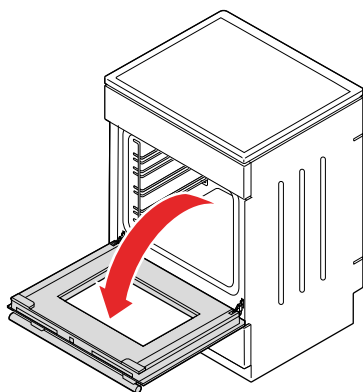
6. Verbinden Sie den Herd mit dem Stromnetz.



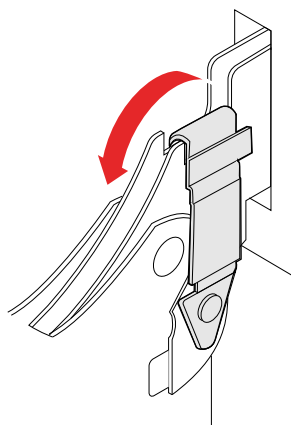
Die Backofentür wieder einsetzen

Entfernen Sie die Backofentür und tauschen Sie sie aus, wenn sie zerbrochen ist oder wenn Sie die Glasscheibe der Backofentür entfernen müssen.

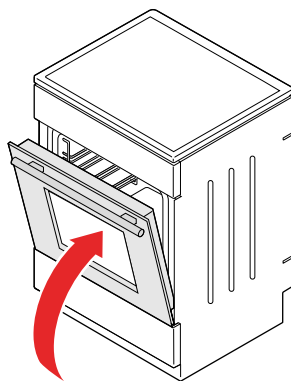
1. Öffnen Sie die Backofentür vollständig.



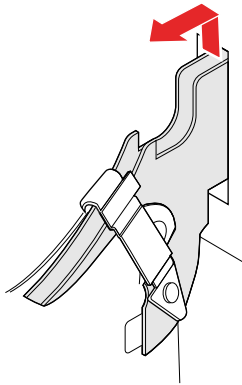
2. Heben Sie die Verriegelungen der Türscharniere an und klappen Sie sie ein.



3. Falten Sie die Tür vorsichtig in einem Winkel von etwa 15°.



4. Entfernen Sie die Tür: Ziehen Sie die Scharniere aus den Öffnungen.



Der Einbau erfolgt in umgekehrter Reihenfolge.



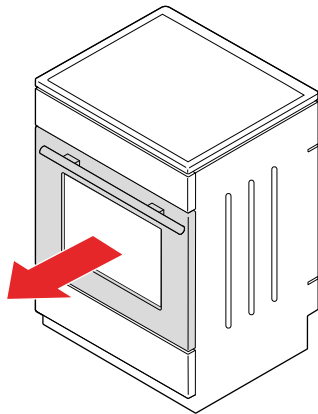
VORSICHT!

Vergewissern Sie sich, dass die Scharniere richtig in ihren Haken sitzen. Andernfalls lässt sich die Tür möglicherweise nicht richtig öffnen und schließen.

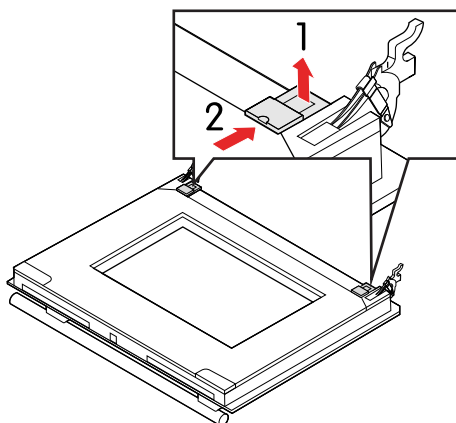
Entfernen und Einsetzen der Glasscheiben der Backofentür

Nehmen Sie die Glasscheibe der Backofentür heraus, wenn sie zerbrochen ist oder wenn Sie sie reinigen wollen.

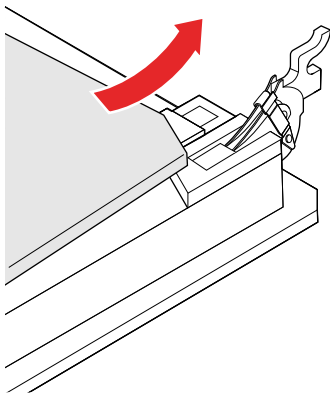
1. Nehmen Sie die Backofentür aus dem Gerät.



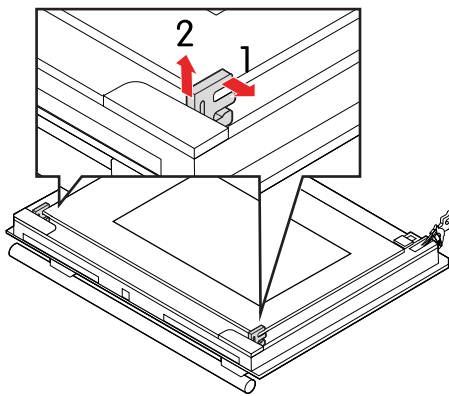
2. Heben Sie die Stützen ein wenig an und ziehen Sie sie vom Glas ab.



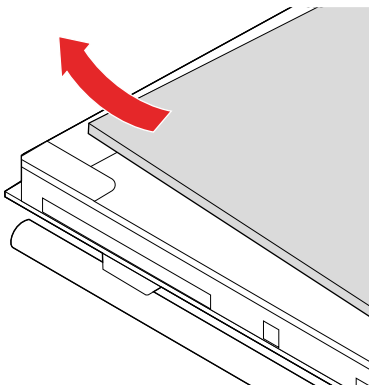
3. Heben Sie das untere Ende der Glasscheibe an und nehmen Sie es heraus.



4. Drehen Sie die Gummihalfterungen ein wenig und ziehen Sie sie von der restlichen Glasscheibe ab.



5. Heben Sie das obere Ende der verbleibenden Glasscheibe an und nehmen Sie sie heraus.



Der Einbau erfolgt in umgekehrter Reihenfolge.



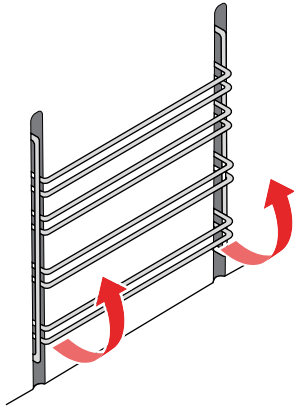
HINWEIS!

Die Markierungen (Halbkreis) auf der Tür und der Glasscheibe müssen sich überschneiden.

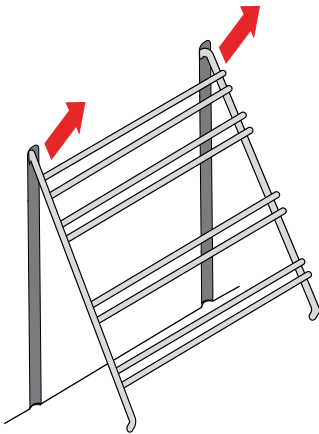
Entfernen und Anbringen der Kabelführungen

Gehen Sie wie folgt vor, um die Kabelführungen zu entfernen und zu installieren.

1. Ziehen Sie die Unterseite der Führungen aus der Backofenwand heraus.



2. Ziehen Sie die Führungen aus den Löchern an der Oberseite heraus.



Montieren Sie die Führungen in umgekehrter Reihenfolge.

Kabelverbindungen des Netzkabels

Wenn das Netzkabel beschädigt ist, muss es sofort ausgetauscht werden.



WARNUNG!

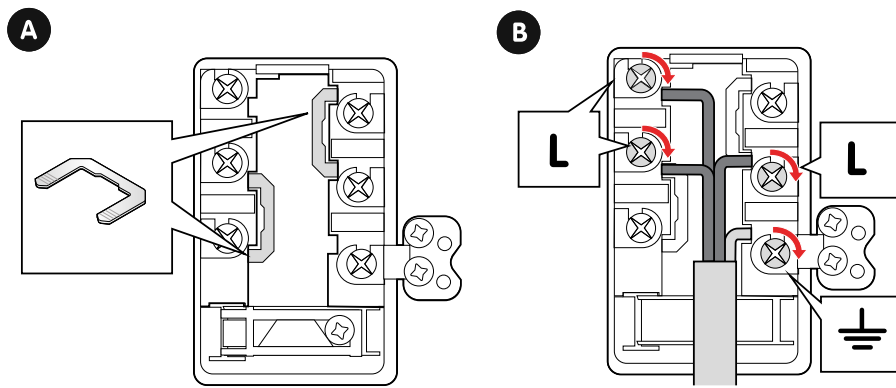
- Tauschen Sie das Netzkabel nicht selbst aus. Wenn das Netzkabel beschädigt ist, muss es durch den Hersteller oder autorisierte Techniker ersetzt werden, um Gefahren zu vermeiden.
- Die elektrische Installation muss den örtlichen Vorschriften entsprechen.
- Verwenden Sie ein 4x1,5 mm² Kabel mit der Bezeichnung H05VV-F 4G1,5 oder besser.



HINWEIS!

Reparaturen oder Garantieansprüche, die auf einen falschen Anschluss oder Gebrauch des Produkts zurückzuführen sind, fallen nicht unter die Garantie.

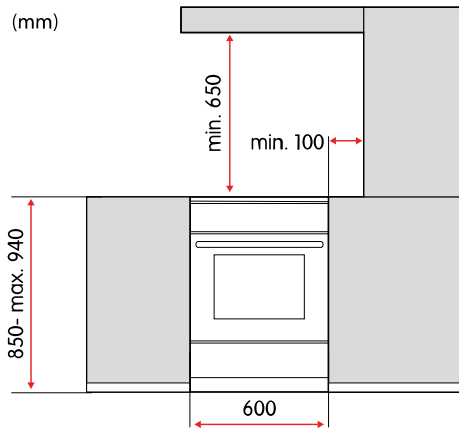
Die folgende Abbildung zeigt die Kabelanschlüsse des Netzkabels, siehe A für die Installation der Brücken und B für den Anschluss der Kabeldrähte.



INSTALLATION

Platzierung des Herdes

Achten Sie darauf, dass Sie den Ofen unter Berücksichtigung der in diesem Abschnitt beschriebenen Maße und anderen Faktoren aufstellen.



WARNUNG!

Brandgefahr!

- Vergewissern Sie sich, dass der Boden und die angrenzenden Wände eine Temperaturbeständigkeit von mindestens 90 °C aufweisen.
- Installieren Sie den Backofen nicht hinter einer dekorativen Tür, da es sonst überhitzt werden kann.



WARNUNG!

Der Backofen ist dazu bestimmt, direkt auf den Boden gestellt zu werden, ohne jegliche Stützen oder Sockel.



VORSICHT!

Stellen Sie den Backofen nicht in der Nähe von starken Wärmequellen, wie z. B. Festbrennstofföfen, auf, da die hohen Temperaturen den Backofen beschädigen können.

Befestigen Sie den Herd an einer Wand

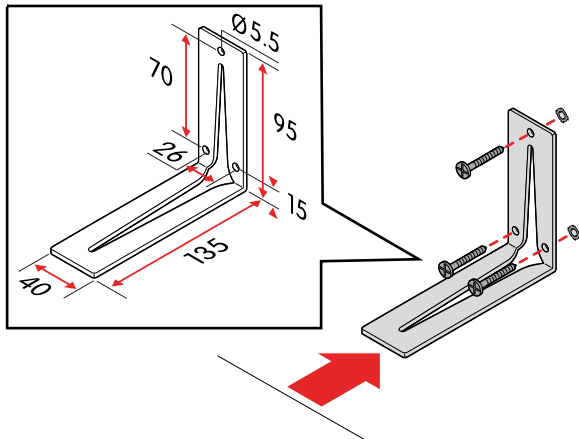
Indem Sie den Herd an einer Wand befestigen, können Sie ihn vor dem Umkippen bewahren.



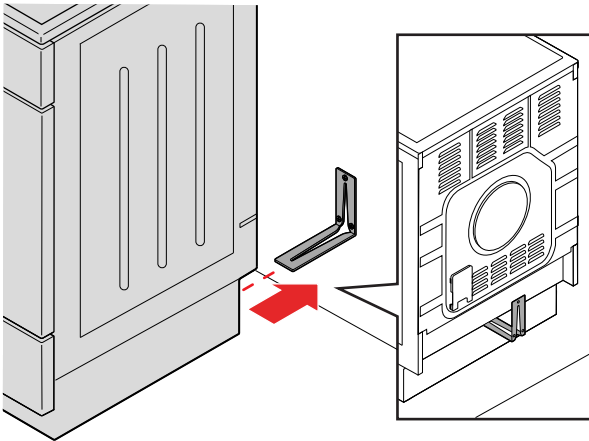
WARNUNG!

Kippgefahr! Um ein Umkippen zu verhindern, müssen Stabilisierungsvorrichtungen angebracht werden.

1. Befestigen Sie die Halterung mit den mitgelieferten Schrauben und Dübeln an der Wand.
WARNUNG! Wenn die mitgelieferten Schrauben oder Dübel nicht für die Wand geeignet sind, sollten Sie solche verwenden, die eine sichere Montage an der Wand gewährleisten.



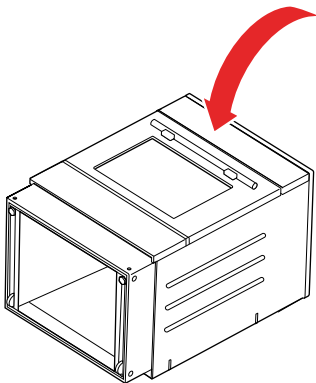
2. Bringen Sie den Herd an der Halterung an und befestigen Sie ihn.



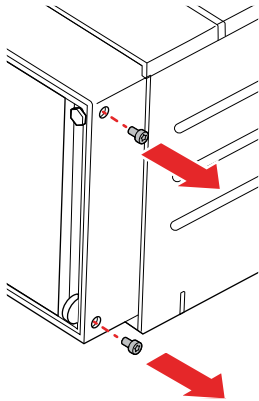
Einstellen der Höhe des Herdes

Sie können die Höhe des Herdes von 850 mm bis 940 mm einstellen.

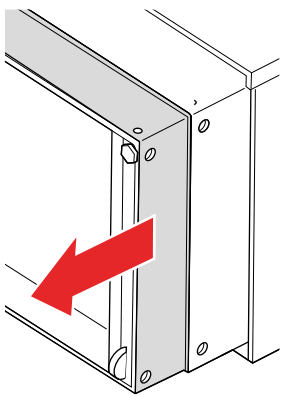
1. Legen Sie den Herd mit der Rückseite auf den Boden.



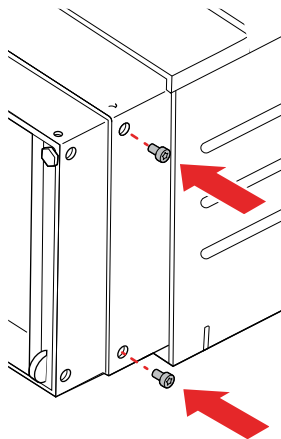
2. Drehen Sie die Schrauben heraus.



3. Stellen Sie die Höhe ein.



4. Drehen Sie die Schrauben wieder ein.



Nivellieren Sie den Herd

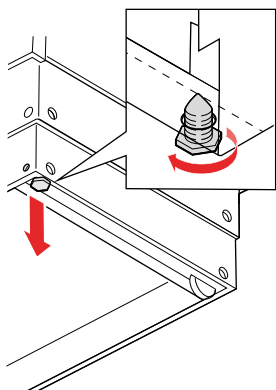
Nivellieren Sie Ihren Herd, indem Sie die Höhe der vorderen FüÙe und der hinteren Räder individuell einstellen.



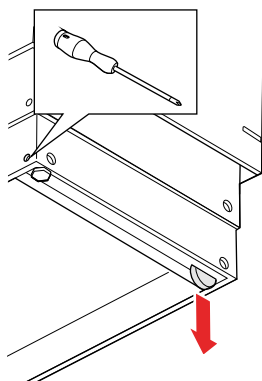
WARNUNG!

Der Herd muss waagrecht und eben aufgestellt werden.

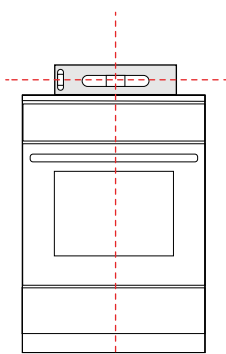
1. Drehen Sie die vorderen FüÙe, um die Höhe einzustellen.



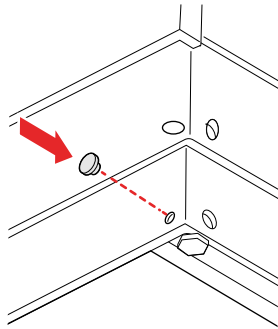
2. Drehen Sie die Radeinstellschrauben, um die Höhe der Hinterräder einzustellen.



3. Legen Sie eine Wasserwaage auf den Herd, um die horizontale Lage zu überprüfen. Bei Bedarf anpassen.



4. Setzen Sie die Blindstopfen in die Löcher ein.



Netzstrom anschließen

Der Herd wird mit einem montierten Netzkabel geliefert, das an eine 400 V, 50 Hz Steckdose angeschlossen werden kann.



WARNUNG!

Wenn das Produkt mit einem festen elektrischen Anschluss verbunden werden soll:

- Schließen Sie das Produkt nicht selbst an das Stromnetz an. Das Produkt darf nur von einem autorisierten Techniker angeschlossen werden.
- Verwenden Sie für den Anschluss ein 4x1,5 mm² Kabel mit der Bezeichnung H05VV-F 4G1,5 oder besser.



WARNUNG!

- Die elektrische Installation muss den örtlichen Vorschriften entsprechen.
- Verwenden Sie keine externen Zeitschaltuhren oder separate Fernbedienungssysteme zur Steuerung des Produkts.



VORSICHT!

Lesen Sie vor dem Anschließen des Geräts die Gebrauchsanweisung sorgfältig durch. Reparaturen oder Garantieansprüche, die auf einen falschen Anschluss oder Gebrauch des Geräts zurückzuführen sind, fallen nicht unter die Garantie.

1. Schließen Sie den Stecker an eine 400 V, 50 Hz Steckdose an.

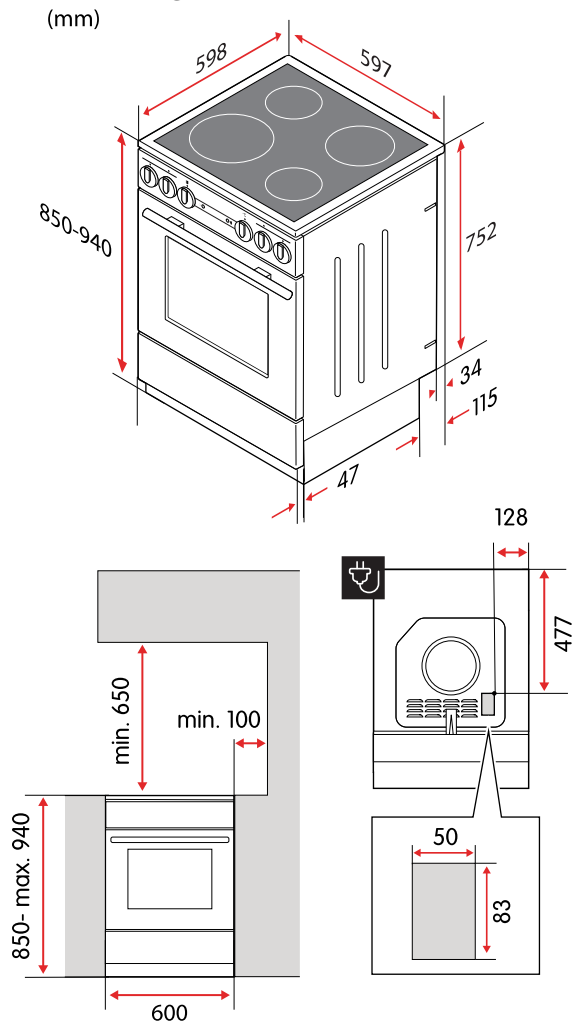
ANHANG

Spezifikationen

Produktcode	CCS46401VN-E2
Höhe	85-94 cm
Breite	59.7 cm
Tiefe	59,8 cm
Gewicht	46,8 kg
Volumen des Garraums	74 l
Stromversorgung	380-415 V 3~, 50 Hz
Elektrische Anschlussleistung	9 300 W

Kochzone	Durchmesser	Leistung
Vorne links	21 cm	2,3 kW
Hinten links	14,5 cm	1,2 kW
Hinten rechts	18 cm	1,8 kW
Vorne rechts	14,5 cm	1,2 kW

Abmessungen



EU-Richtlinien und Normen

Dieses Produkt erfüllt die geltenden EU-Richtlinien und Vorschriften und trägt das CE-Zeichen. Falls sie dem Produkt nicht beiliegt, ist eine Kopie der EU-Konformitätserklärung auf Anfrage erhältlich.

Die Leistung des Produkts wurde in Übereinstimmung mit EN 60350-1 getestet.

Innehåll

SÄKERHET	77
Uppmaningar	77
Avsedd användning	77
Säkerhet för barn och personer med funktionsnedsättningar	77
Allmän säkerhet	78
Säkerhet under installation	78
Säkerhet under användning	79
Säkerhet under underhåll	80
Säkerhetsetiketter	81
Avfallshantering	81
SNABBSTART	82
Snabbstart av ugnen	82
Snabbstarta hällen	83
KOMMA IGÅNG	84
Innan du använder spisen	84
Hällöversikt	84
Spiskontroller	84
Öppna barnlåset	84
Slå på och av barnlåset på temperaturvredet	85
Tillbehör	86
TILLAGNING MED HÄLLEN	87
Hällens yta	87
Lämpliga tillagningskärl	87
Slå på och stänga av tillagningszoner	87
Spara energi	87
Indikator för restvärme	88
TILLAGNING MED UGNEN	89
Tillagningslägen	89
Undervärme	89
Över- och undervärme	89
Grill	89
Stor grill	89
WaterClean	89
Pizza	89
Slå på och stänga av ugnen	90
Ändra ugnens temperatur	90
Ändra ugnens tillagningsläge	90
Guide för ugnstillagningsläge	90
Trådskenor	91
Grillrekommendationer	91

Stekrekommendationer	91
Gräddningsrekommendationer	92
RENGÖRING	93
Rengöra hällens yta	93
Rengöra glasytor	93
Rengöra ytor av rostfritt stål	94
Rengöra emaljytor	94
Rengöra plastdelar och lackerade ytor	94
Rengör ugnen	94
Använda WaterClean-programmet	94
FELSÖKNING	96
Huvudsäkring i hemmet utlöses ofta	96
Ugnsbelysningen fungerar inte	96
Maten är inte färdiglagad	96
Byta delar	96
Byta ugnsbelysningens glödlampa	96
Byta ugnsluckan	98
Ta bort och installera ugnsluckans glasrutor	100
Ta bort och installera trådskenorna	101
Anslutning av strömsladdens ledare	102
INSTALLATION	104
Placering av spisen	104
Fäst spisen i en vägg	104
Justera spisens höjd	105
Planjustera spisen	106
Anslutning till elnätet	108
BILAGA	109
Specifikationer	109
Mått	110
EU-direktiv och standarder	110

SÄKERHET

Läs instruktionerna noga innan du installerar och använder produkten. Spara instruktionerna och förvara dem nära produkten för framtida bruk. Alla garantier förlorar sin giltighet om dessa instruktioner inte efterlevs.

Uppmaningar

**VARNING!**

Används när det finns risk för personskada.

**FÖRSIKTIGHET!**

Används när det finns risk för skada på produkten.

**OBS!**

Allmän information som du bör känna till.



Hjälp samma tips som du kan ha nytta av.

Avsedd användning

Denna produkt är avsedd

- att användas i hushållsmiljö.
- för att värma och tillaga olika livsmedel.
- att placeras direkt på golvet, utan några stöd eller socklar.

Denna produkt är inte avsedd

- för andra ändamål än matlagning, t.ex. för att värma upp rum eller liknande syften.
- att installeras som en inbyggnadsenhet.
- för utomhusbruk.
- att kontrolleras via externa timrar eller separata styrsystem.

Säkerhet för barn och personer med funktionsnedsättningar

**VARNING!**

Låt endast följande grupper använda produkten om de övervakas eller har instruerats om hur man använder produkten på ett säkert sätt. De måste förstå riskerna det innebär.

- Barn från 8 år och äldre. (Barn som är yngre än 8 år måste övervakas hela tiden, eller hållas borta från produkten.)
- Personer med nedsatt fysisk, sensorisk eller mental förmåga.
- Personer som saknar erfarenhet och kunskap.

**VARNING!**

- Barn får inte leka med produkten.
- Barn får inte rengöra produkten utan tillsyn.

**VARNING!**

Använd endast det hällskydd som utformats eller rekommenderas av tillverkaren. Användning av olämpliga hällskydd kan orsaka olyckor.

Allmän säkerhet

**WARNING!**

Brandrisk!

- Förvara inte föremål på tillagningsytan.
- Förvara inte brännbara, explosiva, flyktiga eller temperaturkänsliga föremål (som papper, disktrasor, plastpåsar, rengöringsmedel och sprayburkar) i ugnens förvaringslåda, eftersom de kan antändas under användning av ugnen och orsaka en eldsvåda. Obevakad tillagning på en häll med fett eller olja kan orsaka eldsvåda.
- Släck aldrig eld med vatten. Stäng istället av produkten och täck flaman med exempelvis ett lock eller en eldsläckningsfilt.

**WARNING!**

Risk för elstötar!

- Om tillagningsytan är sprucken, stäng omedelbart av produkten och koppla bort den från elnätet. Använd inte och rör inte vid produkten.
- Håll strömsladdar för andra apparater på ett säkert avstånd så att de inte fastnar i ugnsluckan. Sladdarna kan skadas och orsaka kortslutning.

Säkerhet under installation

**WARNING!**

Brandrisk!

- Kontrollera att golvet och angränsande väggar tål temperaturer på minst 90 °C.
- Installera inte spisen bakom en dekorativ lucka, eftersom den kan överhettas.

**WARNING!**

Kontrollera att alla förpackningsrester har avlägsnats från tillagningsutrymmet.

**WARNING!**

- Produkten är avsedd att placeras direkt på golvet utan stöd eller socklar.
- Om de medföljande skruvarna och förankringarna inte är lämpliga för väggen, använd andra som garanterar en säker installation på väggen.
- Spisen måste installeras planjusterad horisontellt.

**WARNING!**

Risk för elstötar! Anslut inte produkten till elnätet själv. Produkten får endast anslutas av en behörig tekniker.

**WARNING!**

- Elinstallation måste följa lokala bestämmelser.
- Säkerställ att skyddsjordledaren är korrekt säkrad när du ansluter apparaten till strömförsörjningen.
- För enfasanslutning, använd en 3x4,0 mm² kabel märkt H05VV-F 3G4 eller bättre.
- För trefasanslutning, använd en 5x1,5 mm² kabel märkt H05VV-F 5G1.5 eller bättre.
- Använd inte en extern timer eller ett separat fjärrkontrollsystem för att styra produkten.

**FÖRSIKTIGHET!**

Installera inte produkten nära kraftfulla värmekällor, såsom eldstäder, eftersom den höga temperaturen kan skada produkten.

**FÖRSIKTIGHET!**

Läs noga genom användarinstruktionerna innan du ansluter apparaten till strömförsörjningen. Kostnader för reparationer eller garantianspråk till följd av felaktig anslutning eller användning av produkten täcks inte av garantin.

Säkerhet under användning

**VARNING!**

Övervaka alltid tillagningsprocessen kontinuerligt.

**VARNING!**

Om hällens yta går sönder, kopplar du omedelbart bort produkten från elnätet. Använd inte produkten.

**VARNING!**

Brandrisk! Se till att ventilationsöppningarna aldrig täcks eller blockeras på något sätt.

**VARNING!**

Det finns risk för brännskador från restvärme. Tillagningszonen uppvärms indirekt av det varma tillagningskärlet och fortsätter att vara varm även ett tag efter att den stängts av.

**VARNING!**

Risk för brännskada!

- Tillagningskärl och tillgängliga delar av produkten kan bli mycket varma under användning. Var försiktig så att du inte vidrör varma delar.
- Ugnsluckan kan bli mycket varm under pågående användning.
- Placera inte metallföremål som knivar, gafflar, skedar eller lock på tillagningszonerna, eftersom de kan bli mycket varma.

**VARNING!**

- Använd endast grillen när ugnsluckan är stängd.
- Använd grytvantar eller köttänger. Grillvärmaren, gallret och andra ugnstillbehör blir mycket varma under grillning.

**FÖRSIKTIGHET!**

- Ytan är mycket motståndskraftig mot temperaturförändringar men kan skadas av tunga föremål som faller ned på den. Ytan kan spricka omedelbart eller ett tag efter att ha träffats.
- Kontrollera att tillagningszonen och tillagningskärlets bottnar är rena och torra för att förbättra prestanda och förhindra att ytan skadas.
- Om socker, eller mat med hög sockerhalt, spills på ytan när den är varm – ta omedelbart bort sockret från den varma ytan med hjälp av en skrapa eller en trasa. Annars kan ytan skadas.
- Rengör aldrig en varm yta med rengöringsmedel.
- Använd inte hällen som förvaringsyta eftersom det kan leda till repor eller skador.

**FÖRSIKTIGHET!**

Vrid inte temperaturvredet till under nolläget när du ändrar ugnstemperaturen. Det kan skada termostaten.

**FÖRSIKTIGHET!**

- Kontrollera att tillagningskärlets botten passar tillagningszonens diameter. Om tillagningskärlet är för litet går en del av värmen förlorad och tillagningszonen kan skadas.
- Täck inte ugnens insida med aluminiumfolie. Aluminiumfolie förhindrar luftcirkulation i ugnen, hindrar tillagningsprocessen och förstör emaljbeläggningen.
- Placera inte bakplåtar eller andra tillagningskärl i botten av ugnen.
- Placera inte den djupa bakplåten på den första skenan.

Säkerhet under underhåll



VARNING!

Risk för elstötar!

- Försök inte att utföra några reparationer själv. Ändringar av produkten och reparation utförd av lekman kan orsaka personskada och skada produkten. Det medför också att garantin blir ogiltig. Kontakta istället en servicetekniker.
- Byt inte ut strömsladden själv. Om strömsladden är skadad måste den bytas av tillverkaren eller auktoriserad tekniker för att undvika fara.



VARNING!

Risk för elstötar! Koppla alltid bort produkten från elnätet innan du byter glödlampan.



VARNING!

Använd skydd när du tar bort en gammal glödlampa för att inte bränna dig.



VARNING!

Barn får inte rengöra produkten utan tillsyn.



VARNING!

Risk för elstötar!

- Koppla bort produkten från elnätet före rengöring.
- Använd inte ångrengöringsmaskin eller högtryckstvätt för att rengöra produkten, eftersom det kan leda till elchocker.



VARNING!

Kontrollera att gångjärnens spärrar är korrekt placerade i luckans sidoribbor innan du installerar den. Det förhindrar att gångjärnen plötsligt stängs, vilket kan det skada både dig själv och luckan.



FÖRSIKTIGHET!

- Vänta alltid tills produkten har svalnat före rengöring.
- Kontrollera att ugnen har svalnat innan du startar WaterClean-programmet.



FÖRSIKTIGHET!

- Använd inte stålull, slipande svampar eller slipande pulver, eftersom de kan repa ytan. Aggressiva sprayrengöringsmedel, avkalkningsmedel och andra olämpliga flytande rengöringsmedel kan skada ytan.
- Använd inte slipande rengöringsmedel eller vassa metallskrapor när du rengör glasytorna, eftersom de kan göra att ytan spricker och glaset går sönder.
- Använd inte slipande rengöringsmedel eller rengöringsmedel som innehåller lösningsmedel när du rengör ytor av rostfritt stål, eftersom de kan skada ytan.
- Använd inte slipande rengöringsmedel eller verktyg när du rengör emaljytor, eftersom de kan orsaka permanenta skador.
- Använd inte slipande rengöringsmedel, slipande verktyg eller alkoholbaserade rengöringsmedel när du rengör plastdelar och lackerade eller belagda ytor.
- Var noga med att få bort alla rester av rengöringsmedel från ytan efter rengöringen, eftersom de kan skada ytan när du värmer upp tillagningszonerna nästa gång.



FÖRSIKTIGHET!

- Om socker, eller mat med hög sockerhalt, spills på ytan när den är varm – ta omedelbart bort sockret från den varma ytan med hjälp av en skrapa eller en trasa. Annars kan ytan skadas.
- Rengör aldrig en varm yta med rengöringsmedel.



FÖRSIKTIGHET!

Luta dig inte mot den öppna luckan när du rengör ugnsutrymmet. Stå aldrig på den öppna ugnsluckan och låt inte barn sitta på den. Ugnsluckans gångjärn kan gå sönder vid för stor belastning.

**FÖRSIKTIGHET!**

Diska inte teleskopskenorna i diskmaskin.

**FÖRSIKTIGHET!**

Skada inte emaljytan när du byter ut glödlampan.

Säkerhetsetiketter

Följande säkerhetsetiketter återfinns på produkten.



Försiktighet! Risk för tippning.



Varning! Stabiliseringsanordningar måste installeras för att förhindra tippning.

Avfallshantering



Avfallshandera förpackningen på ett miljövänligt sätt. Återvinn förpackningen i enlighet med lokala lagar och föreskrifter, för att reducera förbrukningen av råmaterial och mark som används för deponering av avfall.

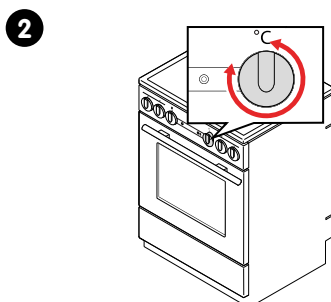
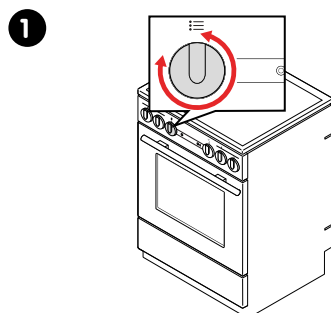
Denna maskin är märkt i enlighet med WEEE-direktivet 2012/19/EU för avfall som utgörs av eller innehåller elektriska eller elektroniska produkter. Symbolen på produkten eller dess förpackning anger att produkten inte ska hanteras som vanligt hushållsavfall. Istället ska den lämnas till ett lämpligt insamlingsställe för återvinning av elektrisk och elektronisk utrustning.

Genom att avfallshandera maskinen på ett korrekt sätt förhindrar du att den inverkar negativt på miljön och människors hälsa, vilket kan vara fallet om den avfallshanderas på ett felaktigt sätt. Kontakta lokala myndigheter som ansvarar för avfallshantering eller butiken där du köpte produkten, för mer information om hur du återvinner maskinen.

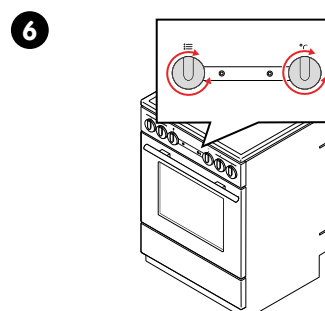
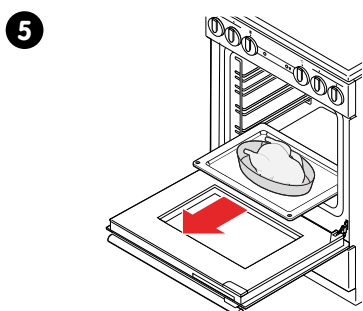
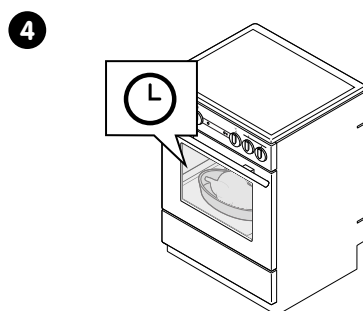
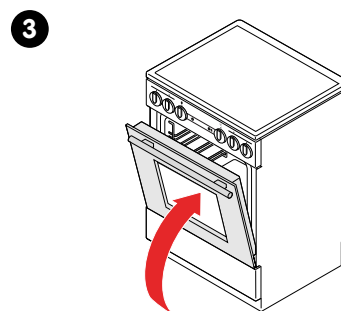
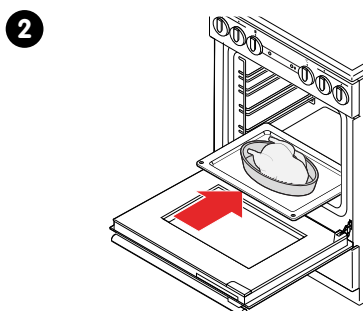
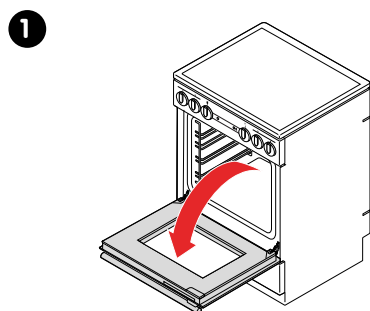
SNABBSTART

Snabbstart av ugnen

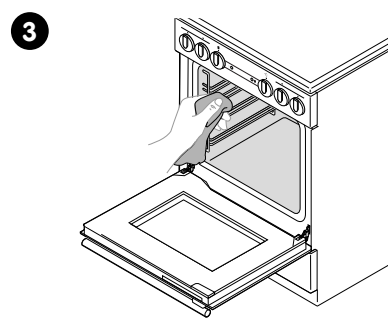
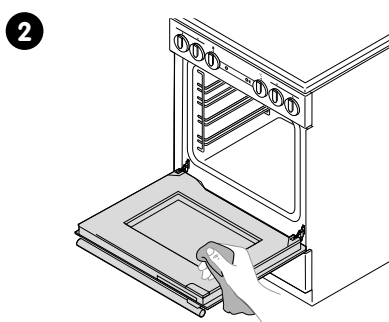
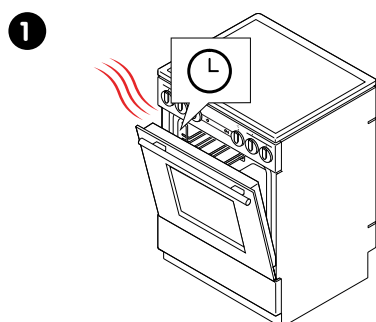
Välj tillagningsläge och temperatur



Tillagning

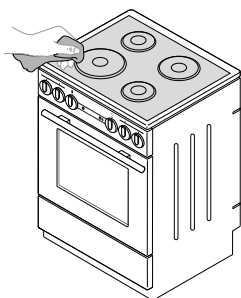


Efter tillagningen

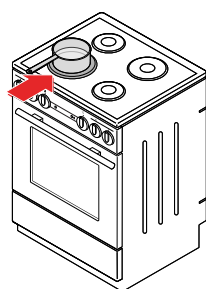
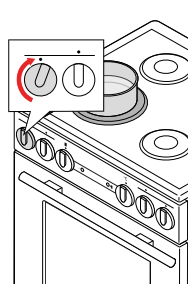
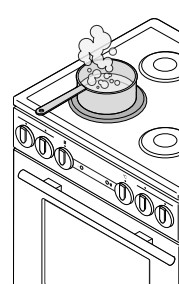
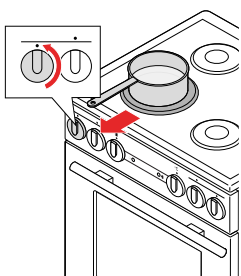


Snabbstarta hällen

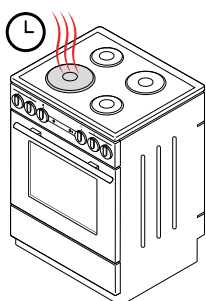
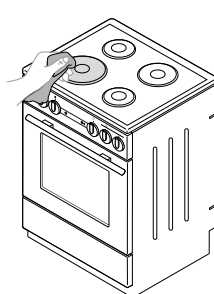
Innan tillagningen

1

Tillagning

1**2****3****4**

Efter tillagningen

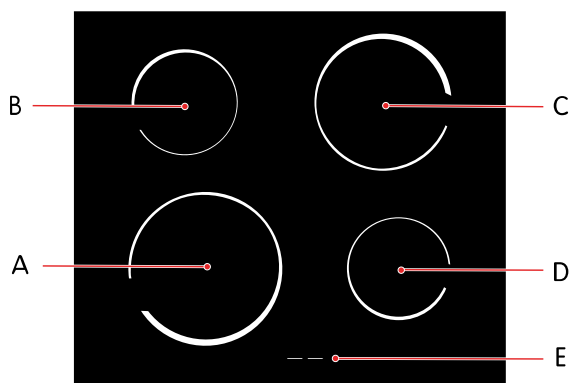
1**2**

KOMMA IGÅNG

Innan du använder spisen

1. Ta bort allt transportemballage och utrustning från spisen.
2. Rengör alla tillbehör och redskap med varmt vatten och vanligt rengöringsmedel. Använd inte rengöringsmedel/rengöringsprodukter som innehåller slipmedel.
3. Rengör hällens glaskeramiska yta med en fuktig trasa och lite diskmedel. Använd inte starka rengöringsmedel, som slipande rengöringsmedel som kan repa ytan, slipande svampar eller fläckborttagningsmedel.
4. Värm upp ugnen utan mat till 275 °C i 60 minuter. Vädra rummet eftersom spisen avger en lukt som är karakteristisk för en ny apparat.
WARNING! Kontrollera att alla förpackningsrester har avlägsnats från tillagningsutrymmet.

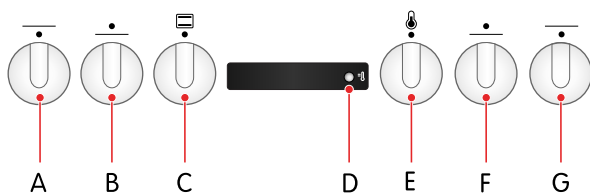
Hällöversikt



- A. Främre vänster tillagningszon
- B. Bakre vänster tillagningszon
- C. Bakre höger tillagningszon
- D. Främre höger tillagningszon
- E. Indikator för restvärme

Spiskontroller

Styr spisen genom att vrida på väljarna.



- A. Effektväljare för främre vänster tillagningszon
- B. Effektväljare för bakre vänster tillagningszon
- C. Väljare för ugnstillagningsläge
- D. Temperaturkontrollampa (röd)
- E. Ugnens temperaturvred
- F. Effektväljare för bakre höger tillagningszon
- G. Effektväljare för främre höger tillagningszon

Lampor

Temperaturkontrollampan tänds när ugnen värms upp och släcks när ugnen har nått den valda temperaturen.

Öppna barnlåset

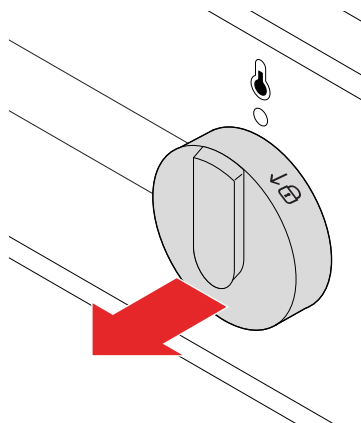
Ugnsluckan låses automatiskt när du stänger den.

1. Tryck barnlåset försiktigt åt höger med tummen.
2. Dra i ugnsluckan medan du fortsätter att trycka på barnlåset.

Slå på och av barnlåset på temperaturvredet

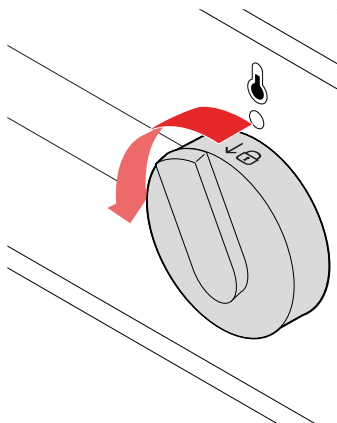
Slå på barnlåset

1. Dra temperaturvredet utåt.



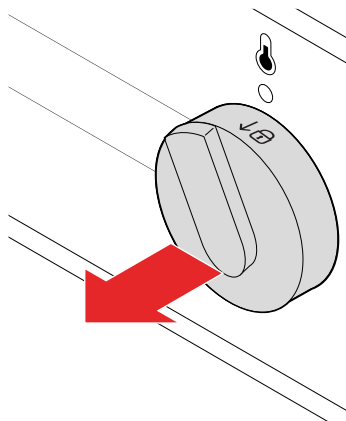
2. Vrid temperaturvredet 15° åt ↓⊕ och släpp det.

Vredet är nu låst och tillagningszonerna och ugnen kan inte slås på, därmed förhindras barn från att slå på dem av misstag.

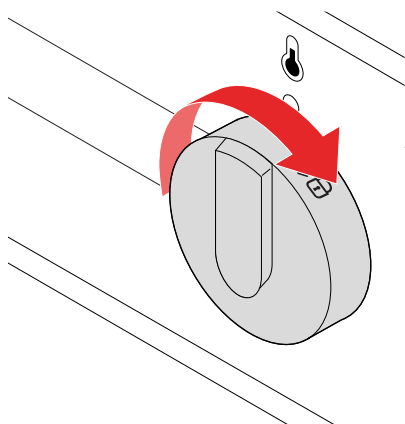


Stänga av barnlåset

1. Dra temperaturvredet utåt.

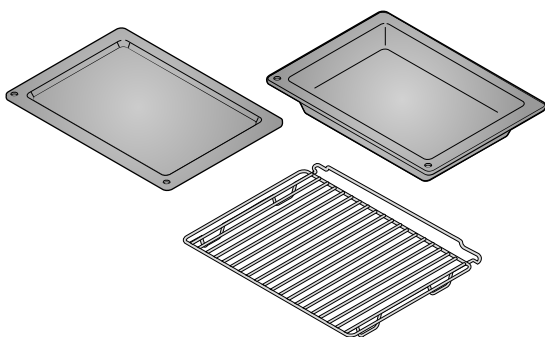


2. Vrid temperaturvredet 15° medurs och släpp det.
Vredet låses upp och tillagningszonerna och ugnen kan slås på.



Tillbehör

Spisen levereras med en del användbara tillbehör för att förbättra tillagningsupplevelsen.



Bakplåtar

För gräddning av bakverk eller som droppbricka.

Långpanna

För stekning av stora mängder grönsaker och kött eller konservering av mat.

Galler

För att grilla kött eller fisk.

TILLAGNING MED HÄLLEN

Hällens yta

Hällens glaskeramiska yta är ett starkt material. Här är några råd om hur du använder och underhåller ytan.

- Ytan är mycket motståndskraftig mot temperaturförändringar men kan skadas av tunga föremål som faller ned på den. Ytan kan spricka omedelbart eller ett tag efter att ha träffats.

**VARNING!**

Om ytan går sönder, koppla omedelbart bort produkten från elnätet. Använd inte produkten.

- Kontrollera att tillagningszonen och tillagningskärlets botten är rena och torra för att förbättra prestanda och förhindra att ytan skadas.

**FÖRSIKTIGHET!**

Om socker, eller mat med hög sockerhalt, spills på ytan när den är varm – ta omedelbart bort sockret från den varma ytan med hjälp av en skrapa eller en trasa. Annars kan ytan skadas.

Rengör aldrig en varm yta med rengöringsmedel.

- Använd inte hällen som förvaringsyta eftersom det kan leda till repor eller skador.

Lämpliga tillagningskär

För bästa resultat och för att förhindra skador, se till att du använder lämpliga tillagningskär.

- Använd tillagningskär av god kvalitet med plan och stabil botten.
- Kontrollera att tillagningskärlets botten passar tillagningszonens diameter.



När du köper tillagningskär, tänk på att den angivna diametern vanligtvis avser kärlets övre kant eller locket, som brukar vara större än bottendiametern.

- Tillagningskär av härdat glas med särskild botten kan användas om dess diameter är samma som tillagningszonens. Tillagningskär med större diameter kan gå sönder på grund av termisk spänning.

Slå på och stänga av tillagningszoner

1. Slå på tillagningszonen genom att vrida på vredet.
Du kan ställa in värmeeffekten i steg från 1 till 9.
Tillagningszonens värme justeras genom att effekten slås på och av i intervall. Intervallens längd beror på den inställda effektnivån.
2. Stäng av tillagningszonen genom att vrida vredet till 0.

Spara energi

Här är några tips om hur du kan spara energi.

- Kontrollera att tillagningskärlets botten passar tillagningszonens diameter. Om tillagningskärlet är för litet går en del av värmen förlorad och tillagningszonen kan skadas.
- Använd tillagningskär som passar mängden mat som du tillagar. Att använda större tillagningskär än vad som krävs förbrukar mer energi.
- Täck om möjligt tillagningskärlet med ett lock.
- Använd en tryckkokare om en maträtt tar lång tid att tillaga.
- Grönsaker, potatis med mera kan tillagas i en mindre mängd vatten. Maten tillagas lika bra, så länge som tillagningskärlet är tätt stängt med ett lock. Efter att vattnet börjat koka, sänk värmen till en nivå som räcker för att det ska fortsätta att sjuda.

Indikator för restvärme

Tillagningszonerna fortsätter att vara varma även ett tag efter att de har stängts av. Att en tillagningszon är varm anges av indikatorn för restvärme. Indikatorn släcks när tillagningszonen har svalnat.

Indikatorn för restvärme tänds också om ett varmt tillagningskäril placeras på en sval tillagningszon.

**VARNING!**

Det finns risk för brännskador från restvärme.

TILLAGNING MED UGNEN

- Använd mörka djupa bakplåtar belagda med svart silikon eller emalj. De överför värme bättre.
- Att tillaga flera typer av bakverk ett efter ett sparar energi eftersom ugnen redan är varm. Uppvärmning av en ugn som redan har svalnat förbrukar mer energi.
- Ånga kan ibland bildas på insidan av ugnen under tillagning. Ångan kan kondenseras på spisens lucka och lock. Detta är normalt och påverkar inte spisens funktion. Torka av kondenserat vatten med en trasa.
- Om du lämnar kvar rätten i ugnen efter att ha avslutat tillagningen kan ånga avdunsta från den och kondensera på frampanelen och ugnsluckan.



Du kan stänga av ugnen ungefär 10 minuter innan tillagningsprocessen avslutas. Det sparar energi eftersom den redan uppbyggda värmen används.

Tillagningslägen

Undervärme



Använd detta ugnsläge för att bryna matens nedre del. Undervärmen avger värme till matens nedre del. Rekommenderad temperatur: 180 °C.

Över- och undervärme



Använd det här ugnsläget för att tillaga kött eller bakverk som endast kan gräddas eller stekas på en hyllnivå. Över- och undervärmen avger värme jämnt i ugnen. Rekommenderad temperatur: 200 °C.

Grill



Använd det här ugnsläget för att grilla små mängder av smörgåsar, ölkorvar eller för att rosta bröd. Det är bara grillvärmaren som är på när detta läge används. Rekommenderad temperatur: 230 °C.

Stor grill



Använd det här ugnsläget för att grilla små mängder av smörgåsar, ölkorvar, kött eller för att rosta bröd. Både grillvärmaren och övervärmen är på när detta läge används. Rekommenderad temperatur: 230 °C.

WaterClean



Använd det här ugnsläget för att ta bort fläckar och matrester från ugnen. Det är bara undervärmen som avger värme. Programmet tar 30 minuter. Rekommenderad temperatur: 70 °C.

Pizza



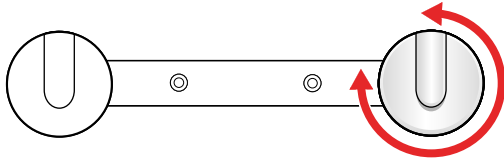
Pizzafunktionen använder hög temperatur för att grädda pizzan på mycket kort tid med saftig botten. Använd det här ugnsläget för perfekt pizza. Rekommenderad temperatur: 190 °C – 200 °C.

Slå på och stänga av ugnen

1. Vrid ugnens lägesväljare till något av tillagningslägena för att slå på den.
2. Vrid ugnens lägesväljare till **0** för att stänga av den.

Ändra ugnens temperatur

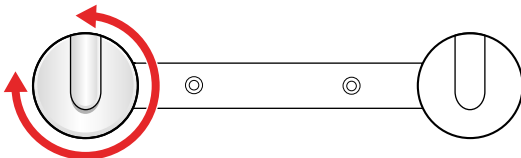
Välj en lämplig temperatur för det som du ska tillaga.



1. Vrid temperaturvredet medurs för att öka temperaturen eller moturs för att sänka temperaturen.
FÖRSIKTIGHET! Vrid inte vredet under nollläget. Det kan skada termostaten.
Temperaturintervallet är 50–275 °C.

Ändra ugnens tillagningsläge

Välj lämpligt tillagningsläge för det som du ska tillaga.



1. Vrid väljaren för tillagningsläge medurs eller moturs för att byta mellan de tillgängliga lägena.



Tillagningsläget kan också ändras under tillagning.

Guide för ugnstillagningsläge

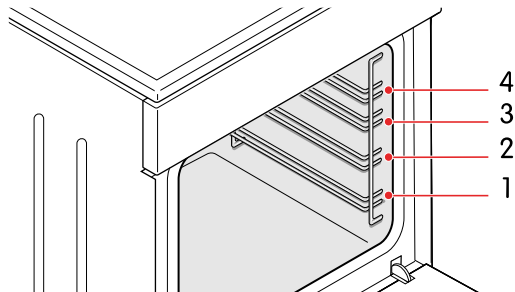
Hitta det ugnstillagningsläge som passar för dina behov med hjälp av följande tabell.

Tillagningsmetod	Typ av livsmedel	Ugnstillagningsläge
Steka	Kött	
Grill	Smörgåsar, ölkorvar	
	Smörgåsar, ölkorvar, kött	
Bryna	Matens ovansida	
	Matens undersida	
Grädda	Bakverk på en nivå	

Tillagningsmetod	Typ av livsmedel	Ugnstillagningsläge
Rosta	Bröd	
		

Trådskenor

Trådskenorna gör att du kan välja mellan 4 olika nivåer när du sätter in ett galler eller en plåt i ugnen. Nivåerna/skenorna räknas från botten och uppåt.



Ugnen är säker att använda både med och utan skenorna.



FÖRSIKTIGHET!

Placera inte bakplåtar eller andra tillagningskärl i botten av ugnen.

Grillrekommendationer

Följ dessa rekommendationer när du grillar.



WARNING!

Använd endast grillen när ugnsluckan är stängd.



WARNING!

Använd grytvantar eller köttänger. Grillvärmaren, gallret och andra ugnstillbehör blir mycket varma under grillning.

- Fövärm grillen i ungefär 5 minuter innan du använder den.
- Kontrollera maten regelbundet. Maten kan snabbt bli vidbränd på grund av den höga temperaturen.
- Smörj gallret med olja för att förhindra att köttet fastnar vid grillning direkt på det. Använd den 4:e skenan.
- Sätt in spillbrickan i den 1:a eller 2:a skenan.
- Kontrollera att det finns tillräckligt med vätska i spillbrickan när du använder en bakplåt. Annars kan maten bli vidbränd.
- Vänd på köttet.
- Rengör ugnen, tillbehören och redskapen när grillningen är klar.

Stekrekommendationer

Följ dessa rekommendationer när du steker.

- Använd emaljerade kärl, kärl av härdat glas eller lera, eller en gjutjärnspanna eller -plåt.

**OBS!**

Använd inte plåtar av rostfritt stål. De reflekterar värmen kraftigt.

- Använd tillräckligt med vätska under tillagningen för att förhindra att köttet bränns vid.
- Täck köttet för att hålla det saftigt.

Gräddningsrekommendationer

Följ dessa rekommendationer när du gräddar.

- Förvärmning rekommenderas.
- Du kan grädda kex och kakor på grunda bakplåtar på flera nivåer (2:a och 3:e) samtidigt.

**OBS!**

Kexen eller kakorna på den övre bakplåten kan bli färdiga tidigare än de som finns på den nedre.

- Placera alltid bakplåtarna på gallret. Ta bort gallret om du använder den medföljande bakplåten.

**FÖRSIKTIGHET!**

Placera inte den djupa bakplåten på den första skenan.

- Se till att kexen är lika tjocka så att de gräddas jämnt.
- Baktillbehör kan ändra form när de blir varma. Det påverkar inte deras funktion och de återgår till sin ursprungliga form när de svalnar.

RENGÖRING

Rengör produkten regelbundet för att se till att den varar länge och behåller sitt utseende.

**VARNING!**

Barn får inte rengöra produkten utan tillsyn.

**VARNING!**

Risk för elstötar!

- Koppla bort produkten från elnätet före rengöring.
- Använd inte ångrengöringsmaskin eller högtryckstvätt för att rengöra produkten, eftersom det kan leda till elchocker.

**FÖRSIKTIGHET!**

Vänta alltid tills produkten har svalnat före rengöring.

Rengöra hällens yta

Rengör alltid hällens glaskeramiska yta på rätt sätt för att säkerställa långvarig användning och oförändrat utseende.

**FÖRSIKTIGHET!**

- Använd inte stålull, slipande svampar eller slipande pulver, eftersom de kan repa ytan. Aggressiva sprayrengöringsmedel, avkalkningsmedel och andra olämpliga flytande rengöringsmedel kan skada ytan.
- Var noga med att få bort alla rester av rengöringsmedel från ytan efter rengöringen, eftersom de kan skada ytan när du värmer upp tillagningszonerna nästa gång.

**FÖRSIKTIGHET!**

Om socker, eller mat med hög sockerhalt, spills på ytan när den är varm – ta omedelbart bort sockret från den varma ytan med hjälp av en skrapa eller en trasa. Annars kan ytan skadas.

Rengör aldrig en varm yta med rengöringsmedel.

- Använd speciella skötselprodukter vid rengöring av hällen som skapar en skyddsfilm på ytan som förhindrar att smuts fastnar.
- Avlägsna mindre orenheter med en fuktig trasa. Torka sedan ytan torr.
- Ta bort vattenfläckar med en mild ättikslösning. Använd inte denna lösning på ramen eftersom den kan förlora sin glans.
- För ingrodd smuts, använd specialrengöringsmedel för glaskeramiska hällar och följ tillverkarens instruktioner. Om inget annat fungerar, avlägsna ingrodd smuts med en skrapa. Håll skrapan i korrekt vinkel (45° till 60°), tryck skrapan försiktigt mot glaset och dra den för att avlägsna smutsen.

Missfärgning av den glaskeramiska ytan brukar bero på att matrester har bränt fast på ytan eller att tillagningskärl av olämpligt material (som aluminium eller koppar) har använts. Sådan missfärgning är mycket svår att få bort helt men påverkar inte hällens funktion och täcks därför inte av garantin.

Rengöra glasytor

Rengör glasytor med utrustning och rengöringsmedel som är avsedda för rengöring av glas, speglar och fönster.

**FÖRSIKTIGHET!**

Använd inte slipande rengöringsmedel eller vassa metallskrapor, eftersom de kan göra att ytan spricker och glaset går sönder.

Rengöra ytor av rostfritt stål

Rengör ytor av rostfritt stål med ett mildt rengöringsmedel och en mjuk svamp som inte repar ytan.

**FÖRSIKTIGHET!**

Använd inte slipande rengöringsmedel eller rengöringsmedel som innehåller lösningsmedel, eftersom de kan skada ytan.

Rengöra emaljytor

Rengör emaljytor med en fuktig svamp. Ta bort fettfläckar med varmt vatten och specialrengöringsmedel för emalj.

**FÖRSIKTIGHET!**

Rengör inte emaljytor med slipande rengöringsmedel eller verktyg, eftersom de kan vålla permanent skada.

Rengöra plastdelar och lackerade ytor

Ta omedelbart bort fläckar på plastdelar och lackerade ytor med en mjuk, icke-slipande trasa och lite vatten. Du kan också använda rengöringsmedel och rengöringsverktyg för plastytor och lackerade ytor. Följ tillverkarens anvisningar.

**FÖRSIKTIGHET!**

Använd inte slipande rengöringsmedel, slipande verktyg eller alkoholbaserade rengöringsmedel.

Rengör ugnen

Rengör ugnsutrymmet regelbundet.

**FÖRSIKTIGHET!**

Luta dig inte mot den öppna luckan när du rengör ugnsutrymmet. Stå aldrig på den öppna ugnsluckan och låt inte barn sitta på den. Ugnsluckans gångjärn kan gå sönder vid för stor belastning.

**FÖRSIKTIGHET!**

Använd inte rengöringsprodukter som innehåller slipmedel. De repar emaljbelagda ytor.

- Rengör ugnsväggarna med en fuktig svamp och rengöringsmedel. Använd ett specialrengöringsmedel för emalj för inbrända fläckar.
- Torka noggrant ugnen torr efter att ha rengjort den.
- Rengör trådskenorna och teleskopskenorna med vanligt rengöringsmedel.

**FÖRSIKTIGHET!**

Diska inte teleskopskenorna i diskmaskin.


- Rengör ugnsledskåpen med en svamp och rengöringsmedel. Du kan använda specialrengöringsmedel för svåra eller fastbrända fläckar.

Använda WaterClean-programmet

Med hjälp av WaterClean-programmet kan du enkelt ta bort fläckar och matrester från ugnen.

**FÖRSIKTIGHET!**

Kontrollera att ugnen har svalnat innan du startar WaterClean-programmet.

1. Vrid väljaren för tillagningsläge till .
2. Vrid temperaturvredet till 70 °C.
3. Häll 0,6 l vatten i en djup bakplåt och placera den på den nedre skenan.

4. Låt programmet köra i 30 minuter. Matresterna mjukas upp.
5. Rengör ugnens emaljväggar med en fuktig trasa.

FELSÖKNING

Du kan lösa många mindre problem med hjälp av felsökningsinformationen. Om problemet kvarstår, försök inte att reparera produkten på några andra sätt än de som nämns i den här bruksanvisningen.

**WARNING!**

Risk för elstötar!

- Försök inte att utföra några reparationer själv. Ändringar av produkten och reparation utförd av lekman kan orsaka personskada och skada produkten. Det medför också att garantin blir ogiltig. Kontakta istället en servicetekniker.
- Byt inte ut strömsladden själv. Om strömsladden är skadad måste den bytas av tillverkaren eller auktoriserad tekniker för att undvika fara.

Huvudsäkring i hemmet utlöses ofta

Effekten för alla påslagna apparater överskrider elnätets kapacitet i hemmet

Kontakta en servicetekniker.

Ugnsbelysningen fungerar inte

Ugnsbelysningen måste bytas

Se avsnitt "Byta ugnsbelysningens glödlampa", [sida 96](#).

Maten är inte färdiglagad

Problemet kan ha olika orsaker. Följ anvisningarna för de föreslagna orsakerna för att lösa problemet.

Fel temperatur eller tillagningsläge har valts

Kontrollera att du har valt rätt temperatur och tillagningsläge.

Ugnsluckan är öppen

Kontrollera att ugnsluckan är stängd.

Byta delar

Byta ugnsbelysningens glödlampa

När glödlampan går sönder, byt ut den mot en halogenlampa av typen G9, 25 W.

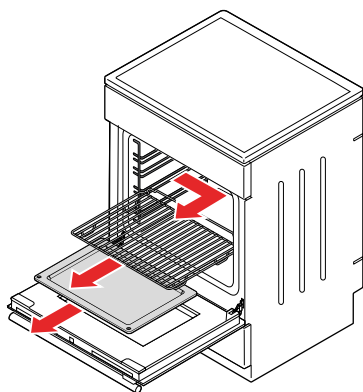
**WARNING!**

Risk för elstötar! Koppla alltid bort produkten från elnätet innan du byter glödlampan.

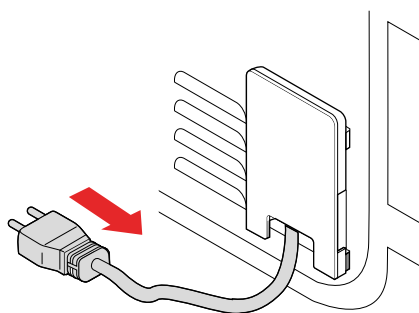
**OBS!**

Glödlampan täcks inte av garantin eftersom den är en förbrukningsartikel.

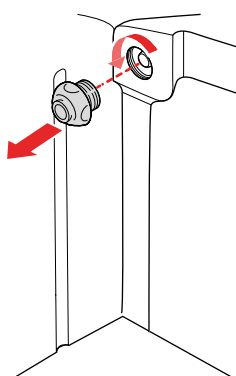
1. Ta ut gallret, skenorna och plåtarna.



2. Koppla bort spisen från elnätet.

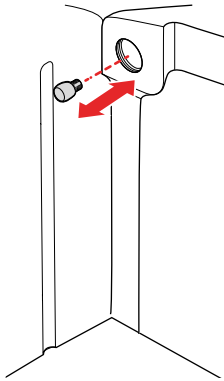


3. Ta bort glödlampan.

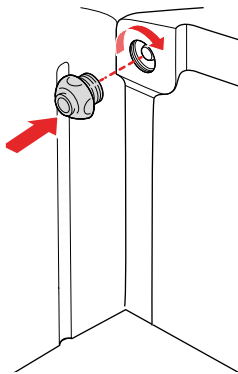


4. Byt glödlampan.

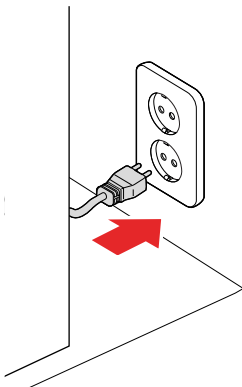
VARNING! Använd skydd när du tar bort den gamla glödlampan för att inte bränna dig.
FÖRSIKTIGHET! Skada inte emaljytan.



5. Installera skyddet.



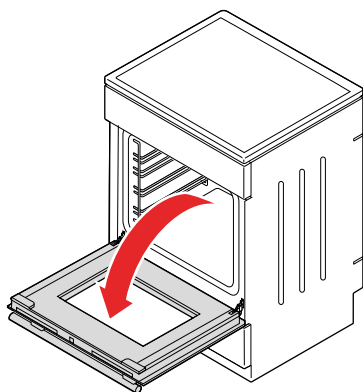
6. Anslut spisen till elnätet.



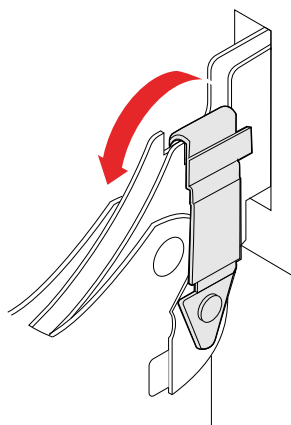
Byta ugnsluckan

Ta bort och byt ugnsluckan om den är trasig eller om du behöver ta bort ugnsluckans glasruta.

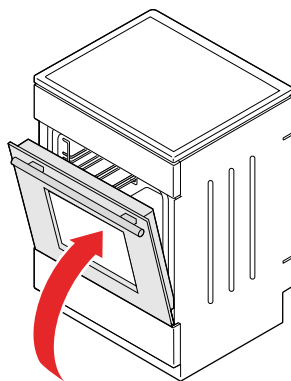
1. Öppna ugnsluckan helt.



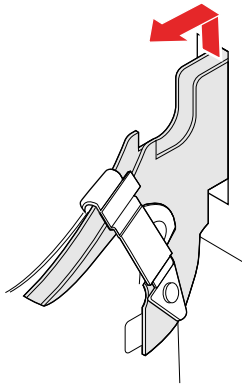
2. Lyft upp och fäll ned spärrarna på gångjärnen.



3. Fäll luckan försiktigt till en vinkel på cirka 15°.



4. Ta bort luckan: dra ut gångjärnen ur öppningarna.



Installera i omvänd ordning.



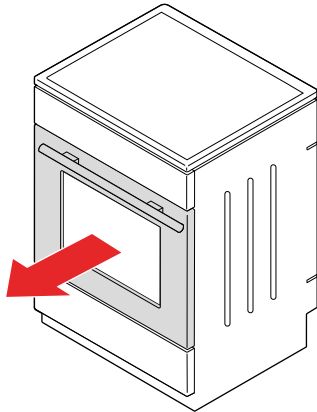
FÖRSIKTIGHET!

Kontrollera att gångjärnen är korrekt placerade i sina hakar. Annars kanske luckan inte kan öppnas och stängas ordentligt.

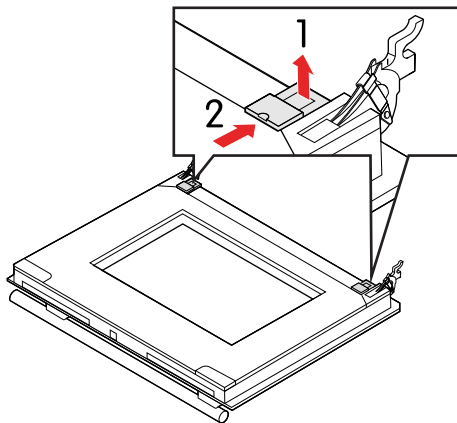
Ta bort och installera ugnsluckans glasrutor

Ta bort ugnsluckans glasruta om den är trasig eller om du vill rengöra den.

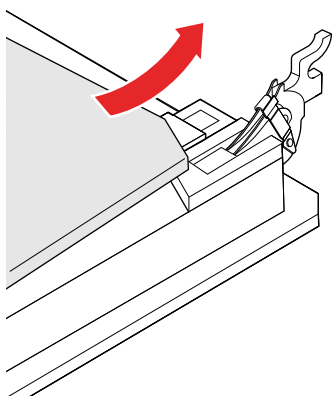
1. Ta bort ugnsluckan från apparaten.



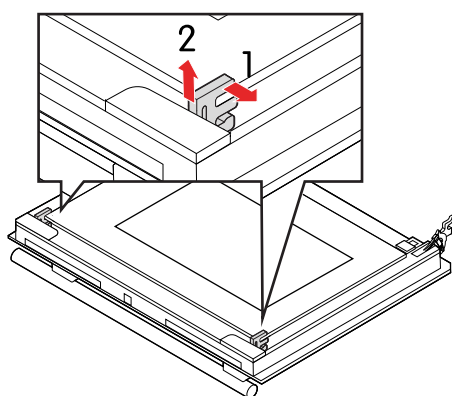
2. Lyft stöden något och dra av dem från glaset.



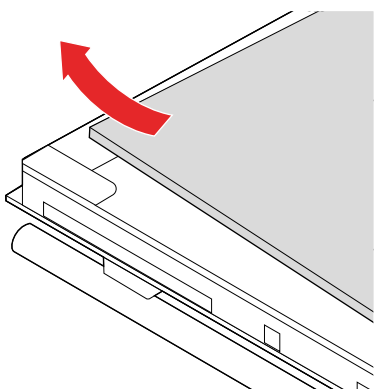
3. Lyft upp glasrutans nedre del och ta bort den.



4. Vrid lite på gummihållarna och dra av dem från den resterande glasrutan.



5. Lyft upp den resterande glasrutans övre del och ta bort den.



Installera i omvänd ordning.



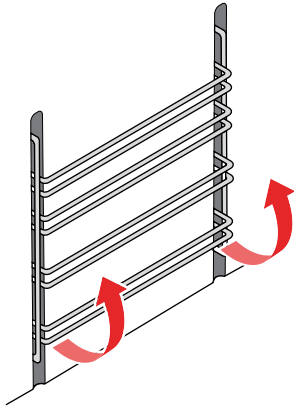
OBS!

Markeringarna (halvcirkel) på luckan och glasrutan ska överlappa.

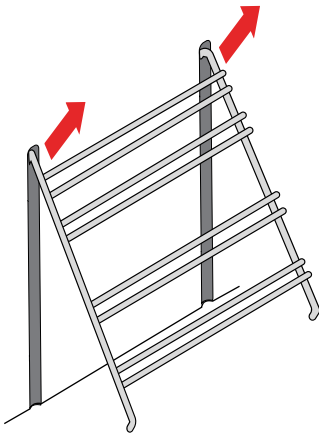
Ta bort och installera trådskenorna

Följ den här proceduren för att ta bort och installera trådskenorna.

1. Dra skenornas nederkant ut från ugnsväggen.



2. Dra ut skenorna ur hålen på överkanten.



Installera skenorna i omvänd ordning.

Anslutning av strömsladdens ledare

Om strömsladden är skadad måste den bytas omedelbart.



VARNING!

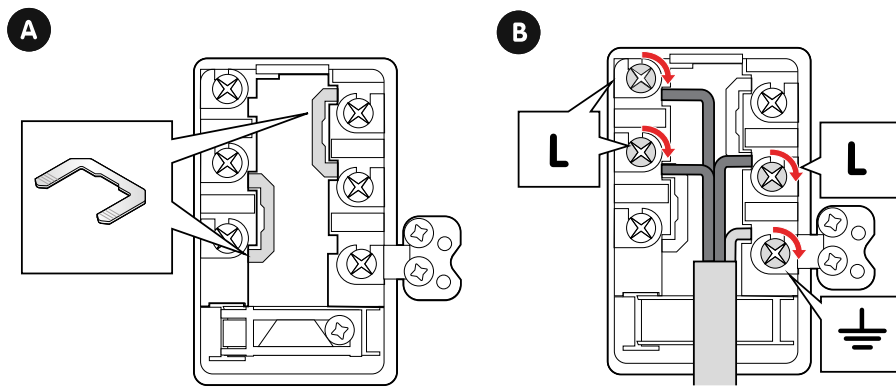
- Byt inte ut strömsladden själv. Om strömsladden är skadad måste den bytas av tillverkaren eller auktoriserad tekniker för att undvika fara.
- Einstallationen måste följa lokala bestämmelser.
- Använd en 4x1,5 mm² kabel märkt H05VV-F 4G1.5 eller bättre.



OBS!

Kostnader för reparationer eller garantianspråk till följd av felaktig anslutning eller användning av produkten täcks inte av garantin.

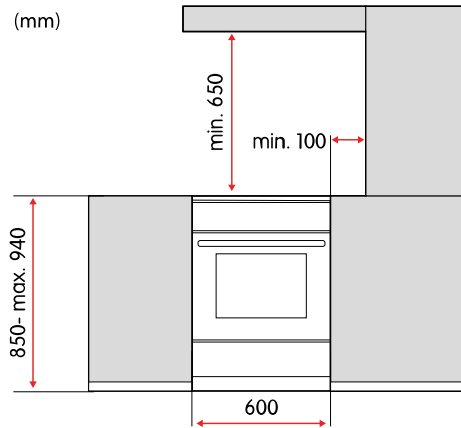
Följande illustration visar hur strömsladdens ledare ansluts. Se A för installation av bryggorna och B för anslutning av kabelns ledare.



INSTALLATION

Placering av spisen

Placera ugnen enligt måtten och andra faktorer som beskrivs i detta avsnitt.



VARNING!
Brandrisk!

- Kontrollera att golvet och angränsande väggar tål temperaturer på minst 90 °C.
- Installera inte ugnen bakom en dekorlucka, eftersom den riskerar att överhettas.



VARNING!

Ugnen är avsedd att placeras direkt på golvet utan stöd eller socklar.



FÖRSIKTIGHET!

Installera inte ugnen nära kraftfulla värmekällor, som t.ex. eldstäder, eftersom den höga temperaturen kan skada ugnen.

Fäst spisen i en vägg

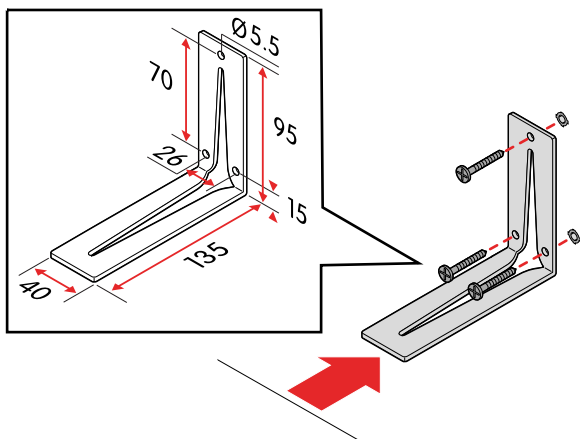
Genom att göra fast spisen i en vägg förhindras att den tippar.



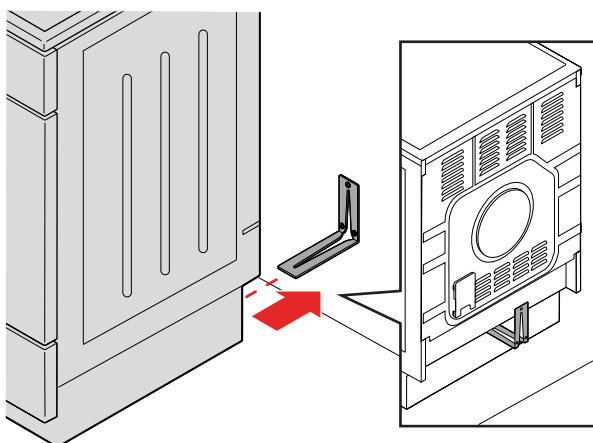
VARNING!

Tipprisk! Stabiliseringsanordningar måste installeras för att förhindra tippning.

1. Fäst hållaren i väggen med de medföljande skruvarna och förankringarna.
VARNING! Om de medföljande skruvarna och förankringarna inte är lämpliga för väggen, använd andra som garanterar en säker installation på väggen.



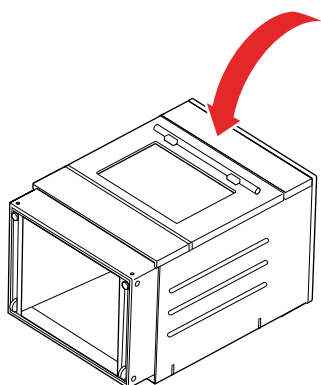
2. Placera spisen på hållaren och gör fast den.



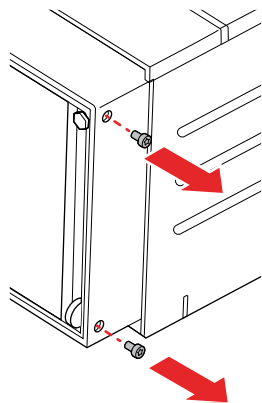
Justera spisens höjd

Du kan justera spisens höjd från 850 mm till 940 mm.

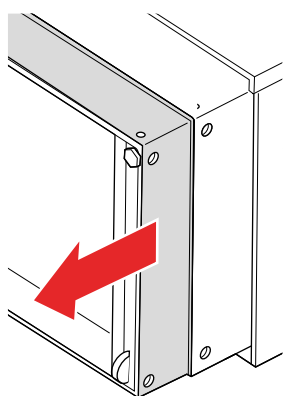
1. Placera spisen på golvet så att den ligger på sin baksida.



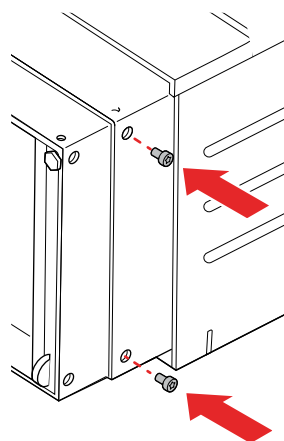
2. Skruva loss skruvarna.



3. Justera höjden.



4. Skruva i skruvarna igen.



Planjustera spisen

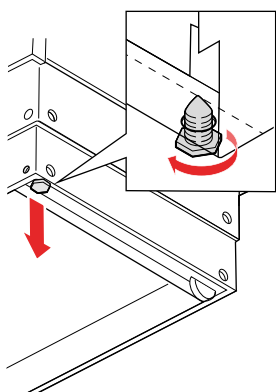
Planjustera spisen genom att justera höjden på det främre stödet och de bakre hjulen individuellt.



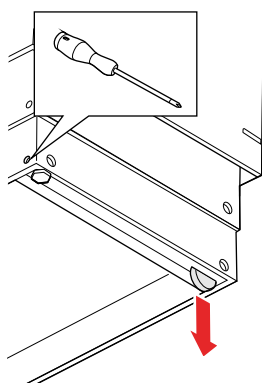
VARNING!

Spisen måste installeras planjusterad horisontellt.

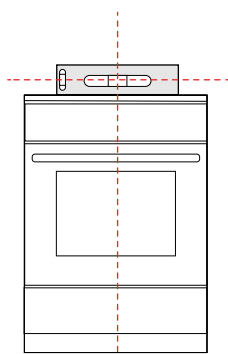
1. Justera höjden genom att vrida det främre stödet.



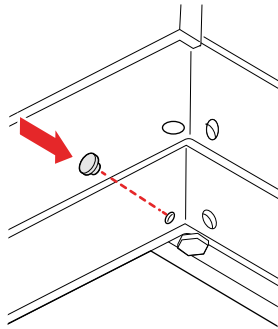
2. Justera de bakre hjulens höjd genom att vrida hjulens justeringsskruvar.



3. Kontrollera den horisontella positionen genom att lägga ett vattenpass ovanpå spisen. Justera om det behövs.



4. Sätt i blindpluggarna i hålen.



Anslutning till elnätet

Spisen levereras med en monterad strömsladd som är klar att anslutas till ett 400 V, 50 Hz-uttag.



VARNING!

Om produkten ska anslutas med en fast elanslutning:

- Anslut inte produkten till elnätet själv. Produkten får endast anslutas av en behörig tekniker.
- För anslutning, använd en 4x1,5 mm² kabel märkt H05VV-F 4G1,5 eller bättre.



VARNING!

- Einstallationen måste följa lokala bestämmelser.
- Använd inte en extern timer eller ett separat fjärrkontrollsystem för att styra produkten.



FÖRSIKTIGHET!

Läs instruktionerna noggrant innan apparaten ansluts. Kostnader för reparationer eller garantianspråk till följd av felaktig anslutning eller användning av apparaten täcks inte av garantin.

1. Anslut kontakten till ett 400 V, 50 Hz-uttag.

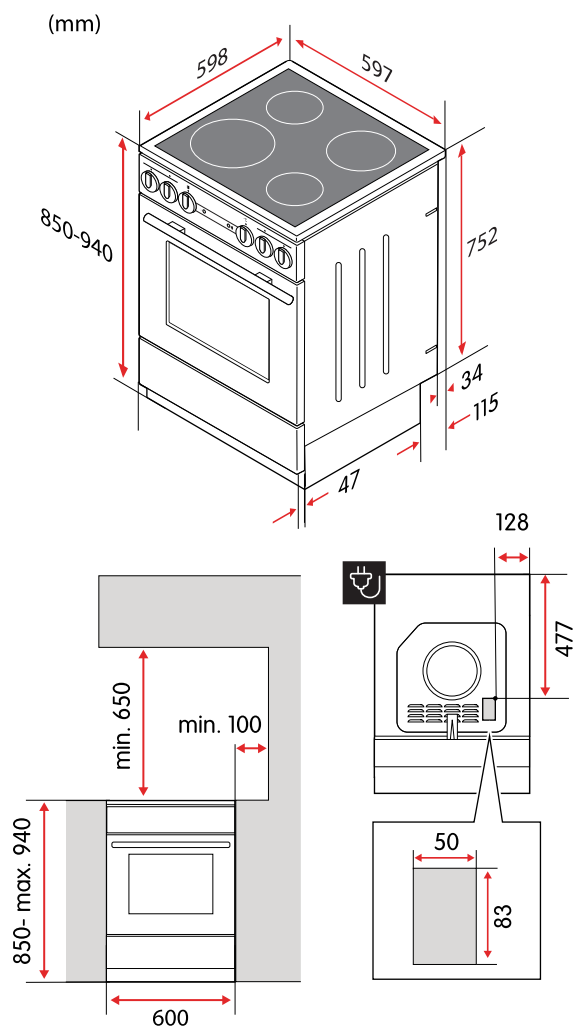
BILAGA

Specifikationer

Produktkod	CCS46401VN-E2
Höjd	85-94 cm
Bredd	59,7 cm
Djup	59,8 cm
Vikt	46,8 kg
Ugnsvolym	74 l
Strömförsörjning	380–415 V 3~, 50 Hz
Märkeffekt för elanslutning	9 300 W

Tillagningszon	Diameter	Effekt
Främre vänster	21 cm	2,3 kW
Bakre vänster	14,5 cm	1,2 kW
Bakre höger	18 cm	1,8 kW
Främre höger	14,5 cm	1,2 kW

Mått



EU-direktiv och standarder

Denna produkt uppfyller kraven i tillämpliga EU-direktiv och EU-förordningar och är CE-märkt. EU-försäkran om överensstämmelse är tillgänglig på begäran om den inte medföljer produkten.

Produktens prestanda har testats i enlighet med standarden EN 60350-1.

Innhold

SIKKERHET	113
Påminnelser	113
Bruksområde	113
Sikkerhet for barn og personer med nedsatt funksjonsevne	113
Generell sikkerhet	114
Sikkerhet under montering	114
Sikkerhet under bruk	115
Sikkerhet under vedlikehold	116
Sikkerhetsetiketter	117
Kassering	117
HURTIGSTART	118
Hurtigstart – ovn	118
Hurtigstart – koketopp	119
KOMME I GANG	120
Før komfyren tas i bruk	120
Oversikt over platetoppen	120
Komfyrens betjeningselementer	120
Åpne barnesikringen	120
Slå barnesikringen på temperaturvelgeren på og av	121
Tilbehør	122
MATLAGING MED PLATETOPPEN	123
Platetoppens overflate	123
Egnede kokekar	123
Slå kokesonene på og av	123
Spare strøm	123
Restvarmeindikator	124
MATLAGING MED STEKEOVNEN	125
Stekemoduser	125
Undervarme	125
Over- og undervarme	125
Grill	125
Stor grill	125
WaterClean	125
Pizza	125
Slå ovnen på og av	126
Endre temperaturen i ovnen	126
Endre ovnens stekemodus	126
Veiledning til stekemodus	126
Skinner	127
Grillanbefalinger	127

Stekeanbefalinger	127
Bakeanbefalinger	128
RENGJØRING	129
Rengjøre platetoppen	129
Rengjøring av glassoverflater	129
Rengjøring av overflater i rustfritt stål	129
Rengjøring av emaljerte overflater	130
Rengjøring av plastdeler og lakkerte overflater	130
Rengjøre stekeovnen	130
Bruke WaterClean-programmet	130
FEILSØKING	131
Hovedsikringen i boligen utløses ofte	131
Lyset i stekeovnen fungerer ikke	131
Maten blir ikke tilstrekkelig kokt/stekt	131
Skifte deler	131
Skifte lyspæren i stekeovnen	131
Skifte stekeovnsdøren	133
Fjerne og montere glassrutene i stekeovnsdøren	135
Fjerne og montere skinnene	136
Strømkabelens ledningstilkoblinger	137
INSTALLERING	139
Plassering av komfyren	139
Feste komfyren til veggen	139
Justere komfyrens høyde	140
Sette komfyren i vater	141
Koble til strømnettet	143
TILLEGG	144
Spesifikasjoner	144
Mål	145
EU-direktiver og standarder	145

SIKKERHET

Les anvisningene nøye før du installerer produktet og tar det i bruk. Ta vare på anvisningene og oppbevar dem i nærheten av produktet for fremtidig bruk. Alle garantier blir ugyldige hvis disse anvisningene ikke følges.

Påminnelser

**ADVARSEL!**

Brukes hvis det er risiko for personskade.

**OBS!**

Brukes hvis det er risiko for skade på produktet.

**NB:**

Generell informasjon som du må være oppmerksom på.



Nyttige tips som kan være til hjelp.

Bruksområde

Dette produktet er beregnet

- for bruk i husholdninger.
- for oppvarming og tilberedning av ulike matvarer.
- for plassering rett på gulvet uten støtter eller sokler.

Dette produktet er ikke beregnet

- brukt til andre formål enn matlaging, for eksempel romoppvarming eller lignende formål.
- for montering som innebygd enhet.
- for bruk utendørs.
- for styring av eksterne tidsur eller separate reguleringsystemer.

Sikkerhet for barn og personer med nedsatt funksjonsevne.

**ADVARSEL!**

Følgende grupper skal kun bruke produktet hvis de er under tilsyn eller har fått anvisninger i hvordan produktet brukes på en trygg måte. De må forstå farene som er involvert.

- Barn fra 8 år og oppover. (Barn under 8 år må hele tiden være under tilsyn eller holdes unna produktet.)
- Personer med nedsatt fysisk, sensorisk eller kognitiv funksjonsevne.
- Personer som mangler erfaring og kunnskap.

**ADVARSEL!**

- Ikke la barn leke med produktet.
- Ikke la barn rengjøre produktet uten tilsyn.

**ADVARSEL!**

Bruk bare komfyrbeskyttelse som er designet eller anbefalt av produsenten. Bruk av uegnet komfyrbeskyttelse kan føre til ulykker.

Generell sikkerhet



ADVARSEL!

Brannfare!

- Unngå å oppbevare gjenstander på platetoppen.
- Unngå å oppbevare brennbare, eksplosjonsfarlige, ustabile eller temperaturfølsomme gjenstander (for eksempel papir, oppvaskkluter, plastposer, rengjørings- eller oppvaskmiddel eller spraybokser) i oppbevaringsskuffen på komfyren. De kan antennes og forårsake brann når komfyren er i bruk. Matlaging med fett eller olje uten tilsyn kan forårsake brann.
- Prøv aldri å slukke en brann med vann. Slå i stedet av produktet og dekk til flammen med for eksempel et lokk eller et brannteppe.



ADVARSEL!

Risiko for elektrisk støt!

- Hvis platetoppen sprekker, må produktet slås av umiddelbart og kobles fra strømmettet. Ikke bruk eller berør produktet.
- Hold strømledninger til andre apparater på trygg avstand, slik at de ikke setter seg fast i stekeovnsdøren. Ledningene kan bli skadet og forårsake kortslutning.

Sikkerhet under montering



ADVARSEL!

Brannfare!

- Kontroller at gulvet og sideveggene tåler minst 90 °C.
- Ikke installer produktet bak en dekorfront. Den kan bli overopphetet.



ADVARSEL!

Forsikre deg om at all emballasje er fjernet fra stekeovnen.



ADVARSEL!

- Produktet er ment for plassering direkte på gulvet uten støtte eller sokkel.
- Hvis de medfølgende skruene eller pluggene ikke er egnet for veggen, må du bruke skruer og pluggere som gir sikkert feste i veggen.
- Komfyren skal monteres i vater.



ADVARSEL!

Risiko for elektrisk støt! Du må ikke koble produktet til strømmettet selv. Produktet skal kun kobles til av en autorisert tekniker.



ADVARSEL!

- Den elektriske installasjonen må følge gjeldende bestemmelser.
- Forviss deg om at jordledningen er riktig sikret ved tilkobling til strømforsyningen.
- For enfaset strømforsyning brukes en 3×4,0 mm² kabel merket H05VV-F 3G4 eller bedre.
- For trefaset strømforsyning brukes en 5×1,5 mm² kabel merket H05VV-F 5G1.5 eller bedre.
- Ikke bruk eksterne tidsur eller separate fjernkontrollsystemer til å styre produktet.



OBS!

Ikke installer produktet nær sterke varmekilder som f.eks. ovner med fast brensel. Den høye temperaturen kan skade produktet.



OBS!

Les bruksanvisningen nøye før tilkobling av apparatet til strømforsyningen. Reparasjon eller garantikrav som følge av feil tilkobling eller bruk av produktet dekkes ikke av garantien.

Sikkerhet under bruk

**ADVARSEL!**

Matlagingsprosessen må alltid overvåkes kontinuerlig.

**ADVARSEL!**

Hvis overflaten til koketoppen knuses, må produktet kobles fra strømmettet umiddelbart. Ikke bruk produktet.

**ADVARSEL!**

Brannfare! Pass på at lufteåpningene aldri blir tildekket eller tett til på annen måte.

**ADVARSEL!**

Det er risiko for forbrenning på grunn av restvarme. Kokesonen varmes opp indirekte av det oppvarmede kokekaret, og forblir varm en stund etter at den er slått av.

**ADVARSEL!**

Risiko for forbrenning!

- Kokekar og de tilgjengelige delene av produktet kan bli svært varme under bruk. Unngå å berøre varme deler.
- Stekeovnsdøren kan bli svært varm under bruk.
- Ikke plasser metallgjenstander som kniver, gaffler, skjeer eller lokk på kokesonene. Slike gjenstander kan bli svært varme.

**ADVARSEL!**

- Bruk grillen kun med stekeovnsdøren lukket.
- Bruk grytevotter eller grilltang. Grillelementet, risten og annet ovnstilbehør blir svært varme under grilling.

**OBS!**

- Overflaten er svært bestandig mot temperaturendringer, men kan bli skadet av tunge gjenstander som faller ned. Overflaten kan sprekke umiddelbart eller en stund etter at den blir truffet.
- Pass på at kokesonen og bunnen av kokekarene er rene og tørre for å forbedre ytelsen og unngå skade på overflaten.
- Hvis det søles sukker eller mat med høyt sukkerinnhold på overflaten mens den er varm, må sukkeret fjernes fra overflaten umiddelbart med en nal eller en skrape. Ellers kan overflaten bli skadet.
- Bruk aldri vaskemiddel eller annet rengjøringsmiddel til å rengjøre en varm overflate.
- Ikke bruk platetoppen til oppbevaring. Det kan føre til riper eller skader.

**OBS!**

Still ikke temperaturvelgeren under nullposisjonen ved endring av stekeovnstemperaturen. Dette kan skade termostaten.

**OBS!**

- Kontroller at bunnen på kokekaret passer til kokesonens diameter. Hvis kokekaret er for lite, går noe av varmen tapt og kokesonen kan bli skadet.
- De innvendige veggene i stekeovnen må ikke dekkes med aluminiumsfolie. Aluminiumsfolie hindrer luftsirkulasjonen i stekeovnen, hindrer tilberedningen og ødelegger emaljebelegget.
- Ikke sett stekeplater eller andre kokekar i bunnen av ovnen.
- Ikke sett langpanner på den laveste skinnen.

Sikkerhet under vedlikehold



ADVARSEL!

Risiko for elektrisk støt!

- Ikke prøv å utføre noen reparasjoner selv. Inngrep i produktet og ukvalifiserte reparasjoner kan føre til personskade eller skade på produktet. Det fører også til at garantien blir ugyldig. Kontakt i stedet en servicetekniker.
- Du må ikke skifte strømledningen selv. Hvis strømledningen blir skadet, må den skiftes av produsenten eller en autorisert tekniker for å unngå fare.



ADVARSEL!

Risiko for elektrisk støt! Koble alltid produktet fra strømmettet før lyspæren skiftes.



ADVARSEL!

Bruk beskyttelse for å unngå at du brenner deg når du fjerner en gammel lyspære.



ADVARSEL!

Ikke la barn rengjøre produktet uten tilsyn.



ADVARSEL!

Risiko for elektrisk støt!

- Trekk ut støpselet før rengjøring.
- Ikke bruk dampvasker eller høytrykksvasker til å rengjøre produktet. Det kan føre til elektrisk støt.



ADVARSEL!

Kontroller at låsehakene er riktig plassert i sidelistene på døren før du monterer den. Dette hindrer at hengslene plutselig lukkes, noe som kan føre til personskade eller skade på gulvet.



OBS!

- Vent alltid til produktet er avkjølt før det rengjøres.
- Forsikre deg om at ovnen er avkjølt før du starter WaterClean-programmet.



OBS!

- Ikke bruk stålull, grove rengjøringsvumper eller skurepulver. Det kan ripe opp overflaten. Sterke sprayrengjøringsmidler, kalkfjerningsmidler og andre uegnede flytende rengjøringsmidler kan også skade overflaten.
- Ikke bruk grove skuremidler eller skarpe metallskrapere ved rengjøring av glassoverflatene. Det kan føre til at overflaten og glasset sprekker.
- Ikke bruk skuremidler eller rengjøringsmidler som inneholder løsemidler ved rengjøring av overflater av rustfritt stål. Det kan skade overflaten.
- Bruk ikke slipende rengjøringsmidler eller redskaper ved rengjøring av emaljerte overflater, ettersom slike kan forårsake permanente skader.
- Bruk ikke slipende rengjøringsmidler, slipende redskaper eller alkoholdbaserte rengjøringsmidler ved rengjøring av plastdeler og lakkerte overflater.
- Fjern alle rester av rengjøringsmiddel fra overflaten etter rengjøring. Ellers kan overflaten bli skadet neste gang kokesonene varmes opp.



OBS!

- Hvis det søles sukker eller mat med høyt sukkerinnhold på overflaten mens den er varm, må sukkeret fjernes fra overflaten umiddelbart med en nal eller en skraper. Ellers kan overflaten bli skadet.
- Bruk aldri vaskemiddel eller annet rengjøringsmiddel til å rengjøre en varm overflate.



OBS!

Unngå å lene deg på den åpne døren når ovnsrommet rengjøres. Stå aldri på den åpne stekeovnsdøren, og ikke la barn sitte på den. Hengslene på stekeovnsdøren kan bli skadet hvis de utsettes for tung belastning.

**OBS!**

Teleskopskinnene må ikke vaskes i oppvaskmaskin.

**OBS!**

Ikke skad den emaljerte overflaten ved utskifting av lyspæren.

Sikkerhetsetiketter

Følgende sikkerhetsetiketter finnes på produktet.



OBS! Risiko for velt.



Advarsel! Det skal installeres stabilisering for å hindre velt.

Kassering



Kast emballasjen på en miljøvennlig måte. Gjenvinning av emballasje i henhold til gjeldende bestemmelser kan redusere forbruket av råmaterialer og avfallsmengden.

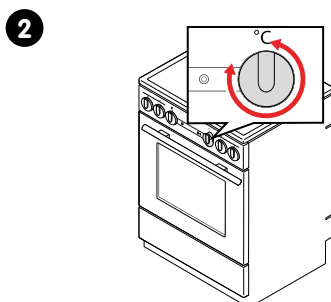
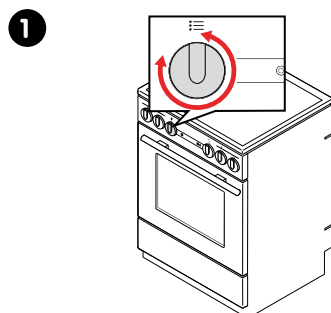
Dette produktet er merket i samsvar med EU-direktiv 2012/19/EU om kassering av elektriske og elektroniske produkter (WEEE). Symbolet på produktet eller på emballasjen angir at produktet ikke skal behandles som husholdningsavfall. Det skal i stedet leveres til et egnet returpunkt for resirkulering av elektrisk og elektronisk utstyr.

Ved å sørge for at produktet kasseres som det skal, bidrar du til hindre eventuell skade på miljø og mennesker, noe som kan skje hvis du kasserer det på annen måte. Kontakt lokale myndigheter med ansvar for avfallshåndtering, renovasjonsselskapet eller butikken der du kjøpte produktet hvis du ønsker mer informasjon om resirkulering av dette produktet.

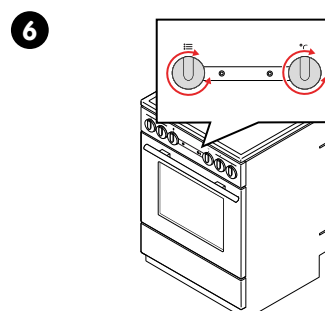
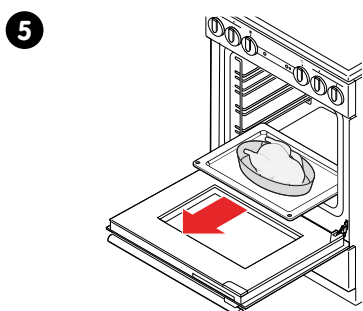
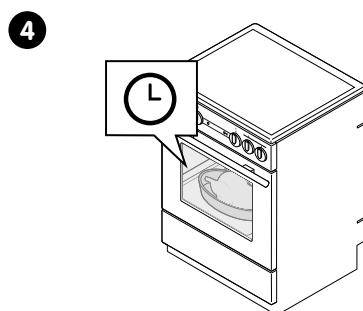
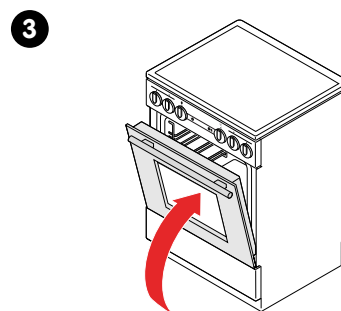
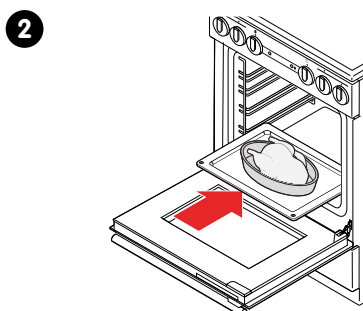
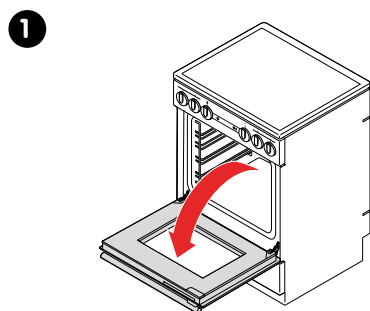
HURTIGSTART

Hurtigstart – ovn

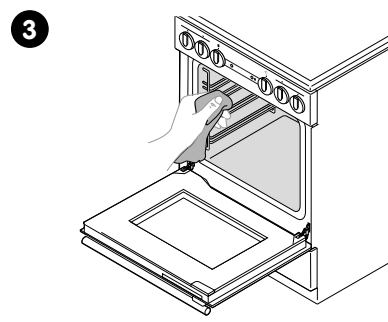
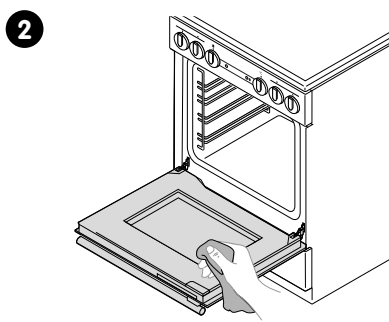
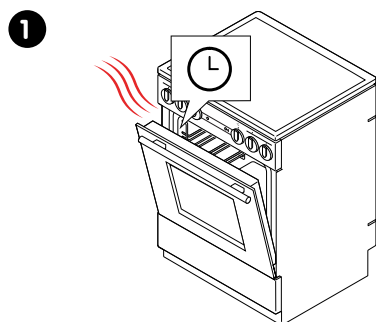
Velg stekemodus og temperatur



Tilberedning

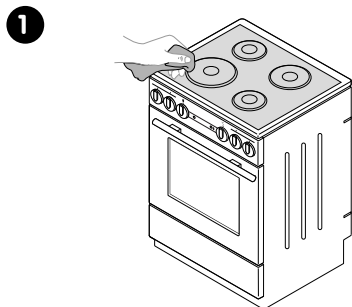


Etter tilberedning

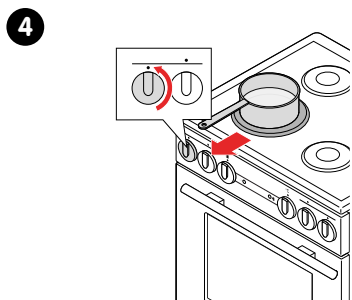
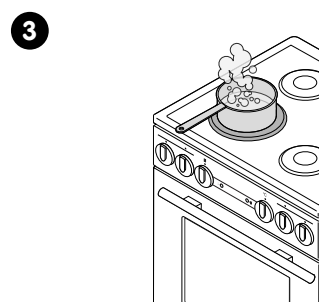
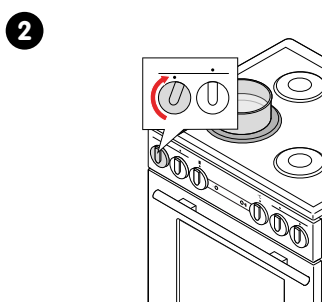
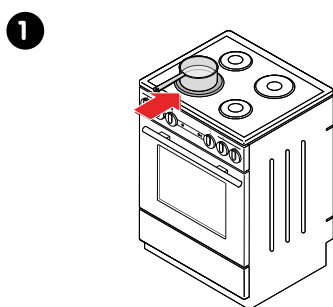


Hurtigstart – koketopp

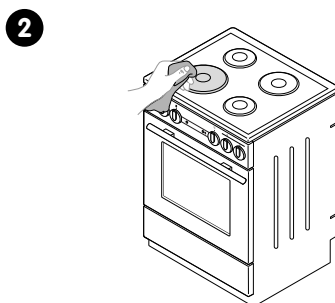
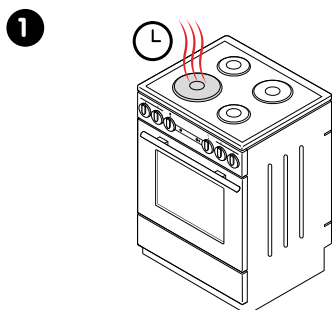
Før tilberedning



Tilberedning



Etter tilberedning

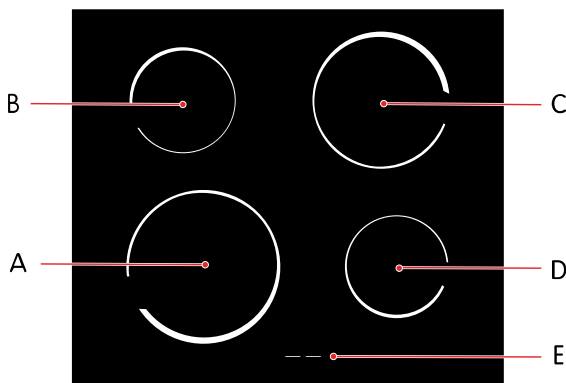


KOMME I GANG

Før komfyren tas i bruk

1. Fjern all emballasje og alt transportutstyr fra komfyren.
2. Rengjør alt tilbehør og redskaper med varmt vann og vanlig oppvaskmiddel. Ikke bruk skuremiddel / slipende rengjøringsmiddel.
3. Rengjør den glasskeramiske overflaten med en fuktig klut og litt oppvaskmiddel. Ikke bruk sterke rengjøringsmidler, for eksempel skuremidler som kan forårsake riper, slipende oppvasksvamper eller flekkfjerner.
4. Varm opp stekeovnen til 275 ° C i 60 minutter. Sørg for utlufting av rommet. Stekeovnen avgir den karakteristiske lukten til nye apparater.
ADVARSEL! Forsikre deg om at all emballasje er fjernet fra stekeovnen.

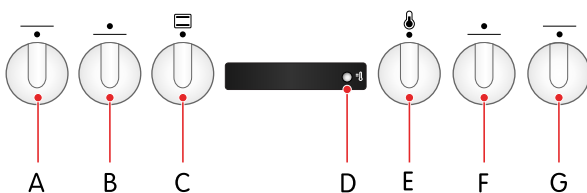
Oversikt over platetoppen



- A. Fremre venstre kokesone
- B. Bakre venstre kokesone
- C. Bakre høyre kokesone
- D. Fremre høyre kokesone
- E. Restvarmeindikator

Komfyrens betjeningselementer

Drei på velgerne for å betjene komfyren.



- A. Effektvelger for fremre venstre kokesone
- B. Effektvelger for bakre venstre kokesone
- C. Velger for stekemodus
- D. Temperaturindikatorlampe (rød)
- E. Temperaturvelger for stekeovn
- F. Effektvelger for bakre høyre kokesone
- G. Effektvelger for fremre høyre kokesone

Lys

Temperaturindikatorlampen slås på når stekeovnen varmes opp, og slås av når stekeovnen har nådd valgt temperatur.

Åpne barnesikringen

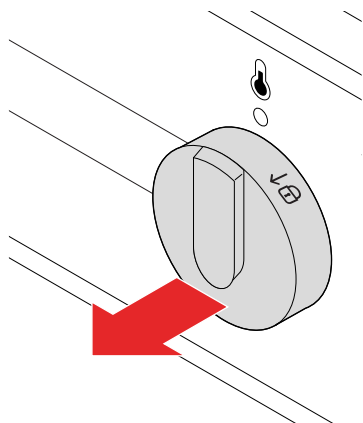
Stekeovnsdøren låses automatisk når du lukker den.

1. Skyv barnesikringen forsiktig til høyre med tommelen.
2. Trekk i ovnsdøren mens du holder på barnesikringen.

Slå barnesikringen på temperaturvelgeren på og av

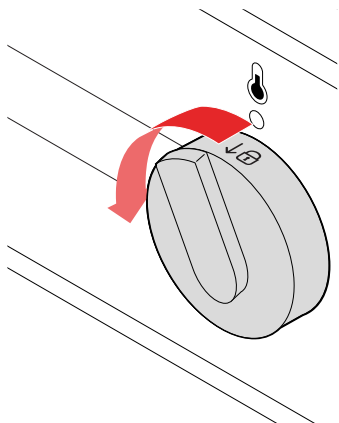
Slå på barnesikringen

1. Trekk ut temperaturvelgeren.



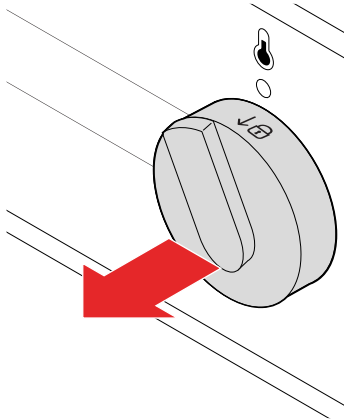
2. Drei temperaturvelgeren 15° til ↓B, og slipp den.

Nå er temperaturvelgeren låst, og kokesonene og ovnen kan ikke slås på lenger, slik at barn ikke kan slå dem på utilsiktet.

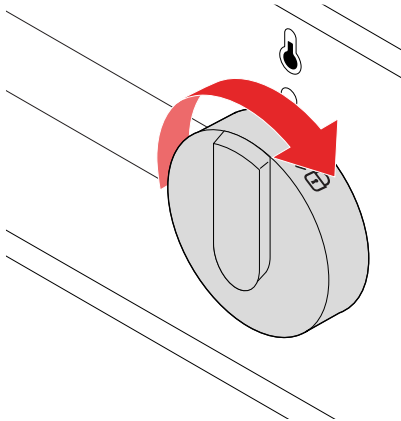


Slå av barnesikringen

1. Trekk ut temperaturvelgeren.

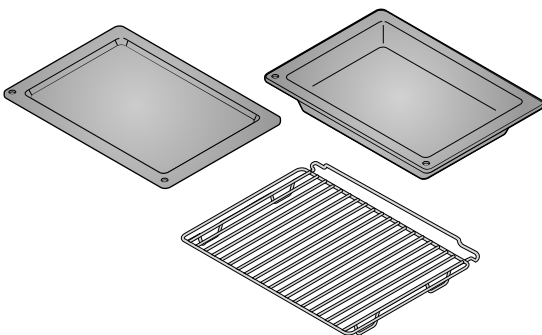


2. Drei temperaturvelgeren 15° med klokken, og slipp den. Velgeren er låst opp, og kokesonene og ovnen kan slås på.



Tilbehør

Komfyren leveres med nyttig tilbehør som gir en bedre matlagingsopplevelse.



Lave stekeplater

Til baking av kaker eller som dryppbrett.

Ekstra dyp langpanne

Til steking av store mengder grønnsaker og kjøtt eller konservering av mat.

Rist

Til grilling av kjøtt eller fisk.

MATLAGING MED PLATETOPPEN

Platetoppens overflate

Platetoppen er fremstilt av et massivt glasskeramisk materiale. Her er noen råd for bruk og vedlikehold av overflaten.

- Overflaten er svært bestandig mot temperaturendringer, men kan bli skadet av tunge gjenstander som faller ned. Overflaten kan sprekke umiddelbart eller en stund etter at den blir truffet.

**ADVARSEL!**

Hvis overflaten knuses, må produktet kobles fra strømmettet umiddelbart. Ikke bruk produktet.

- Pass på at kokesonen og bunnen av kokekarene er rene og tørre for å forbedre ytelsen og unngå skade på overflaten.

**OBS!**

Hvis det søles sukker eller mat med høyt sukkerinnhold på overflaten mens den er varm, må sukkeret fjernes fra overflaten umiddelbart med en nal eller en skrape. Ellers kan overflaten bli skadet.

Bruk aldri vaskemiddel eller annet rengjøringsmiddel til å rengjøre en varm overflate.

- Ikke bruk platetoppen til oppbevaring. Det kan føre til riper eller skader.

Egnede kokekar

Bruk egnede kokekar for best mulig resultat og for å unngå skade.

- Bruk kokekar av høy kvalitet med flat og stabil bunn.
- Kontroller at bunnen på kokekaret passer til kokesonens diameter.



Når du kjøper kokekar, må du være oppmerksom på at den angitte diameteren vanligvis henviser til den øvre kanten eller lokket, som vanligvis er større enn bunnens diameter.

- Kokekar i herdet glass med spesialslipt bunn kan brukes hvis diameteren passer til kokesonen. Kokekar med større diameter kan sprekke på grunn av varmespenning.

Slå kokesonene på og av

1. Drei knappen for å slå på kokesonen.
Varmeeffekten kan stilles inn i trinn fra 1 til 9.
Kokesonens varme justeres ved at strømmen slås på og av i intervaller. Intervallenes lengde avhenger av det innstilte effektnivået.
2. Slå av kokesonen ved å dreie knappen til 0.

Spare strøm

Her er noen tips til hvordan du kan spare strøm.

- Kontroller at bunnen på kokekaret passer til kokesonens diameter. Hvis kokekaret er for lite, går noe av varmen tapt og kokesonen kan bli skadet.
- Bruk kokekar som passer til mengden mat du skal tilberede. Bruk av større kokekar enn nødvendig gir økt strømforbruk.
- Legg lokk på kokekaret når det er mulig.
- Bruk trykkoker hvis du tilbereder en rett som tar lang tid å tilberede.
- Grønnsaker, poteter osv. kan kokes med mindre vann. Maten kokes like godt så lenge kokekaret er tett lukket med lokk. Reduser effektnivået når vannet koker, slik at det er akkurat tilstrekkelig til at det småkoker.

Restvarmeindikator

Kokesonene er varme en stund etter at de er slått av. Restvarmeindikatoren indikerer en varm kokesone. Indikatoren slukkes når kokesonen er avkjølt.

Restvarmeindikatoren lyser også hvis et varmt kokekar settes på en kald kokesone.

**ADVARSEL!**

Det er risiko for forbrenning på grunn av restvarme.

MATLAGING MED STEKEOVNEN

- Bruk mørke, svarte silikonbelagte eller emaljebelagte stekeplater. De overfører varmen bedre.
- Steking av flere bakverk etter hverandre sparer strøm, fordi ovnen allerede er varm. Det krever mer strøm å varme opp en ovn som er avkjølt.
- Det kan av og til dannes damp inne i ovnen under steking. Dampen kan kondensere på døren og lokket på kokekaret. Dette er vanlig, og påvirker ikke komfyrens funksjon. Tørk av eventuell kondens med en klut.
- Hvis du lar et retten stå i ovnen etter at steking er ferdig, kan damp fra retten fordampe og kondenseres på frontpanelet og ovnsdøren.



Du kan slå av ovnen omtrent 10 minutter før steking er ferdig. Dette sparer strøm gjennom bruk av varmen som allerede er generert.

Stekemoduser

Undervarme



Bruk denne stekeovnsmodusen til å brune undersiden av maten. Undervarmen stråler varme mot undersiden av maten. Anbefalt temperatur: 180 °C.

Over- og undervarme



Bruk denne ovnsmodusen til å steke kjøtt eller bakverk som bare kan bakes eller stekes på én høyde. Over- og undervarmen stråler varmen jevnt ut i ovnen. Anbefalt temperatur: 200 °C.

Grill



Bruk denne ovnsmodusen til å grille små mengder åpne smørbrød, pølser eller til å riste brød. Kun grillelementet er på når denne modusen brukes. Anbefalt temperatur: 230 °C.

Stor grill



Bruk denne ovnsmodusen til å grille små mengder åpne smørbrød, pølser, kjøtt eller til å riste brød. Både grillelementet og overvarmen er på når denne modusen brukes. Anbefalt temperatur: 230 °C.

WaterClean



Bruk denne ovnsmodusen til å fjerne flekker og matrester fra ovnen. Bare undervarmen avgir varme. Programmet tar 30 minutter. Anbefalt temperatur: 70 °C.

Pizza



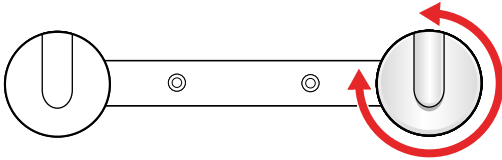
Pizzafunksjonen bruker høy temperatur, slik at pizzaen stekes svært raskt og får en saftig skorpe. Bruk denne varmetypen for å lage perfekt pizza. Anbefalt temperatur: 190 °C - 200 °C.

Slå ovnen på og av

1. Drei ovnsmodusvelgeren til en av ovnsmodusene for å slå den på.
2. Drei ovnsmodusvelgeren til **0** for å slå den av.

Endre temperaturen i ovnen

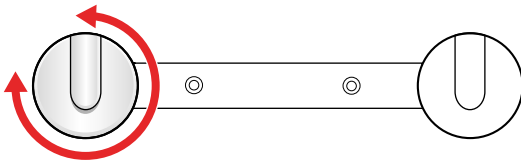
Velg egnet temperatur for maten som skal tilberedes.



1. Drei temperaturvelgeren med klokken for å øke temperaturen, eller mot klokken for å redusere temperaturen.
OBS! Ikke drei velgeren forbi nullposisjonen. Dette kan skade termostaten.
Temperaturområdet er 50–275 °C.

Endre ovnens stekemodus

Velg egnet stekemodus for maten som tilberedes.



1. Drei stekemodusvelgeren med eller mot klokken for å bytte mellom de tilgjengelige modusene.



Stekemodusen kan også endres under steking.

Veiledning til stekemodus

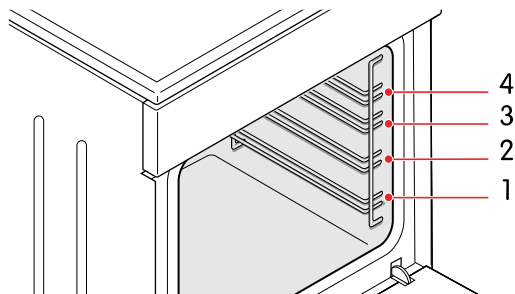
Finn den best egnede stekemodusen til dine behov ved å følge tabellen nedenfor.

Stekemetode	Matvaretype	Stekemodus
Steking	Kjøtt	
Grill	Åpne smørbrød, pølser	
	Åpne smørbrød, pølser, kjøtt	
Brun	Oversiden av maten	
	Undersiden av maten	
Baking	Bakverk på én høyde	

Stekemetode	Matvaretype	Stekemodus
Risting	Brød	
		

Skinner

Skinnene gjør det mulig å velge mellom 4 ulike nivåer når du setter en rist eller stekeplate inn i ovnen. Høydene/skinnene telles nedenfra og opp.



Ovnen kan brukes trygt både med og uten skinnene.



OBS!

Ikke sett stekeplater eller andre kokekar i bunnen av ovnen.

Grillanbefalinger

Følg disse anbefalingene ved grilling.



ADVARSEL!

Bruk grillen kun med stekeovnsdøren lukket.



ADVARSEL!

Bruk grytevotter eller grilltang. Grillelementet, risten og annet ovnstilbehør blir svært varme under grilling.

- Forvarm grillen i ca. 5 minutter før du bruker den.
- Kontroller maten regelmessig. Maten kan raskt bli brent på grunn av den høye temperaturen.
- Smør olje på risten for å unngå at kjøttet setter seg fast når du griller direkte på risten. Bruk den 4. skinnen.
- Sett dryppbrettet på den 1. eller andre skinnen.
- Kontroller at det er nok væske i platen ved bruk av stekeplate. Ellers kan maten bli brent.
- Snu kjøttet.
- Rengjør ovnen, tilbehøret og redskapene når du er ferdig å grille.

Stekeanbefalinger

Følg disse anbefalingene ved steking.

- Bruk kokekar med emaljebelegg, i herdet glass, keramikk eller støpejern.



NB:

Ikke bruk stekeplater i rustfritt stål. De gir sterk varmerefleksjon.

- Bruk tilstrekkelig væske under tilberedningen for å unngå at kjøttet blir brent.
- Dekk til kjøttet for å holde det saftig.

Bakeanbefalinger

Følg disse anbefalingene ved baking.

- Forvarming anbefales.
- Du kan bake kjeks og småkaker på lave stekeplater i flere høyder (andre og tredje) samtidig.

**NB:**

Kjeksene eller småkakene på den øverste stekeplaten kan bli raskere ferdig enn på den laveste platen.

- Sett alltid stekeplatene på risten. Fjern risten hvis du bruker den medfølgende stekeplaten.

**OBS!**

Ikke sett langpanner på den laveste skinnen.

- Lag kjeks eller småkaker med jevn tykkelse slik at de blir jevnt brunet.
- Baketilbehøret kan endre form når det blir varmt. Dette påvirker ikke funksjonen, og de går tilbake til opprinnelig form når de avkjøles.

RENGJØRING

Rengjør produktet regelmessig slik at det varer lenger og beholder utseendet.



ADVARSEL!

Ikke la barn rengjøre produktet uten tilsyn.



ADVARSEL!

Risiko for elektrisk støt!

- Trekk ut støpselet før rengjøring.
- Ikke bruk dampvasker eller høytrykksvasker til å rengjøre produktet. Det kan føre til elektrisk støt.



OBS!

Vent alltid til produktet er avkjølt før det rengjøres.

Rengjøre platetoppen

Rengjør alltid den glasskeramiske overflaten på platetoppen på riktig måte for å sikre at den varer lenge og beholder utseendet.



OBS!

- Ikke bruk stålull, grove rengjørings-svamper eller skurepulver. Det kan ripe opp overflaten. Sterke sprayrengjøringsmidler, kalkfjerningsmidler og andre uegnede flytende rengjøringsmidler kan også skade overflaten.
- Fjern alle rester av rengjøringsmiddel fra overflaten etter rengjøring. Ellers kan overflaten bli skadet neste gang kokesonene varmes opp.



OBS!

Hvis det søles sukker eller mat med høyt sukkerinnhold på overflaten mens den er varm, må sukkeret fjernes fra overflaten umiddelbart med en nal eller en skrape. Ellers kan overflaten bli skadet.

Bruk aldri vaskemiddel eller annet rengjøringsmiddel til å rengjøre en varm overflate.

- Bruk spesialprodukter som danner en beskyttende film til rengjøring av platetoppen, slik at smuss ikke fester seg på overflaten.
- Fjern mindre tilsmussing med en fuktig, myk klut, og tørk overflaten.
- Fjern vannflekker med en mild eddikløsning. Unngå å bruke denne løsningen på rammen. Det kan føre til at den blir matt.
- Vanskelig smuss fjernes med spesielt rensemiddel for glasskeramiske overflater og ifølge produsentens instruksjoner. Hvis ingenting annet nytter, kan vanskelig smuss fjernes med en skrape. Hold skrapen i riktig vinkel (45° til 60°), press skrapen forsiktig mot glasset og skyv for å fjerne smuss.

Misfarging av den glasskeramiske overflaten skyldes vanligvis at matrester er brent fast i overflaten eller bruk av kokekar av uegnet materiale (f.eks. aluminium eller kobber). Slik misfarging er svært vanskelig å fjerne helt, men påvirker ikke platetoppens funksjon, og dekkes derfor ikke av garantien.

Rengjøring av glassoverflater

Rengjør glassoverflater med utstyr og midler som er ment for rengjøring av glass, speil og vinduer.



OBS!

Ikke bruk grove skuremidler eller skarpe metallskraper. Det kan føre til at overflaten og glasset sprekker.

Rengjøring av overflater i rustfritt stål

Rengjør overflater i rustfritt stål med et mildt rengjøringsmiddel og en myk svamp som ikke riper opp overflaten.

**OBS!**

Ikke bruk skuremidler eller rengjøringsmidler som inneholder løsemidler. Det kan skade overflaten.

Rengjøring av emaljerte overflater

Rengjør emaljerte overflater med en fuktig svamp. Fjern fettflekker med varmt vann og et spesielt rengjøringsmiddel for emalje.

**OBS!**

Ikke rengjøre emaljerte overflater med skuremidler eller redskaper. Det kan føre til permanent skade.

Rengjøring av plastdeler og lakkerte overflater

Fjern eventuelle flekker umiddelbart fra plastdeler og lakkerte overflater med en myk, ikke-slipende klut og litt vann. Du kan også bruke rengjøringsmidler og -redskaper som er ment for plast og lakkerte overflater. Følg fabrikantens anvisninger.

**OBS!**

Ikke bruk skuremidler, slipende redskaper eller alkoholbaserte rengjøringsmidler.

Rengjøre stekeovnen

Rengjør ovnsrommet regelmessig.

**OBS!**

Unngå å lene deg på den åpne døren når ovnsrommet rengjøres. Stå aldri på den åpne stekeovnsdøren, og ikke la barn sitte på den. Hengslene på stekeovnsdøren kan bli skadet hvis de utsettes for tung belastning.

**OBS!**

Ikke bruk skuremidler. De etterlater riper i overflater med emaljebelegg.

- Rengjør veggene i ovnen med en fuktig svamp og rengjøringsmiddel. Bruk et spesielt rengjøringsmiddel for emalje på fastbrente flekker.
- Tørk ovnen grundig etter rengjøring.
- Rengjør skinnene og teleskopskinnene med et vanlig rengjøringsmiddel.

**OBS!**

Teleskopskinnene må ikke vaskes i oppvaskmaskin.


- Rengjør ovnsredskapene med en svamp og rengjøringsmiddel. Du kan bruke spesielle rengjøringsmidler for vanskelige flekker og fastbrente rester.

Bruke WaterClean-programmet

Bruk WaterClean-programmet til å fjerne flekker og matrester fra ovnen på en enkel måte.

**OBS!**

Forsikre deg om at ovnen er avkjølt før du starter WaterClean-programmet.

1. Drei stekemodusvelgeren til .
2. Drei temperaturvelgeren til 70 °C.
3. Hell 0,6 l vann i en langpanne og sett den på den nederste skinnen.
4. La programmet gå i 30 minutter. Dette gjør matrestene mykere.
5. Rengjør emaljen på ovnsveggene med en fuktig klut.

FEILSØKING

Mange mindre problemer kan løses ved hjelp av feilsøkingsinformasjonen. Hvis problemet vedvarer, må du ikke prøve å reparere produktet på andre måter enn det som er beskrevet i denne håndboken.

**ADVARSEL!**

Risiko for elektrisk støt!

- Ikke prøv å utføre noen reparasjoner selv. Inngrep i produktet og ukvalifiserte reparasjoner kan føre til personskade eller skade på produktet. Det fører også til at garantien blir ugyldig. Kontakt i stedet en servicetekniker.
- Du må ikke skifte strømledningen selv. Hvis strømledningen blir skadet, må den skiftes av produsenten eller en autorisert tekniker for å unngå fare.

Hovedsikringen i boligen utløses ofte

Strømforbruket til alle apparater som er slått på, overstiger kapasiteten til hovedsikringen i boligen

Kontakt en servicetekniker.

Lyset i stekeovnen fungerer ikke

Stekovnslyset må skiftes

Se del "Skifte lyspæren i stekeovnen", [side 131](#).

Maten blir ikke tilstrekkelig kokt/stekt

Problemet kan ha forskjellige årsaker. Følg anvisningene for de foreslåtte årsakene for å løse problemet.

Det er valgt feil temperatur eller stekemodus

Kontroller at du har valgt riktig temperatur og stekemodus.

Stekeovnsdøren er åpen

Kontroller at stekeovnsdøren er lukket.

Skifte deler

Skifte lyspæren i stekeovnen

Hvis lyspæren går, må den erstattes med en halogenpære av type G9, 25 W.

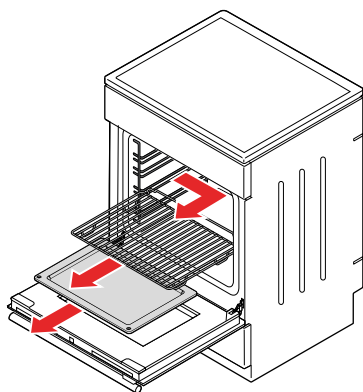
**ADVARSEL!**

Risiko for elektrisk støt! Koble alltid produktet fra strømmettet før lyspæren skiftes.

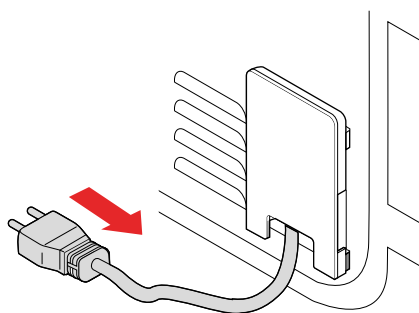
**NB:**

Lyspæren er en forbruksartikkel, og dekkes ikke av garantien.

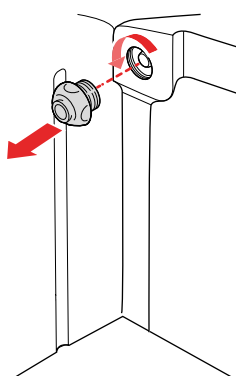
1. Fjern risten, skinnene og stekeplatene.



2. Koble komfyren fra strømmettet.

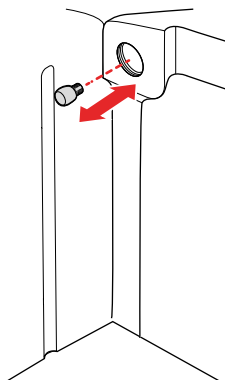
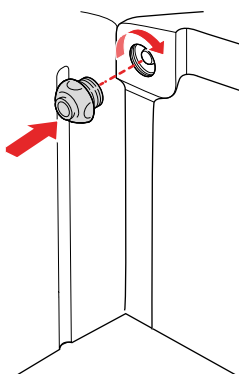
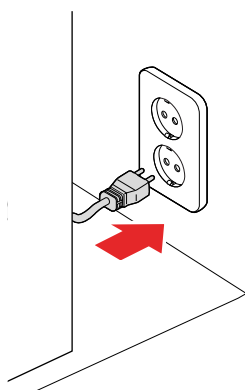


3. Fjern dekselet over lyspæren.



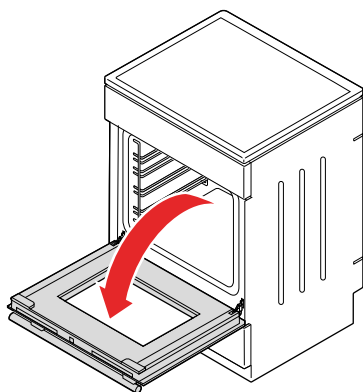
4. Skift lyspæren.

ADVARSEL! Bruk beskyttelse for å unngå at du brenner deg når du fjerner den gamle lyspæren.
OBS! Unngå å skade emaljeoverflaten.

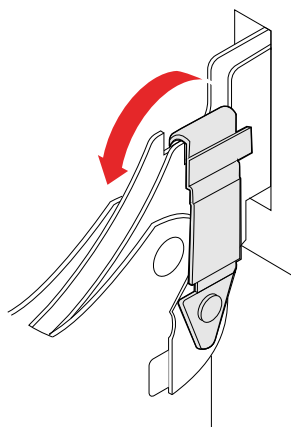
**5. Monter dekselet.****6. Koble komfyren til strømmettet.****Skifte stekeovnsdøren**

Stekeovnsdøren må fjernes og skiftes hvis den er ødelagt, eller hvis du må fjerne glassruten i stekeovnsdøren.

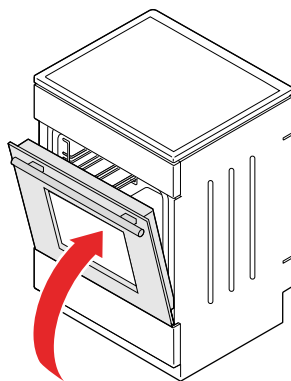
1. Åpne stekeovnsdøren helt.



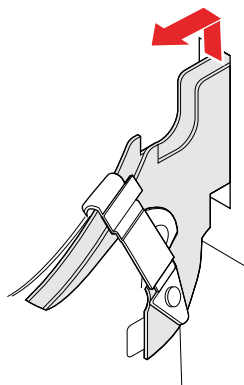
2. Løft opp og bøy låsehakene på dørhengslene.



3. Fold døren forsiktig til en vinkel på ca. 15°.



4. Fjerne døren: trekk hengslene ut av åpningene.



Monter i motsatt rekkefølge.

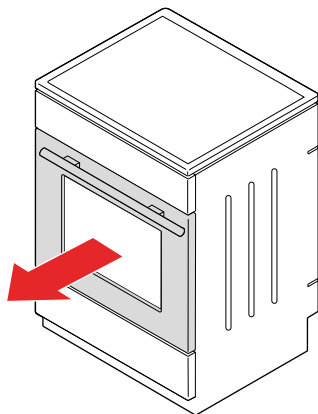
**OBS!**

Pass på at hengslene plasseres riktig i krokene. Ellers kan det være at døren ikke kan åpnes og lukkes ordentlig.

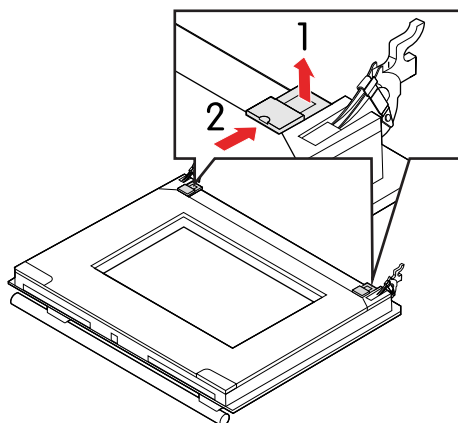
Fjerne og montere glassrutene i stekeovnsdøren

Fjern glassruten i stekeovnsdøren hvis den er ødelagt eller du vil rengjøre den.

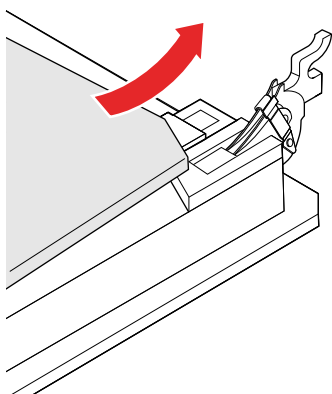
1. Fjern stekeovnsdøren fra apparatet.



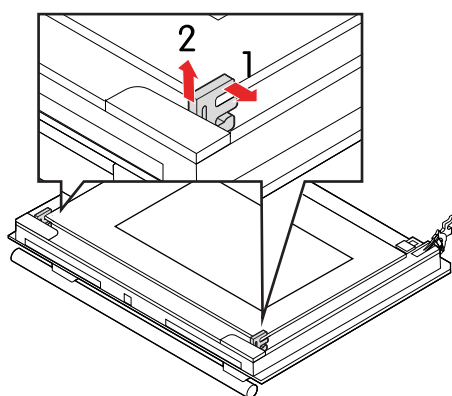
2. Løft støttene litt, og trekk dem fra glasset.



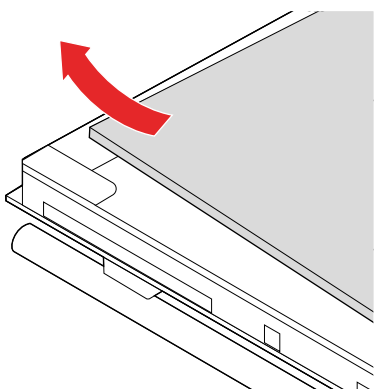
3. Løft opp den nedre enden av glassruten, og fjern den.



4. Drei gummiholderne litt, og trekk dem fra den gjenværende glassruten.



5. Løft opp den øvre enden av den gjenværende glassruten, og fjern den.



Monter i motsatt rekkefølge.



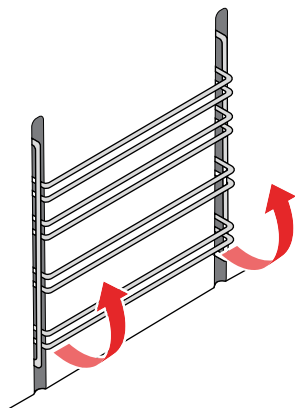
NB:

Merkene (halvsirkel) på døren og glassruten skal overlape.

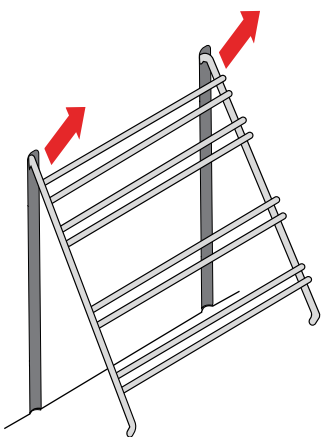
Fjerne og montere skinnene

Følg denne fremgangsmåten for å fjerne og montere skinnene.

1. Trekk undersiden av skinnene ut fra ovnsveggen.



2. Trekk skinnene ut av hullene på oversiden.



Monter skinnene i motsatt rekkefølge.

Strømkabelens ledningstilkoblinger

Hvis strømledningen blir skadet, må den skiftes umiddelbart.



ADVARSEL!

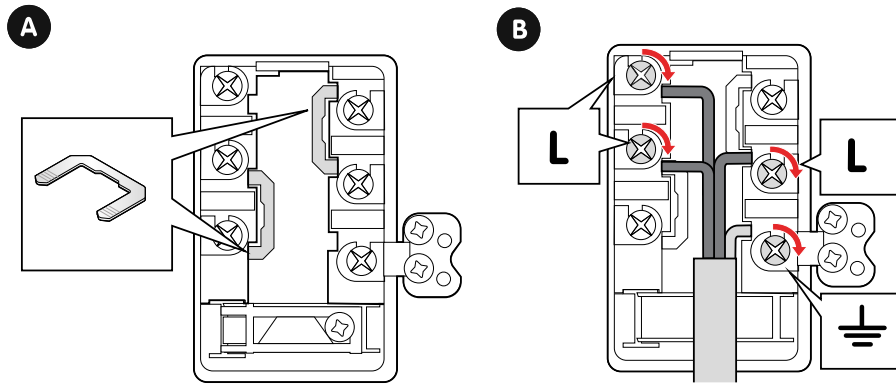
- Du må ikke skifte strømledningen selv. Hvis strømledningen blir skadet, må den skiftes av produsenten eller en autorisert tekniker for å unngå fare.
- Den elektriske installasjonen må følge gjeldende bestemmelser.
- Bruk en 4x1,5 mm² kabel merket H05VV-F 4G1.5 eller bedre.



NB:

Reparasjon eller garantikrav som følge av feil tilkobling eller bruk av produktet dekkes ikke av garantien.

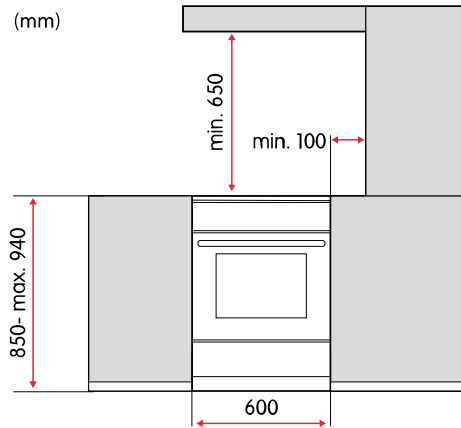
Den følgende illustrasjonen viser tilkobling av strømledningene. Se A for installasjon av brokoblingene og B for tilkobling av kabledningene.



INSTALLERING

Plassering av komfyren

Pass på at ovnen plasseres i henhold til målene og de andre faktorene som er beskrevet i denne delen.



ADVARSEL!
Brannfare!

- Kontroller at gulvet og sideveggene tåler minst 90 °C.
- Ikke installer ovnen bak en dekorfront. Den kan bli overopphetet.



ADVARSEL!

Ovnen er beregnet for plassering direkte på gulvet uten støtte eller sokkel.



OBS!

Ikke installer ovnen nær sterke varmekilder som f.eks. ovner med fast brensel. Den høye temperaturen kan skade ovnen.

Feste komfyren til veggen

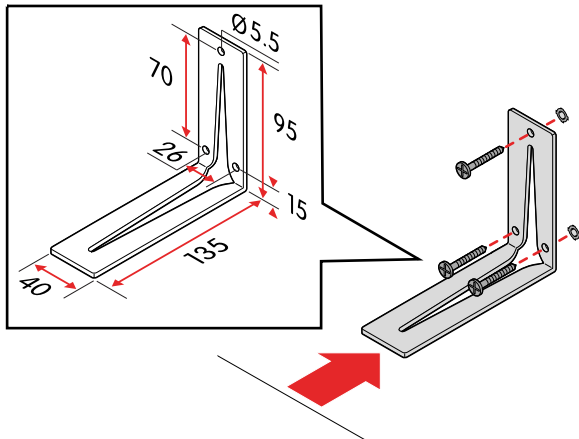
Ved å feste komfyren til veggen, kan du sikre deg mot at den velter.



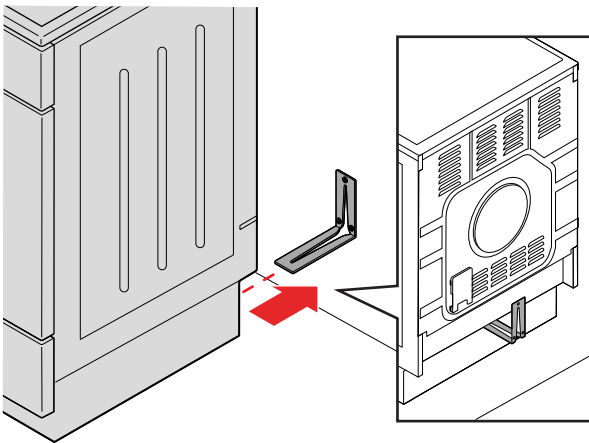
ADVARSEL!

Risiko for velt! Det skal installeres stabilisering for å hindre velt.

1. Fest braketten til veggen med de medfølgende skruene og pluggene.
ADVARSEL! Hvis de medfølgende skruene eller pluggene ikke er egnet for veggen, må du bruke skruer og plugg som gir sikkert feste i veggen.



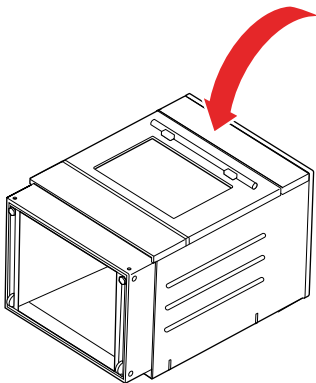
2. Plasser komfyren mot braketten, og fest den.

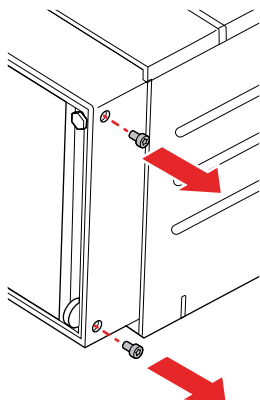
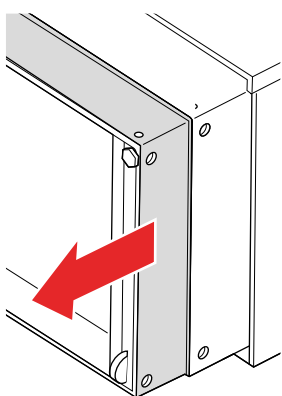
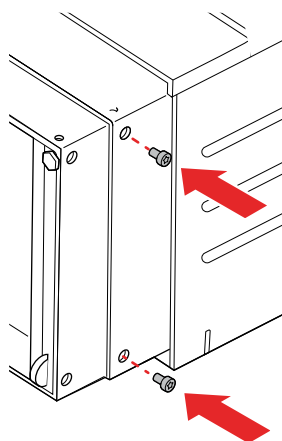


Justere komfyrens høyde

Komfyrens høyde kan justeres fra 850 til 940 mm.

1. Legg komfyren på gulvet med baksiden ned.



2. Skru løs skruene.**3. Juster høyden.****4. Skru inn skruene igjen.**

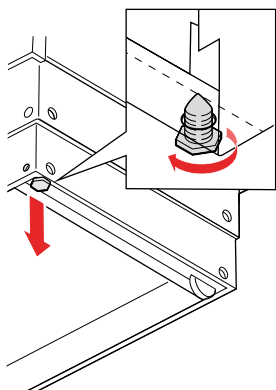
Sette komfyren i vater

Sett komfyren i vater ved å justere høyden på de fremre føttene og de bakre hjulene individuelt.

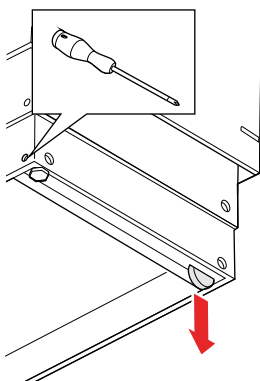
**ADVARSEL!**

Komfyren skal monteres i vater.

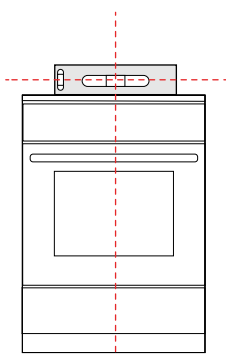
1. Drei de fremre føttene for å justere høyden.



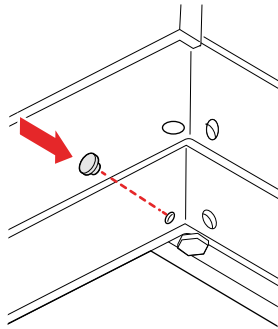
2. Drei justeringsskruene på hjulene for å justere høyden på hjulene bak.



3. Legg et vater på komfyren for å kontrollere den horisontale posisjonen. Juster om nødvendig.



4. Sett blindpluggene i hullene.



Koble til strømnettet

Komfyren leveres med montert strømledning, klar for tilkobling til en 400 V, 50 Hz stikkontakt.



ADVARSEL!

Hvis produktet skal kobles til et fast elektrisk koblingspunkt:

- Du må ikke koble produktet til strømnettet selv. Produktet skal kun kobles til av en autorisert tekniker.
- Bruk en 4x1,5 mm² kabel merket H05VV-F 4G1.5 eller bedre til tilkoblingen.



ADVARSEL!

- Den elektriske installasjonen må følge gjeldende bestemmelser.
- Ikke bruk eksterne tidsur eller separate fjernkontrollsystemer til å styre produktet.



OBS!

Les bruksanvisningen nøye før apparatet kobles til. Reparasjon eller garantikrav som følge av feil tilkobling eller bruk av apparatet dekkes ikke av garantien.

1. Koble støpselet til en 400 V, 50 Hz stikkontakt.

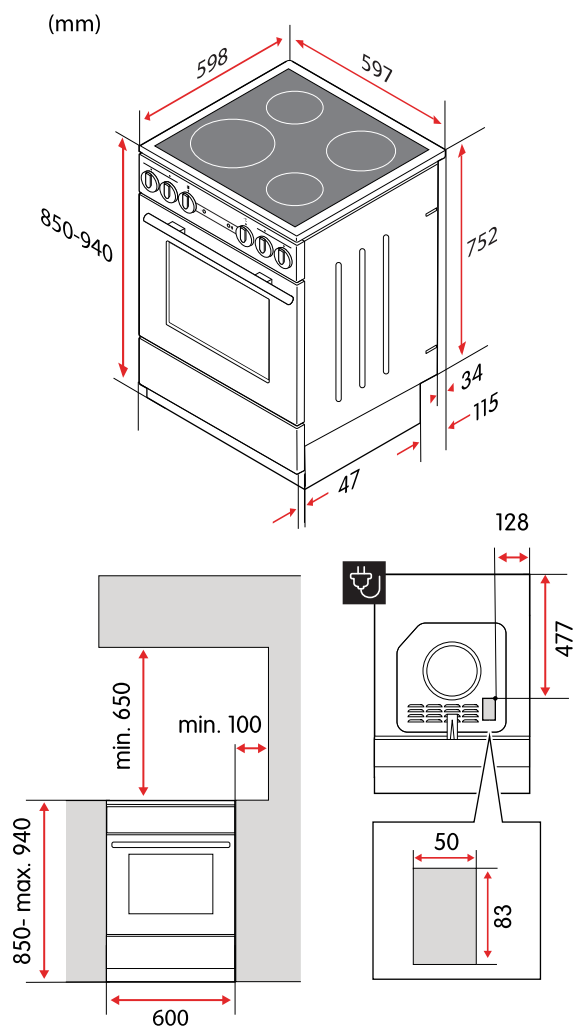
TILLEGG

Spesifikasjoner

Produktkode	CCS46401VN-E2
Høyde	85-94 cm
Bredde	59,7 cm
Dybde	59,8 cm
Vekt	46,8 kg
Ovnsrommets volum	74 l
Strømtilførsel	380-415 V 3~, 50 Hz
Elektrisk tilkobling	9 300 W

Kokesone	Diameter	Effekt
Fremre venstre	21 cm	2,3 kW
Bakre venstre	14,5 cm	1,2 kW
Bakre høyre	18 cm	1,8 kW
Fremre høyre	14,5 cm	1,2 kW

Mål



EU-direktiver og standarder

Dette produktet oppfyller gjeldende EU-direktiver og reguleringer, og er utstyrt med CE-merke. En kopi av EU-samsvarserklæringen er tilgjengelig på forespørsel hvis den ikke følger med produktet.

Produktets ytelse er testet i samsvar med standarden NEK-EN 60350-1.

Indhold

SIKKERHED	149
Formaninger	149
Tilsluttet anvendelse	149
Sikkerhed for børn og handicappede	149
Generel sikkerhed	150
Sikkerhed ved installation	150
Sikkerhed ved brug	151
Sikkerhed ved vedligeholdelse	152
Sikkerhedsmærkater	153
Bortskaffelse	153
HURTIG START	154
Hurtig start af ovnen	154
Hurtig start af kogepladen	155
KOM I GANG	156
Før du begynder at bruge komfuret	156
Oversigt over kogeplader	156
Betjeningsknapper på komfuret	156
Åbn børnesikringen	156
Slå børnesikringen til og fra på temperaturvælgeren	157
Tilbehør	158
MADLAVNING MED KOGEPLADEN	159
Kogepladens overflade	159
Egnet kogegrej	159
Tænd og sluk for kogezoneerne	159
Spar energi	159
Indikator for restvarme	160
MADLAVNING MED OVNE	161
Tilberedningsfunktioner	161
Undervarme	161
Overvarme og undervarme	161
Grill	161
Stor grill	161
WaterClean	161
Pizza	161
Tænd og sluk for ovnen	162
Ændring af ovntemperatur	162
Ændring af ovntilberedningsfunktion	162
Vejledning til brug af ovnfunktioner	162
Riller	163
Anbefalinger for grilning	163

Anbefalinger for stegning	163
Anbefalinger for bagning.....	164
RENGØRING	165
Rengøring af kogepladens overflade	165
Rengøring af glasoverflader	165
Rengøring af overflader af rustfrit stål	166
Rengøring af emaljeoverflader	166
Rengøring af plastikdele og lakerede overflader	166
Rengøring af ovnen.....	166
Brug af WaterClean-programmet.....	166
FEJLFINDING	168
Hovedsikringen i dit hjem springer tit	168
Ovnlyset virker ikke	168
Maden steges/bages ikke tilstrækkeligt.....	168
Udskiftning af dele	168
Udskiftning af ovnlyspæren.....	168
Udskiftning af ovnlågen	170
Afmontering og montering af glasruderne i ovnlågen	172
Afmontering og montering af rillerne.....	173
Ledningsforbindelser.....	174
INSTALLATION	176
Placering af komfuret.....	176
Fastgørelse af komfuret til en væg	176
Justering af komfurets højde	177
Nivellering af komfuret.....	178
Tilslut til lysnettet.	180
TILLÆG	181
Specifikationer.....	181
Mål	182
EU-direktiver og standarder	182

SIKKERHED

Læs nøje vejledningen før installation og brug af apparatet. Gem vejledningen, og opbevar den i nærheden af maskinen for nemt at kunne slå op i den. Alle typer garantier ugyldiggøres, hvis disse instruktioner ikke følges.

Formaninger

**ADVARSEL!**

Anvendes, når der er risiko for personskader.

**FORSIGTIG!**

Anvendes, når der er risiko for beskadigelse af maskinen.

**BEMÆRK!**

Generelle oplysninger, som du skal være opmærksom på.



Nyttige tips, som kan være nyttige.

Tilsigtet anvendelse

Dette produkt er beregnet

- til husholdningsbrug.
- til opvarmning og tilberedning af forskellige fødevarer.
- til placering direkte på gulvet uden nogen form for støtter eller sokler.

Dette produkt er ikke beregnet

- til andre formål end madlavning, for eksempel rumopvarmning eller lignende formål.
- til indbygning.
- til udendørsbrug.
- til at blive styret af eksterne timere eller særskilte styresystemer.

Sikkerhed for børn og handicappede

**ADVARSEL!**

Lad kun følgende grupper benytte apparatet, hvis de er under opsyn eller har fået anvisning i brug af produktet på sikker vis. De bør forstå de involverede risici.

- Børn, der er 8 år eller ældre. (Børn under 8 år skal overvåges konstant eller holdes på afstand af produktet.)
- Personer med nedsatte fysiske, sensoriske eller mentale evner.
- Personer med manglende erfaring og kendskab.

**ADVARSEL!**

- Lad aldrig børn lege med apparatet.
- Rengøring må ikke udføres af børn uden opsyn.

**ADVARSEL!**

Brug kun kogepladedæksler, som er designet eller anbefalet af producenten. Brug af forkerte dæksler medfører risiko for ulykker.

Generel sikkerhed

**ADVARSEL!**

Risiko for brand!

- Opbevar ikke noget på komfurets overflade.
- Opbevar ikke brandbare, eksplosive, flygtige eller temperaturfølsomme genstande (f.eks. papir, viskestykker, plastposer, rengøringsmidler og spraydåser) i skuffen under ovnen, da disse emner kan antændes under brug og forårsage brand. Tilberedning med olie eller fedtstof på en kogeplade uden opsyn kan medføre brand.
- Forsøg aldrig at slukke en brand med vand. Sluk for apparatet i stedet for, og tildæk ilden med for eksempel et låg eller et brandtæppe.

**ADVARSEL!**

Risiko for elektrisk stød!

- Hvis kogepladen er revnet, skal apparatet straks slukkes og afbrydes fra lysnettet. Apparatet må ikke anvendes eller berøres.
- Hold ledninger til andre apparater på sikker afstand, så de ikke kan blive klemt fast i ovenlågen, da de kan blive beskadiget og forårsage kortslutning.

Sikkerhed ved installation

**ADVARSEL!**

Risiko for brand!

- Sørg for, at gulvet og de tilstødende vægge kan modstå en temperatur på mindst 90 °C.
- Placer ikke komfuret bag ved en pyntedør, da det kan blive overophedet.

**ADVARSEL!**

Kontrollér, at alle emballagerester er blevet fjernet fra ovenrummet.

**ADVARSEL!**

- Komfuret er beregnet til at anbringes direkte på gulvet uden støtter eller sokler.
- Hvis de medfølgende skruer og rawlplugs ikke er egnede til væggen, skal der anvendes skruer og rawlplugs, som vil garantere sikker montering på væggen.
- Komfuret skal installeres, så det er i niveau vandret.

**ADVARSEL!**

Risiko for elektrisk stød! Tilslut ikke selv komfuret til lysnettet. Komfuret må kun tilsluttes af en autoriseret tekniker.

**ADVARSEL!**

- Den elektriske installation skal følge de lokale bestemmelser.
- Sørg for, at den beskyttende jordledning er korrekt fastgjort, når strømforsyningen tilsluttes.
- Til enkeltfaset strømforsyning benyttes en ledning på 3×4,0 mm² mærket H05VV-F 3G4 eller bedre.
- Til trefaset strømforsyning benyttes en ledning på 5×1,5 mm² mærket H05VV-F 5G1.5 eller bedre.
- Brug ikke eksterne timere eller særskilte fjernbetjeningsystemer til at kontrollere komfuret.

**FORSIGTIG!**

Anbring ikke komfuret i nærheden af kraftige varmekilder som f.eks. fastbrændselsfyr, da den høje temperatur kan beskadige komfuret.

**FORSIGTIG!**

Læs nøje brugsvejledningen, før apparatet tilsluttes til strømforsyningen. Reparationer eller garantikrav, som måtte opstå på grund af forkert tilslutning eller brug af komfuret, dækkes ikke af garantien.

Sikkerhed ved brug

**ADVARSEL!**

Overvåg hele tiden konstant tilberedningsprocessen.

**ADVARSEL!**

Hvis kogepladens overflade går itu, skal apparatet straks afbrydes fra lysnettet. Apparatet må ikke benyttes.

**ADVARSEL!**

Risiko for brand! Tildæk eller bloker aldrig ventilationsåbningerne på nogen måde.

**ADVARSEL!**

Der er risiko for forbrændinger på grund af restvarme. Kogezonen opvarmes indirekte af det opvarmede kogegrej og forbliver varm i et stykke tid, selv efter at den er blevet slukket.

**ADVARSEL!**

Risiko for forbrændinger!

- Kogegrej og tilgængelige dele af apparatet kan blive meget varme under brug. Pas på ikke at røre ved varme dele.
- Ovnlågen kan blive meget varm under brug.
- Anbring ikke metalgenstande såsom knive, gaffler, skeer eller låg på kogezonerne, da disse elementer kan blive meget varme.

**ADVARSEL!**

- Brug kun grillen med ovnlågen lukket.
- Brug grydelapper eller kødtang. Grillelementet, risten og andet ovntilbehør bliver meget varme under grilning.

**FORSIGTIG!**

- Overfladen er yderst modstandsdygtig over for temperaturændringer, men kan blive beskadiget af nedfaldende tunge genstande. Overfladen kan gå itu straks eller et stykke tid efter at være blevet ramt.
- Sørg for, at kogezonen og bunden af kogegrejet er rene og tørre for at forbedre ydelsen og forhindre skader på overfladen.
- Hvis der spildes sukker eller mad med højt sukkerindhold på overfladen, mens den er varm, skal sukkeret straks fjernes fra den varme overflade ved hjælp af en klud eller en skraber. Ellers kan overfladen blive beskadiget.
- Brug aldrig nogen form for rengøringsmidler til at rengøre overfladen, mens den er varm.
- Brug ikke kogepladen som opbevaringsområde, da det kan resultere i ridser eller skader.

**FORSIGTIG!**

Drej ikke temperaturvælgeren til under nulposition, når ovntemperaturen ændres. Det kan beskadige termostaten.

**FORSIGTIG!**

- Sørg for, at bunden af kogegrejet passer til kogezonens diameter. Hvis kogegrejet er for lille, går en del af varmen tabt, og kogezonen kan blive beskadiget.
- Tildæk ikke ovnvæggene med stanniol. Stanniol forhindrer luftcirkulationen i ovnen, hindrer tilberedningsprocessen og skader ovnrummets emalje.
- Anbring ikke bageplader eller andet kogegrej på bunden af ovnen.
- Indsæt ikke bradepanden i den første rille.

Sikkerhed ved vedligeholdelse



ADVARSEL!

Risiko for elektrisk stød!

- Forsøg ikke at udføre nogen reparationer selv. Manipulation af apparatet og uprofessionel reparation kan medføre personskade eller skader på apparatet. Det vil også ugyldiggøre garantien. Kontakt i stedet en servicetekniker.
- Udskift ikke selv elledningen. Hvis elledningen er beskadiget, skal den udskiftes af producenten eller af en autoriseret tekniker for at undgå farer.



ADVARSEL!

Risiko for elektrisk stød! Før udskiftning af pæren skal apparatet altid afbrydes fra lysnettet.



ADVARSEL!

Brug beskyttelse, når du fjerner den gamle pære, for at undgå at brænde dig.



ADVARSEL!

Rengøring må ikke udføres af børn uden opsyn.



ADVARSEL!

Risiko for elektrisk stød!

- Afbryd apparatet fra lysnettet før rengøring.
- Brug ikke damprensere eller højtryksrensere til at rengøre apparatet, da det kan resultere i elektrisk stød.



ADVARSEL!

Sørg for, at hængslernes låse er korrekt placeret i lågens sidelåse, før du monterer den. Det forhindrer hængslerne i pludselig at klappe sammen og såre dig eller beskadige låsen.



FORSIGTIG!

- Vent altid, til apparatet er kølet af, før det rengøres.
- Sørg for, at ovnen er kølet af, før du starter WaterClean-programmet.



FORSIGTIG!

- Brug ikke ståluld, grove svampe eller skurepulver, da det kan ridse overfladen. Skrappe sprayrengøringsmidler, afkalkningsmidler og andre uegnede flydende rengøringsmidler kan ligeledes beskadige overfladen.
- Brug ikke grove slibende rengøringsmidler eller skarpe metalskrabere ved rengøring af glasoverflader, da de kan få overfladen til at revne og glasset til at gå itu.
- Brug ikke slibende rengøringsmidler eller rengøringsmidler, der indeholder opløsningsmidler, ved rengøring af overflader af rustfrit stål, da de kan beskadige overfladen.
- Brug ikke slibende rengøringsmidler eller redskaber ved rengøring af emaljeoverflader, da de kan forårsage permanent skade.
- Brug ikke slibende rengøringsmidler, slibende redskaber eller alkoholbaserede rengøringsmidler ved rengøring af plastdele og lakerede overflader.
- Efter rengøring skal alle rester af rengøringsmidler altid fjernes fra overfladen, da de ellers kan beskadige den, næste gang kogezoneerne opvarmes.



FORSIGTIG!

- Hvis der spildes sukker eller mad med højt sukkerindhold på overfladen, mens den er varm, skal sukkeret straks fjernes fra den varme overflade ved hjælp af en klud eller en skraber. Ellers kan overfladen blive beskadiget.
- Brug aldrig nogen form for rengøringsmidler til at rengøre overfladen, mens den er varm.



FORSIGTIG!

Læn dig ikke mod den åbne låge, mens ovnrummet rengøres. Stå aldrig på den åbne ovnlåge, og lad ikke børn sidde på den. Ovnlågens hængsler kan blive beskadiget ved for stor belastning.

**FORSIGTIG!**

Rengør ikke teleskopskinnerne i opvaskemaskine.

**FORSIGTIG!**

Pas på ikke at beskadige emaljeoverfladen, når du udskifter pæren.

Sikkerhedsmærkater

Disse sikkerhedsmærkater findes på apparatet.



Forsigtig! Risiko for vipning.



Advarsel! Der skal monteres stabilisering for at undgå, at apparatet vælter.

Bortskaffelse



Bortskaf emballagen på miljøvenlig vis. Genanvendelse af emballage under overholdelse af nationale og lokale bestemmelser kan formindske forbruget af råmaterialer og mængde af affald på deponeringssteder.

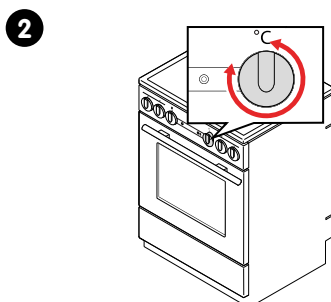
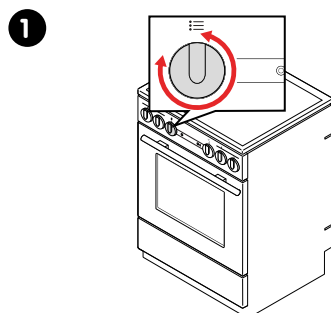
Dette produkt er mærket i overensstemmelse med det Europæiske Direktiv 2012/19/EF for affald af elektrisk og elektronisk udstyr (WEEE). Symbolet på apparatet eller dets emballage angiver, at det ikke må behandles som husholdningsaffald. Det skal i stedet afleveres på en genbrugsstation, som er godkendt til håndtering af elektrisk og elektronisk udstyr.

Ved at bortskaffe produktet korrekt er du med til at forebygge negative effekter på miljøet og menneskers sundhed, som forkert affaldshåndtering af produktet ellers kunne forårsage. Du kan få flere oplysninger om bortskaffelse og genvinding af produktet ved at kontakte din kommune eller genbrugsstation, eller den forretning, hvor du købte produktet.

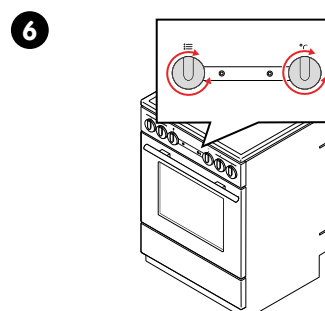
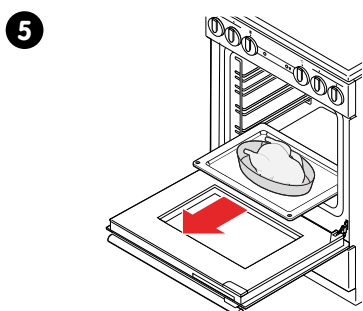
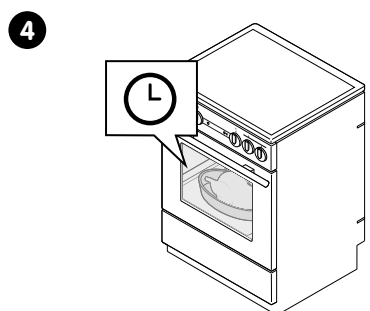
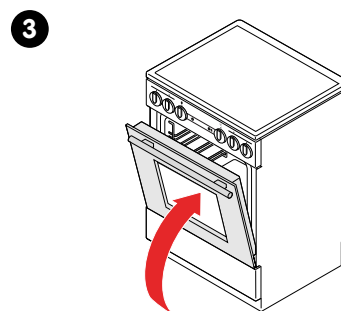
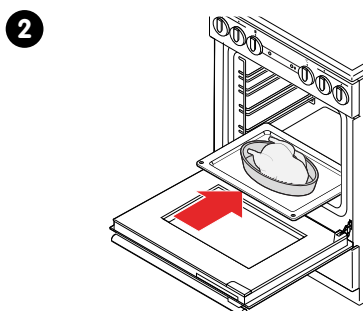
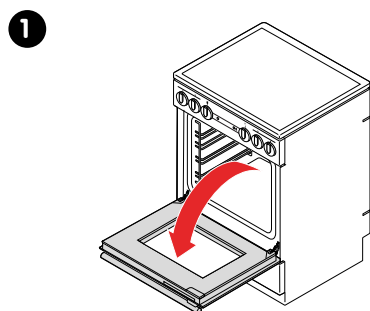
HURTIG START

Hurtig start af ovnen

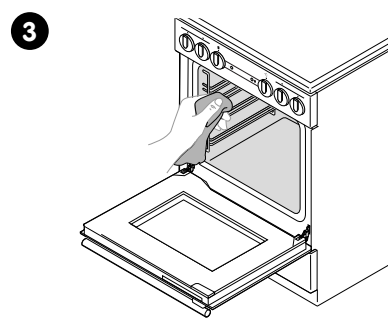
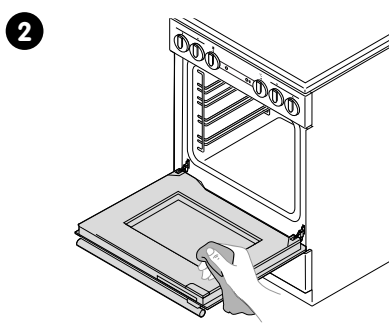
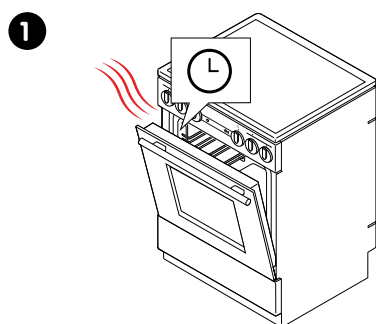
Vælg madlavningstilstand og temperatur



Tilberedning

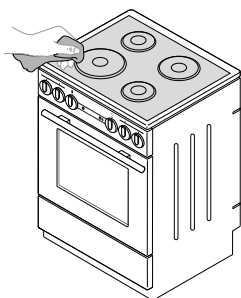


Efter tilberedning

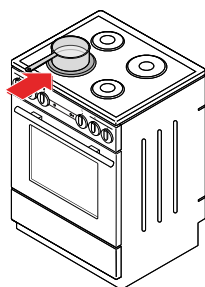
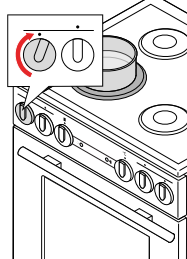
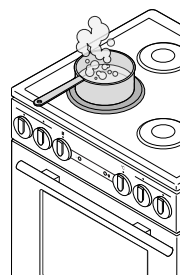
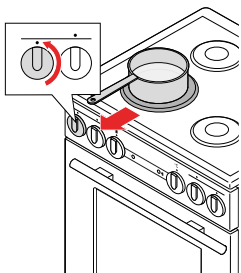


Hurtig start af kogepladen

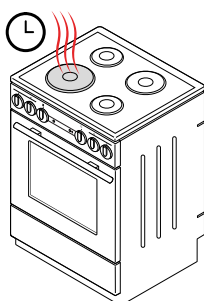
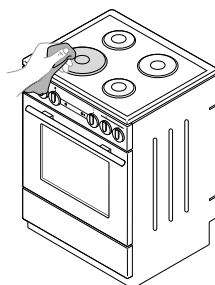
Før tilberedning

1

Tilberedning

1**2****3****4**

Efter tilberedning

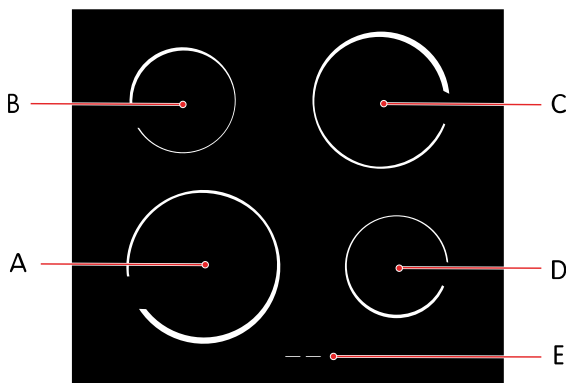
1**2**

KOM I GANG

Før du begynder at bruge komfuret

1. Fjern al transportemballage og alt udstyr fra komfuret.
2. Rengør alt tilbehør og alle redskaber med varmt vand og almindeligt rengøringsmiddel. Brug ikke slibende rengøringsmidler.
3. Rengør kogepladens glaskeramiske overflade med en fugtig klud og lidt opvaskemiddel. Brug ikke skrappe slibende rengøringsmidler, som kan forårsage ridser, f.eks. ståluld, skuresvampe eller pletfjernere.
4. Opvarm ovnen til 275 ° C for 60 minutter uden madvarer. Udluft rummet, da komfuret vil afgive den karakteristiske lugt af nyt apparat.
ADVARSEL! Kontrollér, at alle emballagerester er blevet fjernet fra ovnrummet.

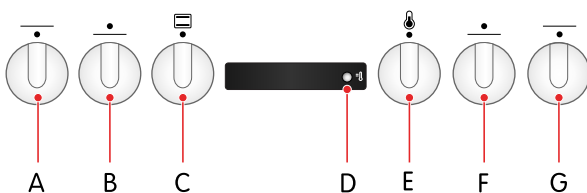
Oversigt over kogeplader



- A. Forreste venstre kogezone
- B. Bageste venstre kogezone
- C. Bageste højre kogezone
- D. Forreste højre kogezone
- E. Indikator for restvarme

Betjeningsknapper på komfuret

Drej vælgerne for at betjene komfuret.



- A. Effektivælger for forreste venstre kogezone
- B. Effektivælger for bageste venstre kogezone
- C. Vælger for ovnfunktion
- D. Indikatorlampe for temperatur (rød)
- E. Vælger for ovntemperatur
- F. Effektivælger for bageste højre kogezone
- G. Effektivælger for forreste højre kogezone

Lamper

Indikatorlampen for temperatur tændes, når ovnen varmer op, og slukkes, når ovnen har nået den valgte temperatur.

Åbn børnesikringen

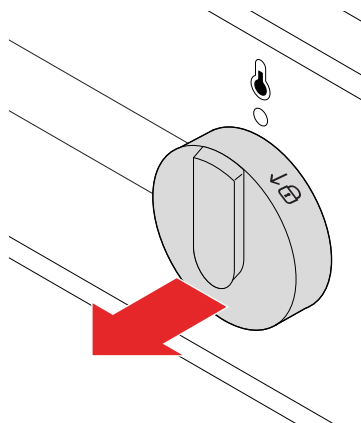
Ovnlågen låses automatisk, når du lukker den.


1. Skub forsigtigt børnesikringen mod højre med tommelfingeren.
2. Træk i ovnlågen, mens du stadig skubber børnesikringen.

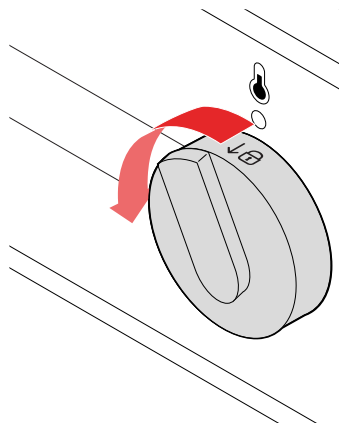
Slå børnesikringen til og fra på temperaturvælgeren

Aktivér børnesikringen

1. Træk temperaturvælgeren ud.

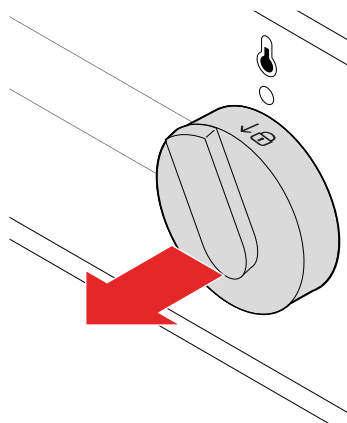


2. Drej temperaturvælgeren 15° til , og slip den. Vælgeren er nu låst, og kogezoneerne og ovnen kan ikke længere tændes, hvilket forhindrer børn i at tænde for dem utilsigtet.

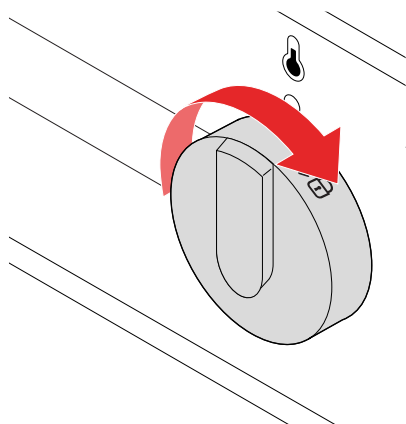


Slå børnesikringen fra

1. Træk temperaturvælgeren ud.

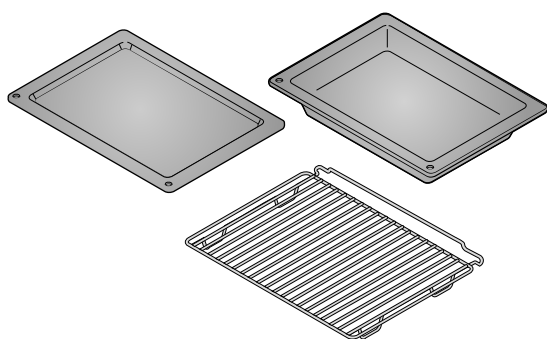


2. Drej temperaturvælgeren 15° med uret, og slip den.
Vælgeren låses op, og der kan tændes for kogezoneerne og ovnen.



Tilbehør

Komfuret er udstyret med nyttigt tilbehør til at forbedre brugen af det.



Lave plader

Til bagning af bagværk eller som drypbakke.

Ekstra dyb plade (bradepande)

Til stegning af store mængder grøntsager og kød eller til henkogning af madvarer.

Rist

Til at grille kød eller fisk.

MADLAVNING MED KOGEPLADEN

Kogepladens overflade

Kogepladens overflade er fremstillet af et kompakt glaskeramisk materiale. Her er nogle råd til, hvordan overfladen bruges og vedligeholdes.

- Overfladen er yderst modstandsdygtig over for temperaturændringer, men kan blive beskadiget af nedfaldende tunge genstande. Overfladen kan gå itu straks eller et stykke tid efter at være blevet ramt.



ADVARSEL!

Hvis overfladen går itu, skal apparatet straks afbrydes fra lysnettet. Apparatet må ikke benyttes.

- Sørg for, at kogezone og bunden af kogegejet er rene og tørre for at forbedre ydelsen og forhindre skader på overfladen.



FORSIGTIG!

Hvis der spildes sukker eller mad med højt sukkerindhold på overfladen, mens den er varm, skal sukkeret straks fjernes fra den varme overflade ved hjælp af en klud eller en skraber. Ellers kan overfladen blive beskadiget.

Brug aldrig nogen form for rengøringsmidler til at rengøre overfladen, mens den er varm.

- Brug ikke kogepladen som opbevaringsområde, da det kan resultere i ridser eller skader.

Egnet kogegej

Sørg for at benytte passende kogegej for at opnå de bedste resultater og forhindre skader.

- Brug kogegej af god kvalitet med en flad og stabil bund.
- Sørg for, at bunden af kogegejet passer til kogezoneens diameter.



Når du køber kogegej, skal du være opmærksom på, at den angivne diameter normalt henviser til den øverste kant eller til låget, som normalt er større end diameteren af bunden.

- Kogegej fremstillet af hærdet glas med en særlig bund kan bruges, hvis diameteren passer til kogezone. Kogegej med større diameter kan revne på grund af termisk spænding.

Tænd og sluk for kogezone

1. Drej knappen for at tænde for kogezone.
Du kan indstille varmeeffekten i trin fra 1 til 9.
Varmen i en kogezone justeres ved at slå effekten til og fra med mellemrum. Længden af intervallet afhænger af det indstillede effektniveau.
2. Sluk for kogezone ved at dreje knappen til 0.

Spar energi

Her er nogle tips til, hvordan du kan spare energi.

- Sørg for, at bunden af kogegejet passer til kogezoneens diameter. Hvis kogegejet er for lille, går en del af varmen tabt, og kogezone kan blive beskadiget.
- Brug kogegej, som passer til den mængde mad, du tilbereder. Du bruger mere energi, hvis du bruger kogegej, der er større end nødvendigt.
- Tildæk kogegejet med et låg, når det er muligt.

- Hvis en ret tager lang tid at tilberede, kan du bruge en trykkoger.
- Grøntsager, kartofler og så videre kan koges i mindre mængder vand. Maden koges lige så godt, så længe kogegrejet er tæt lukket med et låg. Når vandet er kommet i kog, reduceres varmen til et niveau, der lige netop er nok til at bevare en langsom simring.

Indikator for restvarme

Kogezonerne forbliver varme i et stykke tid, selv efter at de er blevet slukket. En varm kogezone angives ved hjælp af indikatoren for restvarme. Indikatoren slukkes, når kogezonen er kølet af.

Indikatoren for restvarme lyser også, hvis varmt kogegrej placeres på en kold kogezone.



ADVARSEL!

Der er risiko for forbrændinger på grund af restvarme.

MADLAVNING MED OVNEN

- Brug mørke eller sorte bageplader belagt med silicium eller emalje. De leder varmen bedre.
- Det sparer energi at bage mange typer af bagværk den ene efter den anden, fordi ovnen allerede er varm. Det bruger mere energi at opvarme en ovn, som er kølet af.
- Der kan somme tider dannes damp på indersiden af ovnen under tilberedningen. Dampen kan kondenseres på lågen og på komfurlåget. Dette er normalt og påvirker ikke komfurets funktion. Tør eventuelt kondensvand af med en klud.
- Hvis du efterlader retten i ovnen, efter at den er færdig, kan der fordampe væde fra den og kondensere på frontpanelet og ovnlågen.



Du kan slukke for ovnen ca. 10 minutter før slutningen af tilberedningsprocessen. Det vil spare energi, fordi den allerede opbyggede varme udnyttes.

Tilberedningsfunktioner

Undervarme



Brug denne ovnfunktion til at brune undersiden af maden. Undervarmen vil udstråle varme på undersiden af maden. Anbefalet temperatur: 180 °C.

Overvarme og undervarme



Brug denne ovnfunktion til at tilberede kød eller kager, som kun kan bages eller steges ved et enkelt højdeniveau. Overvarmen og undervarmen vil udstråle varme jævnt i ovnen. Anbefalet temperatur: 200 °C.

Grill



Brug denne ovnfunktion til at grille små mængder af åbne sandwiches og pølser eller til at riste brød. Ved brug af denne funktion er kun grillelementet tændt. Anbefalet temperatur: 230 °C.

Stor grill



Brug denne ovnfunktion til at grille små mængder af åbne sandwiches, pølser og kød eller til at riste brød. Både grillvarmen og overvarmen er tændt ved brug af denne funktion. Anbefalet temperatur: 230 °C.

WaterClean



Brug denne ovnfunktion til at fjerne pletter og madrester fra ovnen. Kun undervarmen udstråler varme. Programmet tager 30 minutter. Anbefalet temperatur: 70 °C.

Pizza



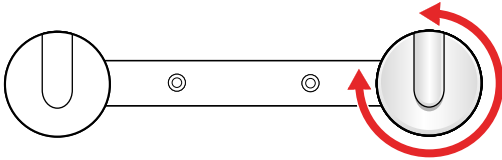
Pizzafunktionen bruger en høj temperatur, der bager pizzaen kortvarigt med en saftig skorpe. Brug denne funktion til at lave din perfekte pizza. Anbefalet temperatur: 190 °C - 200 °C.

Tænd og sluk for ovnen

1. Drej ovnens funktionsvælger til en af tilberedningsfunktionerne for at tænde for den.
2. Drej ovnens funktionsvælger til **0** for at slukke den.

Ændring af ovntemperatur

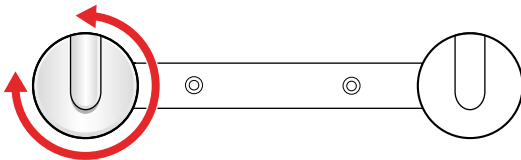
Vælg en passende temperatur til det, du tilbereder.



1. Drej temperaturvælgeren med uret for at øge temperaturen eller mod uret for at sænke temperaturen.
FORSIGTIG! Drej ikke vælgeren til under nul. Det kan beskadige termostaten.
Temperaturområdet er 50-275 °C.

Ændring af ovntilberedningsfunktion

Vælg en passende tilberedningsfunktion til det, du tilbereder.



1. Drej vælgeren for tilberedningsfunktion med uret eller mod uret for at skifte mellem de tilgængelige funktioner.



Tilberedningsfunktionen kan også ændres under tilberedningen.

Vejledning til brug af ovnfunktioner

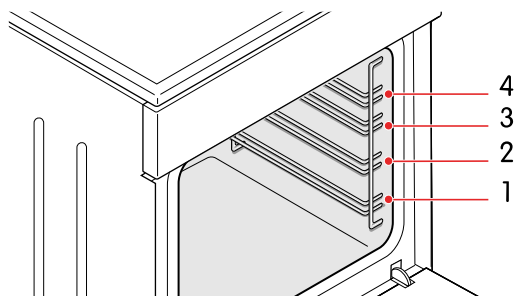
Find den mest velegnede ovntilberedningsfunktion til dine behov ved hjælp af følgende tabel.

Tilberedningsmetode	Type af madvare	Ovntilberedningsfunktion
Stegning	Kød	
Grill	Åbne sandwiches, pølser	
	Åbne sandwiches, pølser, kød	
Bruning	Oversiden af maden	
	Undersiden af maden	
Bagning	Bagværk på et enkelt niveau	

Tilberedningsmetode	Type af madvare	Ovntilberedningsfunktion
Ristning	Brød	
		

Riller

Ved hjælp af riller kan du vælge mellem 4 forskellige niveauer, når du indsætter en rist eller en plade i ovnen. Niveauerne/rillerne tælles fra bunden og opad.



Det er sikkert at bruge ovnen både med og uden rillerne.



FORSIGTIG!

Anbring ikke bageplader eller andet kogegrej på bunden af ovnen.

Anbefalinger for grilning

Brug disse anbefalinger, når du griller.



ADVARSEL!

Brug kun grillen med ovnlågen lukket.



ADVARSEL!

Brug grydelapper eller kødtang. Grillelementet, risten og andet ovntilbehør bliver meget varme under grilning.

- Forvarm grillen i ca. 5 minutter, før du bruger den.
- Hold øje med maden. Maden kan hurtigt blive brændt på grund af den høje temperatur.
- Smør risten med olie for at forhindre kødet i at hænge fast, når du griller direkte på den. Brug den 4. rille.
- Indsæt drypbakken i den første eller anden rille.
- Sørg for, at der er tilstrækkeligt med væske i bakken, når du bruger en bageplade. Ellers kan maden brænde på.
- Vend kødet.
- Rengør ovnen, tilbehøret og redskaberne, når du er færdig med at grille.

Anbefalinger for stegning

Brug disse anbefalinger, når du steger.

- Brug en pande eller plade af hærdet glas, støbejern, hærdet glas eller belagt med emalje.



BEMÆRK!

Brug ikke plader af rustfrit stål. De er stærkt varmerefleterende.

- Brug tilstrækkelig væske under tilberedningen til at forhindre kødet i at brænde.
- Tildæk kødet for at holde det saftigt.

Anbefalinger for bagning

Brug disse anbefalinger, når du bager.

- Det anbefales at forvarme ovnen.
- Du kan bage småkager og cookies på lave bageplader på flere niveauer (andet og tredje) samtidigt.



BEMÆRK!

Småkager og cookies på den øverste bageplade kan blive færdige før dem på den nederste plade.

- Anbring altid bagepladerne på risten. Fjern risten, hvis du benytter den medfølgende bageplade.



FORSIGTIG!

Indsæt ikke bradepanden i den første rille.

- Lav småkager med samme tykkelse for at sikre, at de brunes jævnt.
- Bageudstyr kan ændre form, når det bliver varmt. Dette påvirker ikke dets funktion, og det vil vende tilbage til den oprindelige form, når det køler af.

RENGØRING

Sørg for at rengøre apparatet jævnlige for at få det til at holde længere og blive ved med at se pænt ud.



ADVARSEL!

Rengøring må ikke udføres af børn uden opsyn.



ADVARSEL!

Risiko for elektrisk stød!

- Afbryd apparatet fra lysnettet før rengøring.
- Brug ikke damprensere eller højtryksrensere til at rengøre apparatet, da det kan resultere i elektrisk stød.



FORSIGTIG!

Vent altid, til apparatet er kølet af, før det rengøres.

Rengøring af kogepladens overflade

Rengør altid kogepladens glaskeramiske overflade på den korrekte måde for at sikre, at funktion og udseende holder længe.



FORSIGTIG!

- Brug ikke ståluld, grove svampe eller skurepulver, da det kan ridse overfladen. Skrappe sprayrengøringsmidler, afkalkningsmidler og andre uegnede flydende rengøringsmidler kan ligeledes beskadige overfladen.
- Efter rengøring skal alle rester af rengøringsmidler altid fjernes fra overfladen, da de ellers kan beskadige den, næste gang kogepladen opvarmes.



FORSIGTIG!

Hvis der spildes sukker eller mad med højt sukkerindhold på overfladen, mens den er varm, skal sukkeret straks fjernes fra den varme overflade ved hjælp af en klud eller en skraber. Ellers kan overfladen blive beskadiget.

Brug aldrig nogen form for rengøringsmidler til at rengøre overfladen, mens den er varm.

- Brug særlige plejeprodukter til rengøring af komfuret, som skaber en beskyttende film, der forhindrer snavs i at klæbe fast til overfladen.
- Fjern mindre urenheder med en fugtig, blød klud, og tør overfladen tør.
- Fjern vandpletter med en mild opløsning af eddike. Denne opløsning må ikke anvendes på rammen, da det kan fjerne dens glans.
- Ved genstridigt snavs bruges specialrensemidler til glaskeramik ved at følge producentens anvisninger. Hvis intet andet virker, fjernes genstridigt snavs med en skraber. Hold skraberens vinkel (45° til 60°), tryk forsigtigt skraberens mod glasset, og skub for at fjerne snavset.

Misfarvning af den glaskeramiske overflade skyldes normalt madrester, der brænder fast på overfladen, eller brug af kogeobjekt af uegnet materiale (såsom aluminium eller kobber). Sådant misfarvning er meget vanskelig at fjerne helt, men det påvirker ikke funktionen af kogepladen og dækkes derfor ikke af garantien.

Rengøring af glasoverflader

Glasoverflader rengøres med udstyr og midler beregnet til rengøring af glas, spejle og vinduer.



FORSIGTIG!

Brug ikke grove slibende rengøringsmidler eller skarpe metalskrabere, da de kan få overfladen til at revne og glasset til at gå itu.

Rengøring af overflader af rustfrit stål

Rengør overflader af rustfrit stål med et mildt rengøringsmiddel og en blød svamp, som ikke vil ridse overfladen.



FORSIGTIG!

Brug ikke slibende rengøringsmidler eller rengøringsmidler, der indeholder opløsningsmidler, da de kan beskadige overfladen.

Rengøring af emaljeoverflader

Rengør emaljeoverflader med en fugtig svamp. Fjern fedtpletter med varmt vand og et særligt rengøringsmiddel til emalje.



FORSIGTIG!

Rengør ikke emaljeoverflader med slibende rengøringsmidler eller redskaber, da de kan forårsage permanent skade.

Rengøring af plastikdele og lakerede overflader

Fjern straks alle pletter på plastikdele og lakerede overflader med en blød ikke-slibende klud og lidt vand. Du kan også bruge rengøringsmidler og -redskaber beregnet til plastikoverflader og lakerede overflader. Følg producentens anvisninger.



FORSIGTIG!

Brug ikke slibende rengøringsmidler, slibende redskaber eller alkoholbaserede rengøringsmidler.

Rengøring af ovnen

Rengør jævnlgt ovnrummet.



FORSIGTIG!

Læn dig ikke mod den åbne låge, mens ovnrummet rengøres. Stå aldrig på den åbne ovnlåge, og lad ikke børn sidde på den. Ovnlågens hængsler kan blive beskadiget ved for stor belastning.



FORSIGTIG!

Brug ikke slibende rengøringsmidler. De vil ridse emaljebelagte overflader.

- Rengør ovnvæggene med en fugtig svamp og rengøringsmiddel. Brug et særligt rengøringsmiddel til emalje til fastbrændte pletter.
- Tør ovnen omhyggeligt efter rengøring.
- Rengør riller og teleskopskinner ved hjælp af et traditionelt rengøringsmiddel.



FORSIGTIG!

Rengør ikke teleskopskinnerne i opvaskemaskine.

- Rengør ovnredskaberne med en svamp og rengøringsmiddel. Du kan bruge specialrengøringsmidler til vanskelige eller fastbrændte pletter.


Brug af WaterClean-programmet

Brug WaterClean-programmet til nemt at fjerne pletter og madrester fra ovnen.



FORSIGTIG!

Sørg for, at ovnen er kølet af, før du starter WaterClean-programmet.

1. Drej funktionsvælgeren til .
2. Drej temperaturvælgeren til 70 °C.

3. Hæld 0,6 liter vand i en bageplade, og placer den i nederste rille.
4. Lad programmet køre i 30 minutter. Madresterne vil blive bløde.
5. Rengør ovenvæggene af emalje med en fugtig klud.

FEJLFINDING

Du kan løse mange mindre problemer med hjælp fra fejlfindingsoplysningerne. Hvis problemet fortsætter, må du ikke forsøge at reparere apparatet på andre måder end nævnt i denne manual.

**ADVARSEL!**

Risiko for elektrisk stød!

- Forsøg ikke at udføre nogen reparationer selv. Manipulation af apparatet og uprofessionel reparation kan medføre personskaade eller skader på apparatet. Det vil også ugyldiggøre garantien. Kontakt i stedet en servicetekniker.
- Udskift ikke selv elledningen. Hvis elledningen er beskadiget, skal den udskiftes af producenten eller af en autoriseret tekniker for at undgå farer.

Hovedsikringen i dit hjem springer tit

Effekten af alle tændte apparater overstiger kapaciteten af lysnettet i dit hjem

Kontakt en servicetekniker.

Ovnlyset virker ikke

Ovnlyset skal udskiftes

Se afsnit "Udskiftning af ovnlyspæren", [side 168](#).

Maden steges/bages ikke tilstrækkeligt

Problemet kan have andre årsager. Følg instruktionerne for de foreslåede årsager for at løse problemet.

Den forkerte temperatur eller madlavningstilstand er valgt

Sørg for at vælge den rigtige temperatur og tilberedningsfunktion.

Ovnlågen er åben

Sørg for, at ovnlågen er lukket.

Udskiftning af dele

Udskiftning af ovnlyspæren

Når pæren går itu, skal den udskiftes med en halogenpære G9, 25 W.

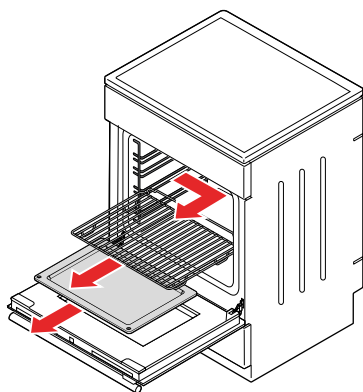
**ADVARSEL!**

Risiko for elektrisk stød! Før udskiftning af pæren skal apparatet altid afbrydes fra lysnettet.

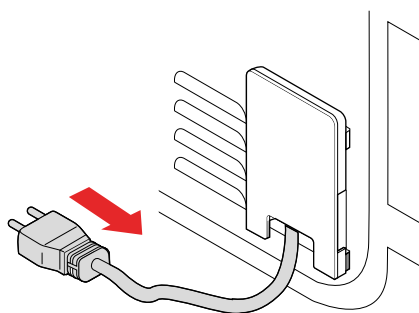
**BEMÆRK!**

Pæren er ikke dækket af garantien, da det er et forbrugselement.

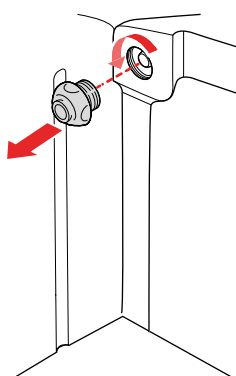
1. Fjern rist, skinner og plader.



2. Afbryd komfuret fra lysnettet.

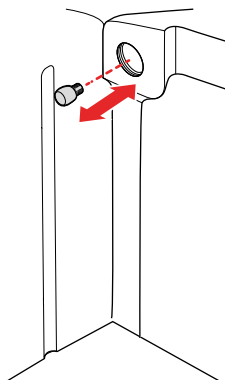
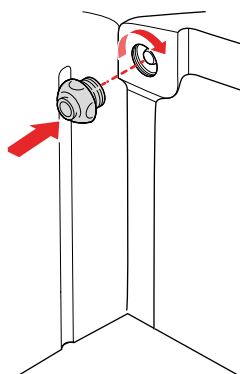
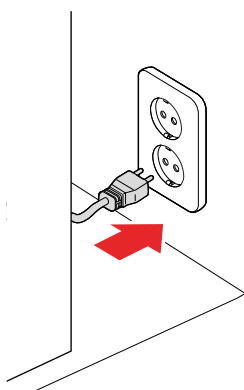


3. Fjern dækslet på pæren.



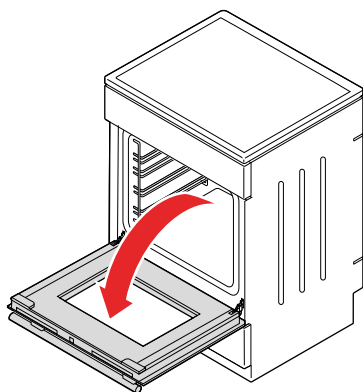
4. Udskift pæren.

ADVARSEL! Brug beskyttelse, når du fjerner den gamle pære, for at undgå at brænde dig.
FORSIGTIG! Pas på ikke at beskadige emaljeoverfladen.

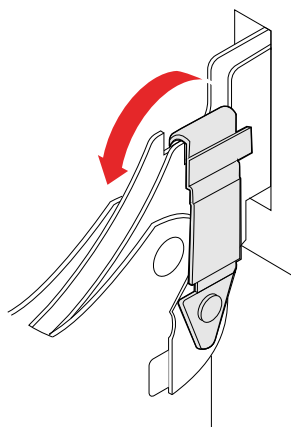
**5. Monter dækslet.****6. Tilslut komfuret til lysnettet.****Udskiftning af ovlågen**

Fjern og udskift ovlågen, hvis den går i stykker, eller hvis du har brug for at fjerne glasruden i ovlågen.

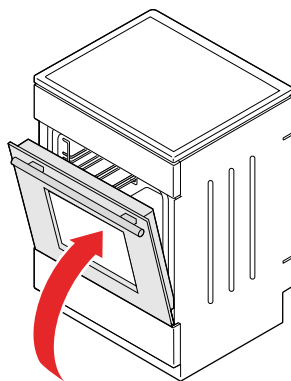
1. Åbn ovnlågen helt.



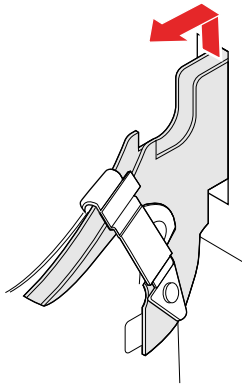
2. Hæv den op, og fold låsene på lågens hængsler.



3. Fold forsigtigt lågen til en vinkel på ca. 15°.



4. Fjern lågen: træk hængslerne ud af åbningerne.



Monter i omvendt rækkefølge.



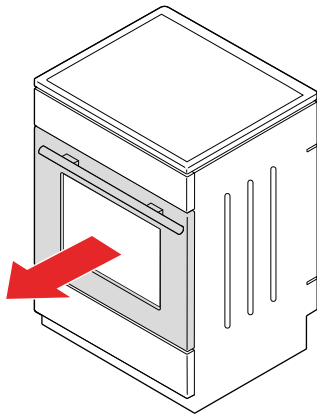
FORSIGTIG!

Sørg for, at hængslerne er korrekt placeret i krogene. Ellers kan lågen muligvis ikke åbnes og lukkes ordentligt.

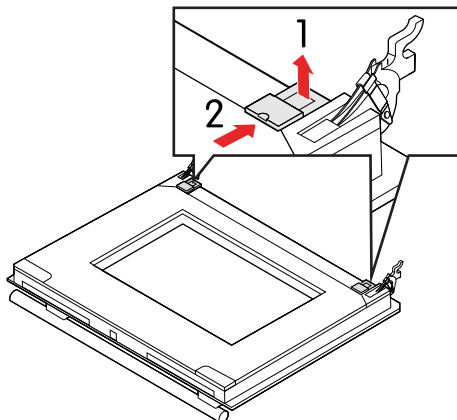
Afmontering og montering af glasruderne i ovnlågen

Afmonter glasruden i ovnlågen, hvis den er itu, eller du ønsker at rengøre den.

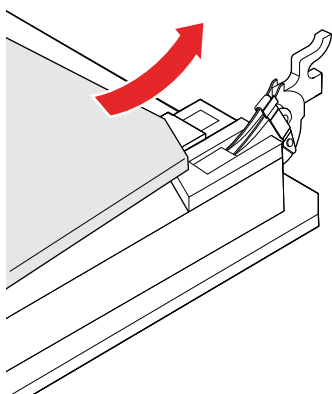
1. Afmonter ovnlågen fra apparatet.



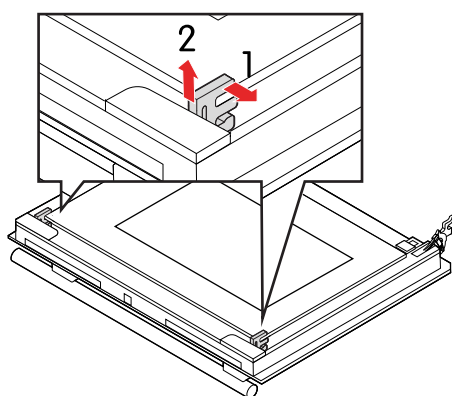
2. Løft beslagene en smule, og træk dem fri af glasset.



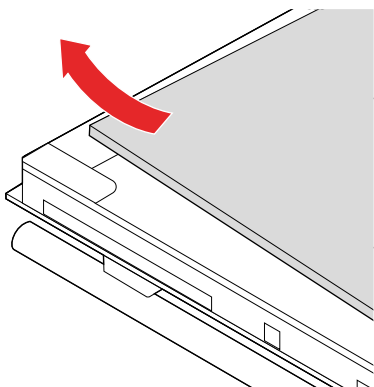
3. Løft den nederste ende af glasruden op, og fjern den.



4. Drej gummiholderne en smule, og træk dem fri af den resterende glasrude.



5. Løft den øverste ende af den resterende glasrude op, og fjern den.



Monter i omvendt rækkefølge.



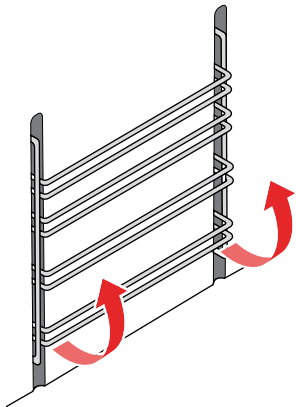
BEMÆRK!

Markeringerne (halvcirkel) på lågen og glasruden skal overlape hinanden.

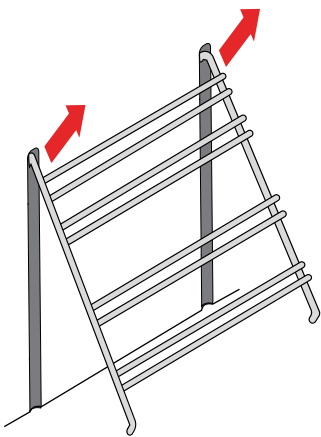
Afmontering og montering af rillerne

Brug denne fremgangsmåde til at afmontere og montere rillerne.

1. Træk den nederste del af rillerne ud af ovenvæggen.



2. Træk rillerne ud af hullerne foroven.



Monter rillerne i omvendt rækkefølge.

Ledningsforbindelser

Hvis elledningen bliver beskadiget, skal den straks udskiftes.



ADVARSEL!

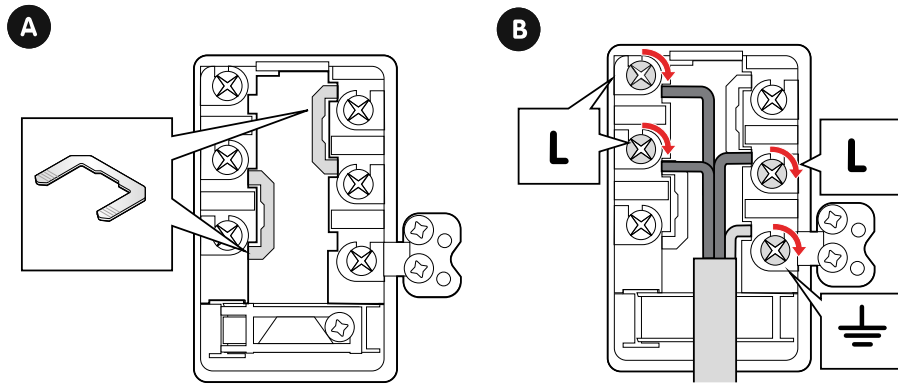
- Udskift ikke selv elledningen. Hvis elledningen er beskadiget, skal den udskiftes af producenten eller af en autoriseret tekniker for at undgå farer.
- Den elektriske installation skal følge de lokale bestemmelser.
- Brug en ledning på 4x1,5 mm² mærket H05VV-F 4G1.5 eller bedre.



BEMÆRK!

Reparationer eller garantikrav, som måtte opstå på grund af forkert tilslutning eller brug af komfuret, dækkes ikke af garantien.

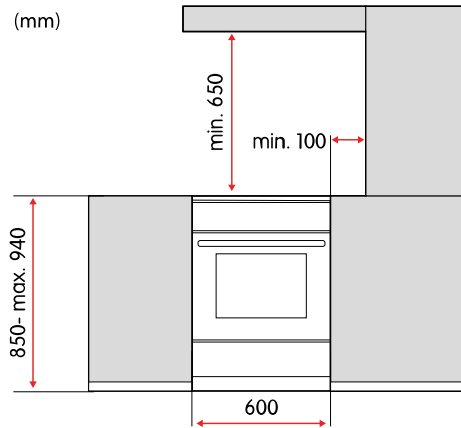
Den følgende illustration viser ledningsforbindelserne, se A for installation af forbindelser og B for tilslutning af elledningerne.



INSTALLATION

Placering af komfuret

Sørg for at placere ovnen i henhold til mål og andre faktorer beskrevet i dette afsnit.



ADVARSEL!

Risiko for brand!

- Sørg for, at gulvet og de tilstødende vægge kan modstå en temperatur på mindst 90 °C.
- Placer ikke ovnen bag ved en pyntedør, da det kan blive overophedet.



ADVARSEL!

Ovnen er beregnet til at anbringes direkte på gulvet uden støtter eller sokler.



FORSIGTIG!

Anbring ikke ovnen i nærheden af kraftige varmekilder som f.eks. fastbrændselsfy, da den høje temperatur kan beskadige ovnen.

Fastgørelse af komfuret til en væg

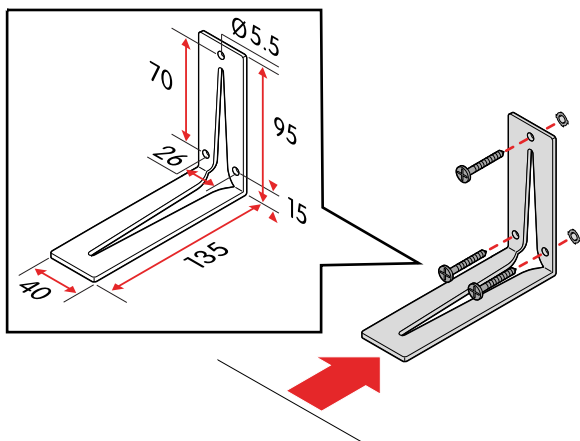
Komfuret forhindres i at vælte ved at fastgøre det til en væg.



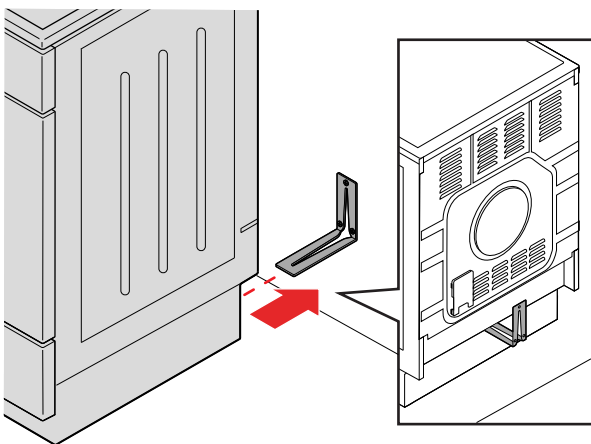
ADVARSEL!

Risiko for væltning! Der skal monteres stabilisering for at undgå, at apparatet vælter.

1. Fastgør beslaget til væggen ved hjælp af de medfølgende skruer og rawplugs.
ADVARSEL! Hvis de medfølgende skruer og rawplugs ikke er egnede til væggen, skal der anvendes skruer og rawplugs, som vil garantere sikker montering på væggen.



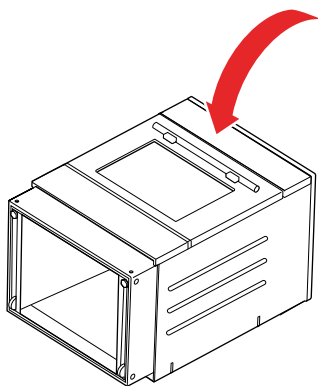
2. Placer komfuret ud for beslaget, og fastgør det.



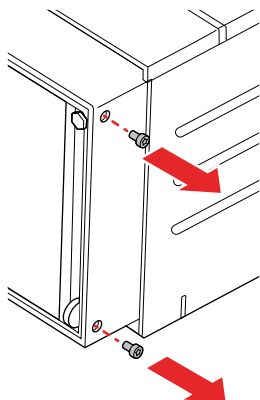
Justering af komfurets højde

Komfurets højde kan justeres fra 850 mm til 940 mm.

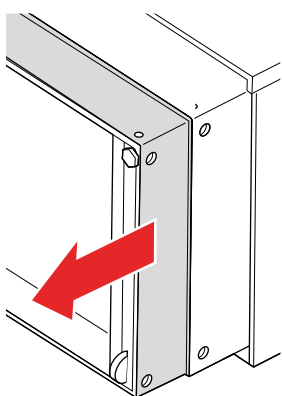
1. Læg komfuret ned på gulvet på dets bagside.



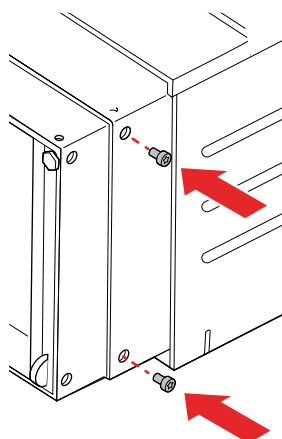
2. Skru skruerne løs.



3. Juster højden.



4. Skru skruerne i igen.



Nivellering af komfuret

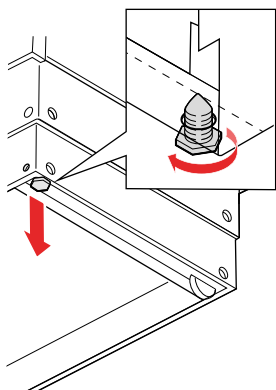
Niveller komfuret ved at justere højden af fødderne for og hjulene bag hver for sig.



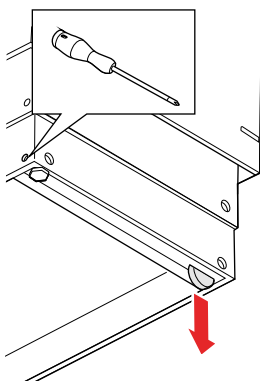
ADVARSEL!

Komfuret skal installeres, så det er i niveau vandret.

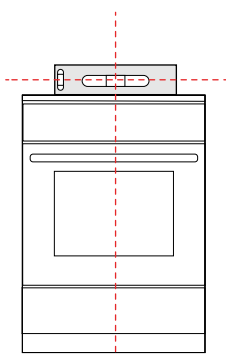
1. Drej de forreste fødder for at justere højden.



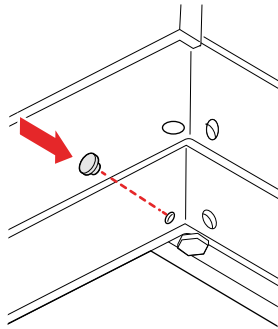
2. Drej hjuljusteringsskruerne for at justere højden af hjulene bag.



3. Læg et vaterpas oven på komfuret for at kontrollere den vandrette position. Juster efter behov.



4. Sæt blændpropperne i hullerne.



Tilslut til lysnettet.

Komfuret er forsynet med en monteret elledning klar til tilslutning til et 400 V, 50 Hz stik.



ADVARSEL!

Hvis apparatet skal tilsluttes til en fast elektrisk forbindelse:

- Tilslut ikke selv komfuret til lysnettet. Komfuret må kun tilsluttes af en autoriseret tekniker.
- Brug en ledning på 4×1,5 mm² mærket H05VV-F 4G1.5 eller bedre til forbindelsen.



ADVARSEL!

- Den elektriske installation skal følge de lokale bestemmelser.
- Brug ikke eksterne timere eller særskilte fjernbetjeningsystemer til at kontrollere komfuret.



FORSIGTIG!

Læs nøje brugsvejledningen, før apparatet tilsluttes. Reparationer eller garantikrav, som måtte opstå på grund af forkert tilslutning eller brug af apparatet, dækkes ikke af garantien.

1. Tilslut stikket til et 400 V, 50 Hz stik.

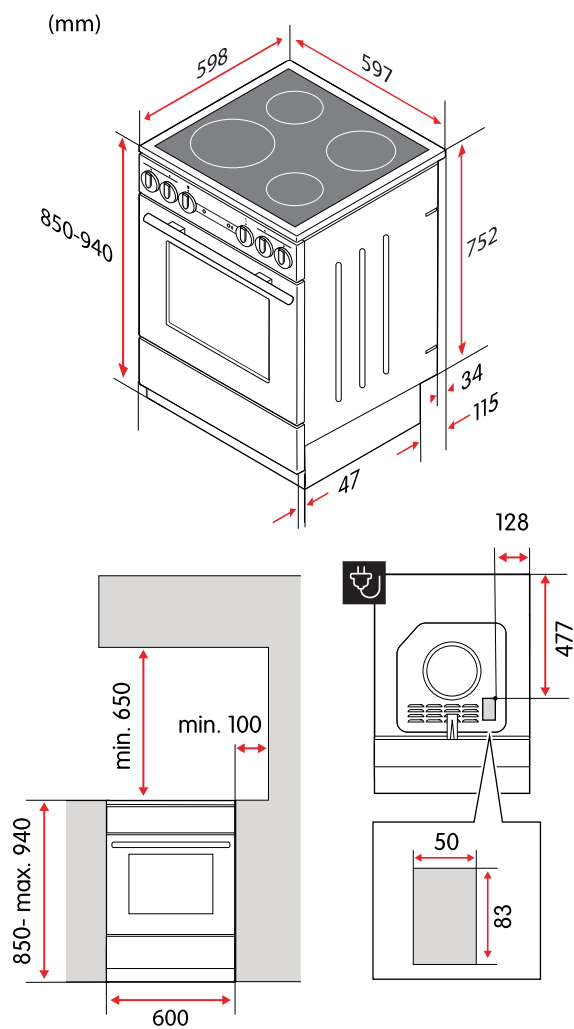
TILLÆG

Specifikationer

Produktkode	CCS46401VN-E2
Højde	85-94 cm
Bredde	59,7 cm
Dybde	59,8 cm
Vægt	46,8 kg
Volumen af ovnrum	74 l
Strømforsyning	380-415 V, 3-50 Hz
Elektrisk kapacitet	9 300 W

Kogezone	Diameter	Effekt
Forrest til venstre	21 cm	2,3 kW
Bagest til venstre	14,5 cm	1,2 kW
Bagest til højre	18 cm	1,8 kW
Forrest til højre	14,5 cm	1,2 kW

Mål



EU-direktiver og standarder

Dette produkt opfylder de relevante EU-direktiver og bestemmelser og bærer CE-mærkningen. Hvis EU-overensstemmelseserklæringen ikke følger med produktet, fås en kopi på anmodning.

Produktets ydeevne er afprøvet i overensstemmelse med EN 60350-1.

Sisällysluettelo

TURVALLISUUS	185
Varoitukset.....	185
Aiottu käyttötarkoitus.....	185
Lasten ja vajaakykyisten henkilöiden turvallisuus	185
Yleinen turvallisuus.....	186
Turvallisuus asennuksen aikana	186
Turvallisuus käytön aikana.....	187
Turvallisuus huollon aikana.....	188
Turvallisuuskilvet.....	189
Hävittäminen.....	189
PIKAOPAS	190
Uunin pikaopas.....	190
Keittoalueen pikaopas	191
ALOITTAMINEN	192
Ennen kuin käytät liettä.....	192
Keittoalueen yleiskuvaus	192
Lieden säätimet.....	192
Avaa lapsilukko	192
Kytke lämpötilan valitsimessa oleva lapsilukko päälle ja pois.....	193
Varusteet	194
RUOANLAITTO KEITTOALUEELLA	195
Keittoalueen pinta.....	195
Sopivat keittoastiat.....	195
Kytke virta keittoalueisiin ja sammuta se	195
Säästä energiaa.....	195
Jälkilämmön merkkivalo	196
RUOANLAITTO UUNILLA	197
Kypsennystilat	197
Alalämpövastus.....	197
Ylä- ja alalämpövastus	197
Grilli	197
Suuri grilli	197
WaterClean	197
Pizza	197
Kytke virta uuniin ja sammuta se	198
Muuta uunin lämpötilaa	198
Vaihda uunin kypsennystilaa	198
Uunin kypsennystilan ohje	198
Lankaohjaimet	199
Grillaussuosituksset	199

Lihan paistosuosituksia	199
Paistamissuosituksia	200
PUHDISTUS	201
Puhdista keittoalueen pinta	201
Puhdista lasipinnat	201
Puhdista ruostumattomat teräspinnat	201
Puhdista emalipinnat	202
Puhdista muovisoat ja lakkapinnat	202
Puhdista uuni	202
Käytä WaterClean-ohjelmaa	202
VIANMÄÄRITYS	203
Kotisi pääsulake palaa usein	203
Uunin valo ei toimi	203
Ruoka ei kypsy	203
Osien vaihtaminen	203
Vaihda uunin valon lamppu	203
Vaihda uunin luukku	205
Irrota ja asenna uunin luukun lasipaneelit	207
Irrota ja asenna lankaohjaimet	208
Virtajohdon johdinten kytkennät	209
ASENTAMINEN	211
Lieden sijoitus	211
Kiinnitä liesi seinään.	211
Säädä liedon korkeus	212
Suorista liesi	213
Kytke verkkovirta	215
LIITE	216
Tekniset tiedot	216
Mitat	217
EU-direktiivit ja -standardit	217

TURVALLISUUS

Lue ohjeet huolellisesti ennen tuotteen asentamista ja käyttämistä. Säilytä ohjeet ja pidä ne lähellä tuotetta tulevaa käyttöä varten. Kaikki takuut raukeavat, jos näitä ohjeita ei noudateta.

Varoitukset

**VAROITUS!**

Käytetään, kun henkilövahinkojen riski on olemassa.

**OLE VAROVAINEN!**

Käytetään, kun tuotteen vahingoittumisen riski on olemassa.

**HUOMAA!**

Yleisiä tietoja, jotka käyttäjän tulee tietää.



Vinkkejä, joista voi olla hyötyä.

Aiottu käyttötarkoitus

Tämä tuote on tarkoitettu

- kotitalouskäyttöön.
- erilaisten ruokien lämmittämiseen ja paistamiseen.
- asetettavaksi suoraan lattialle ilman tukia tai sokkeleita.

Tätä tuotetta ei ole tarkoitettu

- muihin tarkoituksiin kuin ruoanlaittoon, kuten huoneen lämmitykseen tai vastaaviin tarkoituksiin.
- asennettavaksi sisäänrakennettuna laitteena.
- ulkokäyttöön.
- ohjattavaksi ulkoisilla ajastimilla tai erillisillä ohjausjärjestelmillä.

Lasten ja vajaakykyisten henkilöiden turvallisuus

**VAROITUS!**

Anna seuraaviin ryhmiin kuuluvien henkilöiden käyttää tuotetta vain, jos he ovat valvonnassa tai jos heille on annettu ohjeet laitteen turvallisista käyttötavoista. Heidän on ymmärrettävä käyttöön liittyvät vaarat.

- Yli 8-vuotiaat lapset. (Alle 8-vuotiaiden lasten tulee olla jatkuvassa valvonnassa tai heidät tulee pitää poissa laitteen luota.)
- Henkilöt, joilla on rajallinen fyysinen, aisti- tai henkinen kapasiteetti.
- Henkilöt, joilla ei ole kokemusta ja osaamista.

**VAROITUS!**

- Älä anna lasten leikkiä tuotteella.
- Älä anna lasten puhdistaa tuotetta ilman valvontaa.

**VAROITUS!**

Käytä vain valmistajan suunnittelemaa tai suosittelemaa keittotasosuojuksia. Sopimattomien keittotasosuojuksen käyttö voi aiheuttaa onnettomuuksia.

Yleinen turvallisuus



VAROITUS!

Tulipalovaara!

- Älä säilytä keittotasolla mitään.
- Älä säilytä syttyviä, räjähtäviä, haihtuvia tai lämpötilaherkkiä asioita (kuten paperia, keittiöliinoja, muovipusseja, puhdistus- tai pesuaineita ja spraypurkkeja) uunin vetolaatikossa, koska ne voivat syttyä käytön aikana ja aiheuttaa tulipalon. Ruoanlaitto rasvaa tai öljyä käyttäen keittoalueella ilman valvontaa voi aiheuttaa tulipalon.
- Älä koskaan yritä sammuttaa tulta vedellä. Sen sijaan sammuta laitteen virta ja peitä liekki esimerkiksi kannella tai sammutuspeitteellä.



VAROITUS!

Sähköiskun vaara!

- Jos keittopinnassa on halkeamia, sammuta tuotteen virta välittömästi ja irrota se verkkovirrasta. Älä käytä tai kosketa tuotetta.
- Pidä muiden laitteiden virtajohdot turvallisella etäisyydellä, etteivät ne jää uunin luukun väliin, sillä johdot voivat vaurioitua ja aiheuttaa oikosulun.

Turvallisuus asennuksen aikana



VAROITUS!

Tulipalovaara!

- Varmista, että lattia ja viereiset seinät kestävät vähintään 90 °C:n lämpötilan.
- Älä asenna laitetta koristeoven taakse, sillä se voi ylikuumentua.



VAROITUS!

Varmista, että kaikki pakkausmateriaalien jäänteet on otettu pois uunista.



VAROITUS!

- Laitte on tarkoitettu sijoitettavaksi suoraan lattialle ilman mitään tukia tai sokkeleita.
- Jos toimitetut ruuvit tai ankkurit eivät ole seinään sopivia, käytä sellaisia, jotka varmistavat lujan kiinnityksen seinään.
- Liesi on asennettava vaakatasossa suoraan.



VAROITUS!

Sähköiskun vaara! Älä liitä laitetta verkkovirtaan itse. Vain valtuutettu asentaja saa kytkeä tämän laitteen.



VAROITUS!

- Sähköasennuksessa tulee noudattaa paikallisia määräyksiä.
- Tarkista, että suojamaajohdin on kiinnitetty kunnolla, kun teet kytkennän virtalähteeseen.
- Käytä yksivaiheisen virransyötön yhteydessä 3×4,0 mm² johtoa, jonka luokitus on vähintään H05VV-F 3G4.
- Käytä kolmivaiheisen virransyötön yhteydessä 5×1,5 mm² johtoa, jonka luokitus on vähintään H05VV-F 5G1.5.
- Älä käytä laitteen ohjaamiseen ulkoisia ajastimia tai erillisiä kauko-ohjausjärjestelmiä.



OLE VAROVAINEN!

Älä asenna laitetta voimakkaiden lämmönlähteiden, kuten kiinteällä polttoaineella toimivien uunien, lähelle, sillä korkea lämpötila voi vahingoittaa laitetta.



OLE VAROVAINEN!

Lue käyttöohjeet huolellisesti ennen laitteen kytkemistä virtalähteeseen. Takuu ei kata korjauksia tai takuuvaatimuksia, jotka johtuvat virheellisestä asennuksesta tai laitteen käytöstä.

Turvallisuus käytön aikana



VAROITUS!

Valvo ruoanlaittoprosessia jatkuvasti.



VAROITUS!

Jos keittoalueen pinta rikkoutuu, irrota tuote välittömästi verkkovirrasta. Älä käytä laitetta.



VAROITUS!

Tulipalovaara! Varmista, etteivät ilmanvaihtoreiät ole milloinkaan peitettyjä tai tukittuja.



VAROITUS!

Jälkilämpö aiheuttaa palovammariskin. Kuumentunut keittoastia lämmittää keittoaluetta välillisesti, ja se pysyy jonkin aikaa kuumana sammuttamisen jälkeenkin.



VAROITUS!

Palovammojen vaara!

- Keittoastiat ja laitteen esillä olevat osat voivat tulla erittäin kuumiksi käytön aikana. Varo, ettet kosketa kuumia osia.
- Uunin luukku voi tulla erittäin kuumaksi käytön aikana.
- Älä laita keittoalueille metalliesineitä, kuten veitsiä, haarukoita, lautasia tai kansiä, sillä nämä esineet voivat tulla erittäin kuumiksi.



VAROITUS!

- Käytä grilliä vain, kun uunin luukku on kiinni.
- Käytä uunikintaita tai pihtejä. Grillivastus, ritilä ja muut uunin varusteet kuumenevat erittäin voimakkaasti grillauksen aikana.



OLE VAROVAINEN!

- Pinta kestää erittäin hyvin lämpötilan muutoksia, mutta putoavat raskaat esineet voivat vahingoittaa sitä. Pinta voi hajota heti tai jonkin ajan kuluttua osuman jälkeen.
- Varmista, että keittoalue ja keittoastian pohja ovat puhtaat ja kuivat suorituskyvyn parantamiseksi ja pintavaurioiden estämiseksi.
- Jos sokeria tai hyvin sokeripitoista ruokaa valuu pinnalle, kun se on kuuma, poista sokeri kuumalta pinnalta heti liinalla tai raaputtimella. Muussa tapauksessa pinta voi vaurioitua.
- Älä koskaan käytä pesu- tai puhdistusaineita kuuman pinnan puhdistamiseen.
- Älä käytä keittoaluetta säilytystilana, sillä seurauksena voi olla naarmuja tai vaurioita.



OLE VAROVAINEN!

Älä käännä lämpötilan valitsinta nolla-asennon alapuolelle, kun muutat uunin lämpötilaa. Tämä voi vahingoittaa termostaattia.



OLE VAROVAINEN!

- Tarkista, että keittoastia mahtuu keittoalueen halkaisijan sisään. Jos keittoastia on liian pieni, osa lämmöstä menee hukkaan ja keittoalue voi vaurioitua.
- Älä peitä uunin seinämiä alumiinifoliolla. Alumiinifolio estää ilmankierron uunissa, haittaa ruoanlaittoprosessia ja pilaa emalipinnan.
- Älä laita paistopeltejä tai muita keittoastioita uunin pohjalle.
- Älä laita syvää paistoastiaa ensimmäiseen ohjaimeen.

Turvallisuus huollon aikana



VAROITUS!

Sähköiskun vaara!

- Älä yritä tehdä mitään korjauksia itse. Laitteen muutokset ja ammattitaidottomat korjaukset voivat aiheuttaa henkilövahinkoja tai laitteen vaurioitumisen. Ne saavat myös takuun raukeamaan. Ota sen sijaan yhteyttä huoltoteknikkoon.
- Älä vaihda virtajohtoa itse. Jos virtajohto on vaurioitunut, valmistajan tai valtuutetun huoltoteknikon on vaihdettava se vaarojen välttämiseksi.



VAROITUS!

Sähköiskun vaara! Irrota laite aina verkkovirrasta ennen lampun vaihtamista.



VAROITUS!

Suojaa itsesi irrottaessasi vanhaa lamppua, ettet polta itseäsi.



VAROITUS!

Älä anna lasten puhdistaa tuotetta ilman valvontaa.



VAROITUS!

Sähköiskun vaara!

- Irrota laite verkkovirrasta ennen puhdistamista.
- Älä käytä höyry- tai korkeapainepuhdistimia laitteen puhdistamiseen, sillä tämän seurauksena voi olla sähköisku.



VAROITUS!

Tarkista, että saranan salvat ovat oikein luukun sivulistoissa, ennen kuin asennat sen. Tämä estää saranoita sulkeutumasta äkillisesti, mikä voi aiheuttaa loukkaantumisen tai vaurioittaa luukua.



OLE VAROVAINEN!

- Anna aina laitteen jäähtyä ennen puhdistamista.
- Varmista, että uuni on jäähtynyt, ennen kuin käynnistät WaterClean-ohjelman.



OLE VAROVAINEN!

- Älä käytä teräsvillaa, karkeita puhdistussieniä tai hankaavaa jauhetta, sillä ne voivat naarmuttaa pintaa. Myös voimakkaat pesusuihkeet, karstanpoistoaineet ja muut sopimattomat nestemäiset puhdistusaineet voivat vahingoittaa pintaa.
- Älä käytä hankaavia puhdistusaineita tai teräviä metalliraaputtimia lasipintojen puhdistamiseen, sillä ne voivat lohkaista pinnan ja aiheuttaa lasin rikkoutumisen.
- Älä käytä hankaavia puhdistusaineita tai liuottimia sisältäviä puhdistusaineita ruostumattomia teräspintoja puhdistaussasi, sillä ne voivat vahingoittaa pintaa.
- Älä käytä hankaavia puhdistusaineita tai työkaluja emalipintoja puhdistaussasi, sillä ne voivat vahingoittaa pintaa.
- Älä käytä hankaavia puhdistusaineita, hankaavia työkaluja tai alkoholipohjaisia puhdistusaineita muoviosia tai lakattuja pintoja puhdistaussasi.
- Puhdistuksen jälkeen poista kaikki puhdistusaineen jäämät pinnalta, sillä pinta voi vaurioitua, kun lämmität keittoalueet seuraavan kerran.



OLE VAROVAINEN!

- Jos sokeria tai hyvin sokeripitoista ruokaa valuu pinnalle, kun se on kuuma, poista sokeri kuumalta pinnalta heti liinalla tai raaputtimella. Muussa tapauksessa pinta voi vaurioitua.
- Älä koskaan käytä pesu- tai puhdistusaineita kuuman pinnan puhdistamiseen.



OLE VAROVAINEN!

Älä nojaa uunin luukkuun, kun puhdistat uunia sisältä. Älä koskaan seiso uunin luukulla tai anna lasten istua sillä. Uunin luukun saranat voivat vaurioitua, jos niiden varassa on liian suuri kuorma.

**OLE VAROVAINEN!**

Älä puhdista teleskooppikiskoja astianpesukoneessa.

**OLE VAROVAINEN!**

Älä vahingoita emalipintaa, kun vaihdat lampun.

Turvallisuuskilvet

Tuotteessa on seuraavat turvallisuuskilvet.



Ole varovainen! Kaatumisriski.



Varoitus! Kaatumisen estämiseksi on asennettava kiinnikkeet.

Hävittäminen



Hävitä pakkaus ympäristöystävällisesti. Kansallisten ja paikallisten määräysten mukainen pakkausten kierrättäminen voi vähentää raaka-aineiden kulutusta ja kaatopaikoille päätyvän jätteen määrää.

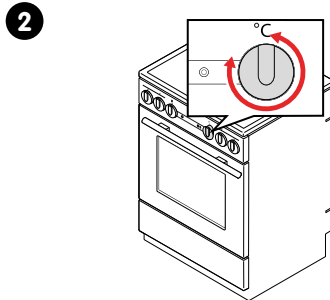
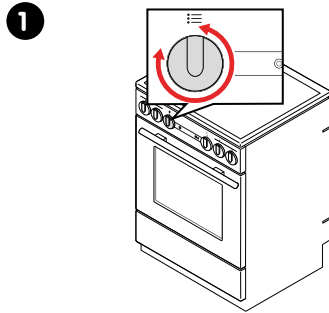
Tämä tuote on merkitty eurooppalaisen sähkö- ja elektroniikkalaiteromua koskevan direktiivin 2012/19/EU mukaisesti. Tuotteessa tai sen pakkauksessa oleva symboli osoittaa, ettei tätä tuotetta tule hävittää kotitalousjätteenä. Sen sijaan se tulee toimittaa asianmukaiseen keräyspisteeseen sähkö- ja elektroniikkalaiteromun kierrätykseen.

Varmistamalla tuotteen asianmukaisen hävittämisen autat estämään ympäristölle ja ihmisten terveydelle aiheutuvia haitallisia vaikutuksia, joita voi aiheutua tämän tuotteen epäasianmukaisesta hävittämisestä. Lisätietoja tämän laitteen kierrätyksestä saat ottamalla yhteyttä paikalliseen jätehuollosta vastaavaan viranomaiseen, jätehuoltopalveluusi tai tuotteen myyneeseen liikkeeseen.

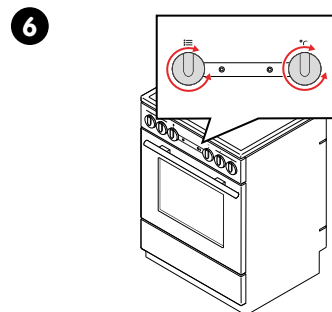
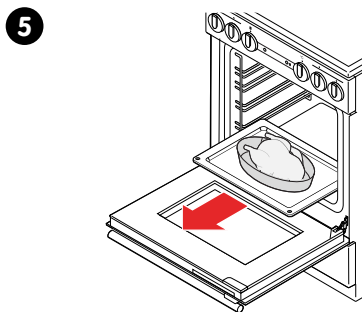
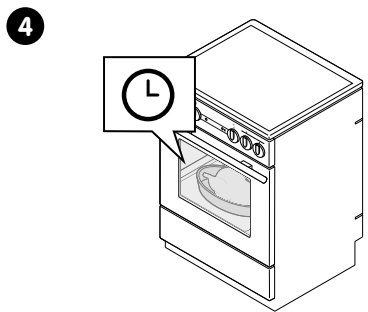
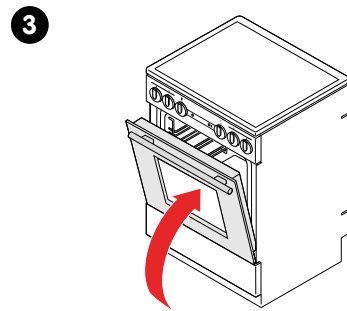
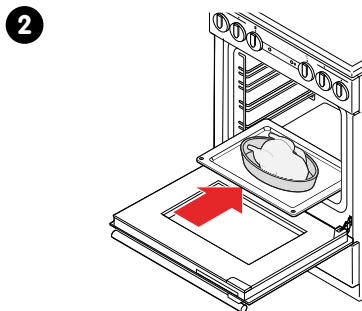
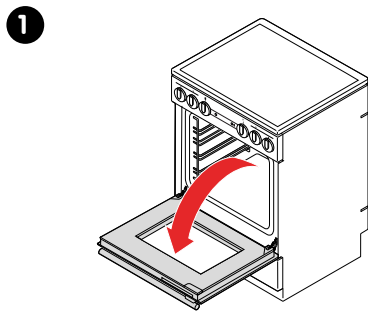
PIKAOPAS

Unin pikaopas

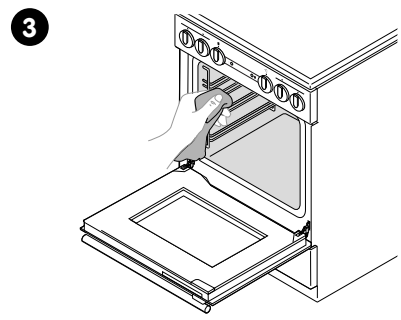
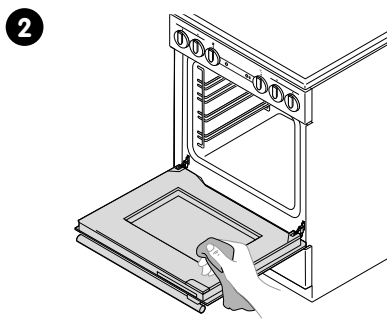
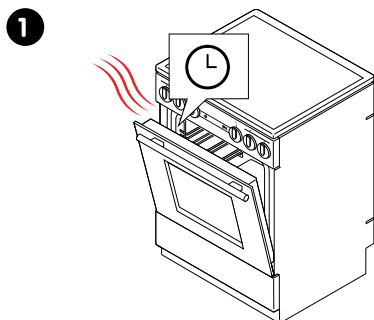
Valitse paistotila ja lämpötila



Ruoanlaitto

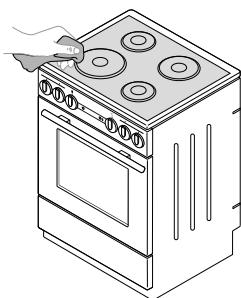


Ruoanlaiton jälkeen

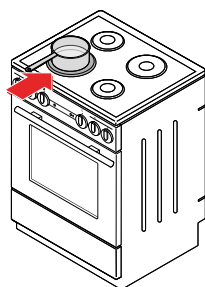
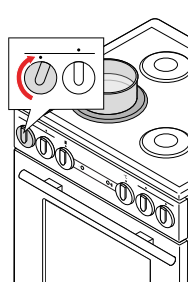
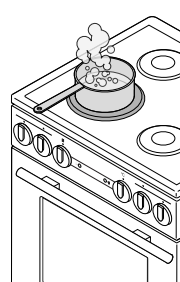
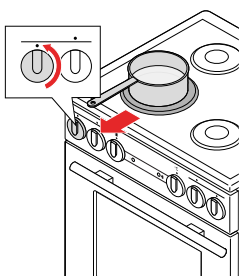


Keittoalueen pikaopas

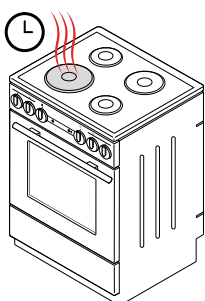
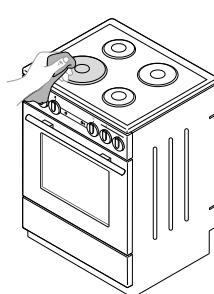
Ennen ruoanlaittoa

1

Ruoanlaitto

1**2****3****4**

Ruoanlaiton jälkeen

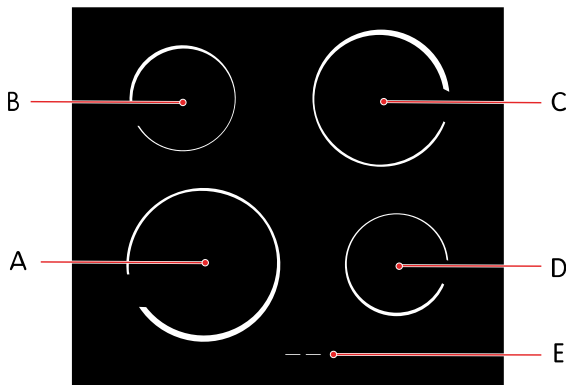
1**2**

ALOITTAMINEN

Ennen kuin käytät liettä

- Poista kaikki kuljetuspakkaukset ja -varusteet liedestä.
- Puhdista kaikki varusteet ja tarvikkeet lämpimällä vedellä ja tavallisella puhdistusaineella. Älä käytä hankaavia puhdistusaineita.
- Puhdista keittoalueen lasikeraaminen pinta nihkeällä liinalla ja astianpesuaineella. Älä käytä voimakkaita puhdistusaineita, kuten hankaavia puhdistusaineita, jotka voivat aiheuttaa naarmuja, hankaavia astianpesusieniä tai tahrannoitustoaineita.
- Lämmitä uuni tyhjänä 275 °C:seen 60 minuutin ajaksi. Pidä huolta tilan ilmanvaihdosta, sillä liedestä tulee uuden laitteen ominaishajua.
VAROITUS! Varmista, että kaikki pakkausmateriaalien jäänteet on otettu pois uunista.

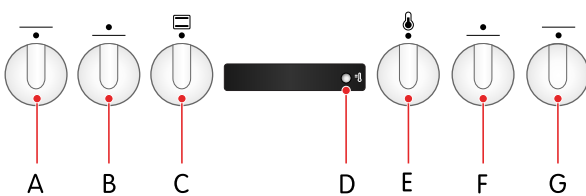
Keittoalueen yleiskuvaus



- A. Etuvasen keittoalue
- B. Takavasen keittoalue
- C. Takaoikea keittoalue
- D. Etuoikea keittoalue
- E. Jälkilämmön merkkivalo

Lieden säätimet

Hallitse liettä kääntämällä valitsimia.



- A. Etuvasen keittoalueen tehon valitsin
- B. Takavasen keittoalueen tehon valitsin
- C. Uunin kypsennystilan valitsin
- D. Lämpötilan merkkivalo (punainen)
- E. Uunin lämpötilan valitsin
- F. Takaoikean keittoalueen tehon valitsin
- G. Etuoikean keittoalueen tehon valitsin

Valot

Lämpötilan merkkivalo syttyy, kun uuni lämpenee, ja sammuu, kun uuni on saavuttanut valitun lämpötilan.

Avaa lapsilukko

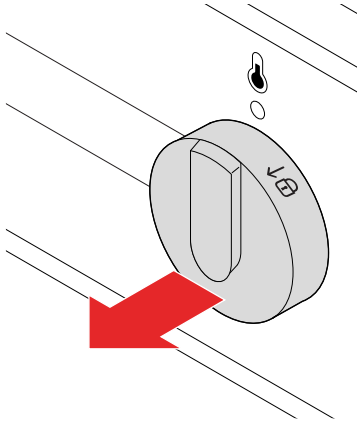
Uunin luukku lukittuu automaattisesti, kun suljet sen.

1. Paina lapsilukkoa kevyesti oikealle peukalolla.
2. Vedä uunin luukku samalla, kun edelleen painat lapsilukkoa.

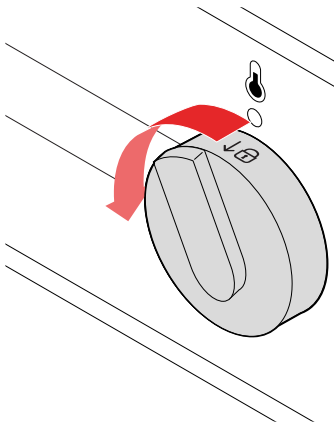
Kytke lämpötilan valitsimessa oleva lapsilukko päälle ja pois

Ota lapsilukko käyttöön

1. Vedä lämpötilan valitsinta ulospäin.

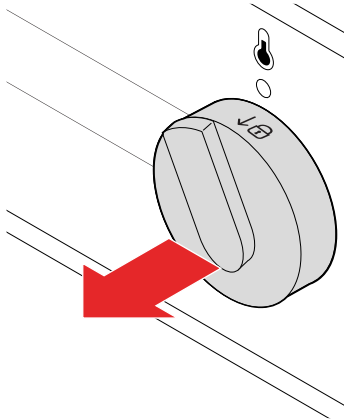


2. Käännä lämpötilan valitsinta 15° asentoon $\downarrow\oplus$ ja vapauta se. Valitsin on nyt lukittu, eikä keittoalueita ja uunia voi enää kytkeä päälle, joten lapset eivät voi kytkeä niitä vahingossa päälle.

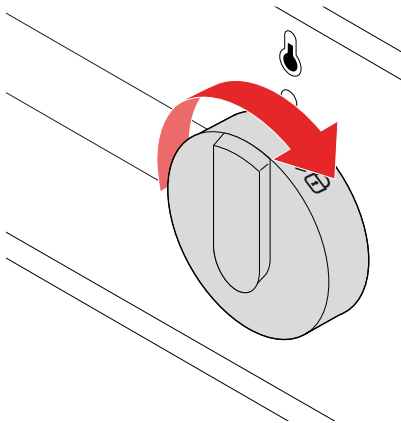


Ota lapsilukko pois käytöstä

1. Vedä lämpötilan valitsinta ulospäin.

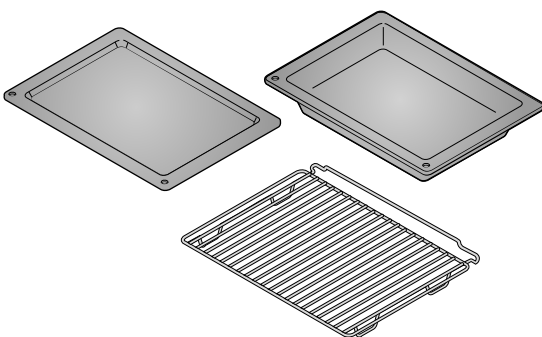


2. Käännä lämpötilan valitsinta 15° myötäpäivään ja vapauta se. Valitsimen lukitus on avattu, ja keittoalueet ja uunin voi kytkeä päälle.



Varusteet

Lieden mukana toimitetaan joitakin hyödyllisiä varusteita, jotka parantavat ruoanlaittokokemustasi.



Matalat paistopellit

Leivonnaisten paistamiseen tai rasvapeltinä käytettäväksi.

Erittäin syvä paistopelti

Suurten kasvis- ja lihamäärien paistamiseen tai ruoan säilytykseen.

Ritilä

Lihan tai kalan grillaukseen.

RUOANLAITTO KEITTOALUEELLA

Keittoalueen pinta

Keittoalueen pinta on yhtenäistä lasikeraamista materiaalia. Tässä on neuvoja pinnan käyttämiseen ja ylläpitoon.

- Pinta kestää erittäin hyvin lämpötilan muutoksia, mutta putoavat raskaat esineet voivat vahingoittaa sitä. Pinta voi hajota heti tai jonkin ajan kuluttua osuman jälkeen.



VAROITUS!

Jos pinta rikkoutuu, irrota tuote välittömästi verkkovirrasta. Älä käytä laitetta.

- Varmista, että keittoalue ja keittoastian pohja ovat puhtaat ja kuivat suorituskyvyn parantamiseksi ja pintavaurioiden estämiseksi.



OLE VAROVAINEN!

Jos sokeria tai hyvin sokeripitoista ruokaa valuu pinnalle, kun se on kuuma, poista sokeri kuumalta pinnalta heti liinalla tai raaputtimella. Muussa tapauksessa pinta voi vaurioitua.

Älä koskaan käytä pesu- tai puhdistusaineita kuuman pinnan puhdistamiseen.

- Älä käytä keittoaluetta säilytystilana, sillä seurauksena voi olla naarmuja tai vaurioita.

Sopivat keittoastiat

Parhaiden tulosten saamiseksi ja vaurioiden estämiseksi käytä sopivia keittoastioita.

- Käytä laadukkaita keittoastioita, joissa on tasainen ja vakaa pohja.
- Tarkista, että keittoastia mahtuu keittoalueen halkaisijan sisään.



Kun ostat keittoastioita, huomaa, että ilmoitettu halkaisija viittaa yleensä yläreunaan tai kanteen, joka on tavallisesti suurempi kuin pohjan halkaisija.

- Karkaistusta lasista valmistettuja, erikoispohjalla varustettuja keittoastioita voi käyttää, jos niiden halkaisija mahtuu keittoalueelle. Halkaisijaltaan suuremmat keittoastiat voivat haljeta lämpökuorituksen vuoksi.

Kytke virta keittoalueisiin ja sammuta se

1. Kytke keittoalue päälle kääntämällä valitsinuppia. Voit asettaa kuumennustehon asteittain välillä 1 - 9. Keittoalueen lämpöä säädetään kytkemällä virta päälle ja pois määrätyn väliajoin. Välin pituus riippuu asetetusta tehotasosta.
2. Sammuta keittoalue kääntämällä valitsinuppi asentoon 0.

Säästä energiaa

Seuraavassa on joitakin vinkkejä siitä, miten voit säästää energiaa.

- Tarkista, että keittoastia mahtuu keittoalueen halkaisijan sisään. Jos keittoastia on liian pieni, osa lämmöstä menee hukkaan ja keittoalue voi vaurioitua.
- Käytä valmistamasi ruoan määrälle sopivaa keittoastiaa. Tarvittavaa suuremman keittoastian käyttäminen kuluttaa enemmän energiaa.
- Peitä keittoastia kannella, jos mahdollista.
- Jos ruoan valmistaminen kestää kauan, käytä painekeitintä.
- Kasviksia, perunoita jne. voi keittää pienemmässä vesimäärässä. Ruoka kypsentyvät aivan yhtä hyvin, kunhan keittoastia on tiiviisti suljettu kannella. Kun vesi kiehuu vähennä lämpöä tasolle, joka juuri ja juuri riittää vähäisen kiehumisen ylläpitämiseen.

Jälkilämmön merkkivalo

Keittoalueet voivat pysyä kuumina jonkin aikaa niiden sammuttamisen jälkeen. Kuumien keittoalueiden osoituksena on jälkilämmön merkkivalo. Merkkivalo sammuu, kun keittoalue on jäähtynyt.

Jälkilämmön merkkivalo palaa myös, jos viileälle keittoalueelle laitetaan kuuma keittoastia.

**VAROITUS!**

Jälkilämpö aiheuttaa palovammariskin.

RUOANLAITTO UUNILLA

- Käytä tummia, mustalla silikonilla päällystettyjä tai emaloituja paistopeltejä. Ne välittävät lämpöä paremmin.
- Monenlaisten leivonnaisten kypsentyminen peräkkäin säästää energiaa, koska uuni on jo kuuma. Jäähtyneen uunin lämmittäminen kuluttaa enemmän energiaa.
- Uunin sisällä voi joskus syntyä höyryä ruoanlaiton aikana. Höyry voi tiivistyä luokkuun ja liedon kanteen. Tämä on normaalia, eikä se vaikuta liedon toimintaan. Pyyhi mahdollinen tiivistynyt vesi liinalla.
- Jos jätät astian uuniin kypsennyksen jälkeen, siitä voi haihtua höyryä, joka tiivistyy etupaneeliin ja uunin luokkuun.



Voit sammuttaa uunin noin 10 minuuttia ennen kypsennysprosessin loppua. Tämä säästää energiaa, kun jo kertynyttä lämpöä käytetään.

Kypsennystilat

Alalämpövastus



Käytä tätä uunin tilaa ruoan alapinnan ruskistamiseen. Alalämpövastus säteilee lämpöä ruoan alapintaan. Suositeltu lämpötila: 180 °C.

Ylä- ja alalämpövastus



Käytä tätä uunin tilaa, kun kypsennät lihaa tai leivonnaisia, joita voi paistaa tai paahtaa ainoastaan yhdellä tasolla. Ylä- ja alalämpövastus säteilevät lämpöä tasaisesti koko uuniin, Suositeltu lämpötila: 200 °C.

Grilli



Käytä tätä uunin tilaa grillataksesi pieniä määriä lämpimiä voileipiä tai makkaraa tai paahtaaksesi leipää. Vain grillivastus toimii tätä tilaa käytettäessä. Suositeltu lämpötila: 230 °C.

Suuri grilli



Käytä tätä uunin tilaa grillataksesi pieniä määriä lämpimiä voileipiä, makkaraa tai lihaa tai paahtaaksesi leipää. Sekä grillivastus että ylälämpövastus ovat toiminnassa tätä tilaa käytettäessä. Suositeltu lämpötila: 230 °C.

WaterClean



Käytä tätä tilaa tahrojen ja ruokajäänteiden poistamiseen uunista. Vain alalämpövastus säteilee lämpöä. Ohjelma kestää 30 minuuttia. Suositeltu lämpötila: 70 °C.

Pizza



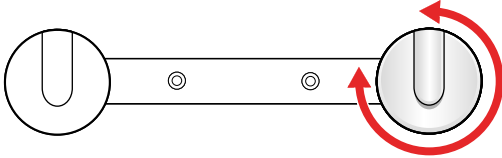
Pizzatoiminto käyttää korkeaa lämpötilaa, joka paistaa pizzan erittäin nopeasti niin, että pohja pysyy mehukkaana. Käytä uunin tätä tilaa täydellisen pizzan valmistamiseen. Suositeltu lämpötila: 190 °C - 200 °C.

Kytke virta uuniin ja sammuta se

1. Kytke virta uuniin kääntämällä uunin tilan valitsin mihin tahansa kypsennystilaan.
2. Sammuta uuni kääntämällä uunin tilan valitsin asentoon **0**.

Muuta uunin lämpötilaa

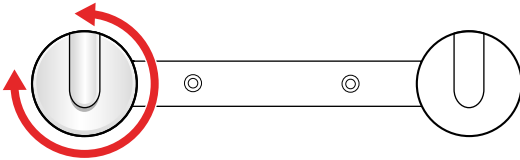
Valitse kypsennettävälle ruoalle sopiva lämpötila.



1. Nosta lämpötilaa kääntämällä lämpötilan valitsinta myötäpäivään tai alenna lämpötilaa kääntämällä sitä vastapäivään.
OLE VAROVAINEN! Älä käännä valitsinta nollakohdan alapuolelle. Tämä voi vahingoittaa termostaattia.
Lämpötila-alue on 50 - 275 °C.

Vaihda uunin kypsennystilaa

Valitse kypsennettävälle ruoalle sopiva kypsennystila.



1. Vaihda käytettävissä olevien tilojen välillä kääntämällä kypsennystilan valitsinta myötä- tai vastapäivään.



Kypsennystilaa voi vaihtaa myös kypsennyksen aikana.

Uunin kypsennystilan ohje

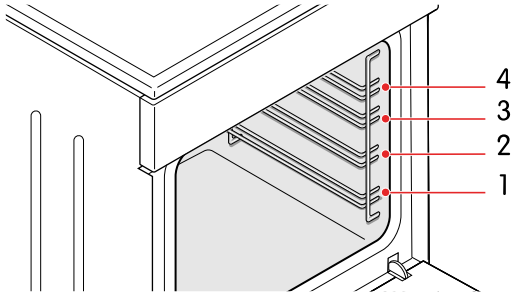
Löydä sopivin uunin kypsennystila tarpeisiisi seuraavan taulukon avulla.

Kypsennysmenetelmä	Ruoan tyyppi	Uunin kypsennystila
Paistaminen	Liha	
Grilli	Lämpimät voileivät, makkarat	
	Lämpimät voileivät, makkarat, liha	
Ruskea	Ruoan yläpinta	
	Ruoan alapinta	
Paistaminen	Leivonnaiset yhdellä tasolla	

Kypsennysmenetelmä	Ruoan tyyppi	Uunin kypsennystila
Paahto	Leipä	

Lankaohjaimet

Lankaohjainten avulla voit valita 4 tason välillä, kun laitat ritilän tai pellin uuniin. Tasot/ohjaimet lasketaan alhaalta ylös.



Uunia on turvallista käyttää sekä ohjainten kanssa että ilman niitä.



OLE VAROVAINEN!

Älä laita paistopeltejä tai muita keittoastioita uunin pohjalle.

Grillaussuosituksset

Käytä näitä suosituksia grillauksessa.



VAROITUS!

Käytä grilliä vain, kun uunin luukku on kiinni.



VAROITUS!

Käytä uunikintaita tai pihtejä. Grillivastus, ritilä ja muut uunin varusteet kuumenevat erittäin voimakkaasti grillauksen aikana.

- Esilämmitä grilliä noin 5 minuuttia ennen kuin käytät sitä.
- Tarkkaile ruokaa säännöllisesti. Ruoka voi palaa nopeasti korkean lämpötilan vuoksi.
- Voitele ritilä öljyllä lihan tarttumisen estämiseksi, kun grillaat suoraan sillä. Käytä 4. ohjainta.
- Laita rasvapeltti 1. tai 2. ohjaimen.
- Varmista, että pellillä on riittävästi nestettä, kun käytät paistopeltiä. Muussa tapauksessa ruoka voi palaa.
- Käännä liha.
- Puhdista uuni, tarvikkeet ja varusteet, kun grillaus on valmis.

Lihan paistosuosituksia

Käytä näitä suosituksia lihan paistamisessa.

- Käytä emaloitua tai karkaistusta lasista, savesta tai valuraudasta valmistettua pannua tai peltiä.



HUOMAA!

Älä käytä ruostumattomasta teräksestä valmistettuja peltejä. Ne heijastavat lämpöä voimakkaasti.

- Käytä ruoanlaitossa riittävästi nestettä, ettei liha pala.
- Peitä liha, että se pysyy mehukkaana.

Paistamissuosituksia

Käytä näitä suosituksia paistamisessa.

- Esilämmitys on suositeltavaa.
- Voit paistaa keksejä matalilla paistopelleillä useilla tasoilla (toinen ja kolmas) yhtä aikaa.



HUOMAA!

Ylemmällä pellillä olevat keksit voivat olla valmiita aiemmin kuin alemmalla olevat.

- Laita paistopellit aina ritilälle. Ota ritilä pois, jos käytät toimitettua paistopeltiä.



OLE VAROVAINEN!

Älä laita syvää paistoastiaa ensimmäiseen ohjaimeseen.

- Tee kekseistä yhtä paksuja, että ne ruskistuvat tasaisesti.
- Paistovälineiden muoto voi muuttua, kun ne kuumentuvat. Tämä ei vaikuta niiden toimintaan, ja ne palaavat alkuperäiseen muotoonsa jäähtyessään.

PUHDISTUS

Puhdista laitteesi säännöllisesti, että se kestää pidempään ja pysyy hyvännäköisenä.

**VAROITUS!**

Älä anna lasten puhdistaa tuotetta ilman valvontaa.

**VAROITUS!**

Sähköiskun vaara!

- Irrota laite verkkovirrasta ennen puhdistamista.
- Älä käytä höyry- tai korkeapainepuhdistimia laitteen puhdistamiseen, sillä tämän seurauksena voi olla sähköisku.

**OLE VAROVAINEN!**

Anna aina laitteen jäähtyä ennen puhdistamista.

Puhdista keittoalueen pinta

Puhdista keittoalueen lasikeraaminen pinta aina oikein varmistaaksesi pitkään kestäväen toiminnan ja ulkonäön.

**OLE VAROVAINEN!**

- Älä käytä teräsvillaa, karkeita puhdistussieniä tai hankaavaa jauhetta, sillä ne voivat naarmuttaa pintaa. Myös voimakkaat pesusuihkeet, karstanpoistoaineet ja muut sopimattomat nestemäiset puhdistusaineet voivat vahingoittaa pintaa.
- Puhdistuksen jälkeen poista kaikki puhdistusaineen jäämät pinnalta, sillä pinta voi vaurioitua, kun lämmität keittoalueet seuraavan kerran.

**OLE VAROVAINEN!**

Jos sokeria tai hyvin sokeripitoista ruokaa valuu pinnalle, kun se on kuuma, poista sokeri kuumalta pinnalta heti liinalla tai raaputtimella. Muussa tapauksessa pinta voi vaurioitua.

Älä koskaan käytä pesu- tai puhdistusaineita kuuman pinnan puhdistamiseen.

- Kun puhdistat liettä, käytä erikoistuotteita, joiden muodostama suojaava kalvo estää likaa tarttumasta pintaan.
- Poista pienet liat kostealla ja pehmeällä liinalla ja pyyhi pinta kuivaksi.
- Poista vesitahrat miedolla etikkaliuoksella. Älä käytä tätä liuosta kehykseen, sillä se saattaa menettää kiiltonsa.
- Jos lika on sitkeää, käytä erityisiä lasikeraamisen pinnan puhdistusaineita ja noudata valmistajan ohjeita. Jos mikään muu ei auta, poista itsepäinen lika raaputtimella. Pidä raaputinta oikeassa kulmassa (45 - 60°), paina raaputinta hellästi lasia vasten ja työnnä sitä lian irrottamiseksi.

Lasikeraamisen pinnan värjäytyminen johtuu yleensä ruoanjäämien palamisesta kiinni pintaan tai sopimattomasta materiaalista (kuten alumiinista tai kuparista) valmistettujen keittoastioiden käytöstä. Tällaisia värjäytymiä on erittäin vaikeaa poistaa kokonaan, mutta ne eivät vaikuta lieden toimintaan, joten ne eivät kuulu takuun piiriin.

Puhdista lasipinnat

Puhdista lasipinnat lasin, peilien ja ikkunoiden puhdistamiseen tarkoitetuilla varusteilla ja aineilla.

**OLE VAROVAINEN!**

Älä käytä hankaavia puhdistusaineita tai teräviä metalliraaputtimia, sillä ne voivat lohkaista pinnan ja aiheuttaa lasin rikkoutumisen.

Puhdista ruostumattomat teräspinnat

Puhdista ruostumattomat teräspinnat miedolla pesuaineella ja pehmeällä sienellä, joka ei naarmuta pintaa.

**OLE VAROVAINEN!**

Älä käytä hankaavia puhdistusaineita tai liuottimia sisältäviä puhdistusaineita, sillä ne voivat vahingoittaa pintaa.

Puhdista emalipinnat

Puhdista emalipinnat nihkeällä sienellä. Poista rasvatahrat lämpimällä vedellä ja emalipintojen erikoispesuaineella.

**OLE VAROVAINEN!**

Älä puhdista emalipintoja hankaavilla pesuaineilla tai työkaluille, sillä ne voivat aiheuttaa pysyviä vaurioita.

Puhdista muovisoat ja lakkapinnat.

Poista mahdolliset tahrat heti muoviosista ja lakkapinnoilta pehmeällä hankaamattomalla liinalla ja pienellä määrällä vettä. Voit käyttää myös muovi- ja lakkapinnoille tarkoitettuja pesuaineita ja puhdistustyökaluja. Noudata valmistajan ohjeita.

**OLE VAROVAINEN!**

Älä käytä hankaavia puhdistusaineita, hankaavia työkaluja tai alkoholipohjaisia puhdistusaineita.

Puhdista uuni

Puhdista uuni sisältä säännöllisesti.

**OLE VAROVAINEN!**

Älä nojaa uunin luukkuun, kun puhdistat uunia sisältä. Älä koskaan seiso uunin luukulla tai anna lasten istua sillä. Uunin luukun saranat voivat vaurioitua, jos niiden varassa on liian suuri kuorma.

**OLE VAROVAINEN!**

Älä käytä hankaavia aineita. Ne naarmuttavat emalipintoja.

- Puhdista uunin seinät nihkeällä sienellä ja puhdistusaineella. Käytä palaneisiin tahroihin emalipinnoille tarkoitettua erikoispuhdistusainetta.
- Pyyhi uuni huolellisesti kuivaksi puhdistuksen jälkeen.
- Puhdista lankaohjaimet ja teleskoopikiskot tavallisella puhdistusaineella.

**OLE VAROVAINEN!**

Älä puhdista teleskoopikiskoja astianpesukoneessa.


- Puhdista uunivarusteet sienellä ja puhdistusaineella. Voit käyttää itsepintaisiin tai palaneisiin tahroihin erikoispuhdistusaineita.

Käytä WaterClean-ohjelmaa

Käytä WaterClean-ohjelmaa poistaaksesi tahrat ja ruokajäämät helposti uunistasi.

**OLE VAROVAINEN!**

Varmista, että uuni on jäähtynyt, ennen kuin käynnistät WaterClean-ohjelman.

1. Käännä kypsennystilan valitsin asentoon .
2. Käännä lämpötilan valitsin 70 °C:seen.
3. Kaada 0,6 l vettä paistopellille ja laita se alaohjaimen.
4. Anna ohjelman käydä 30 minuuttia. Ruokajäämät pehmenevät.
5. Puhdista uunin emaliseinät nihkeällä liinalla.

VIANMÄÄRITYS

Voit ratkaista monia pieniä ongelmia vianmääritystiedoilla. Jos ongelma ei ratkea, älä yritä korjata laitetta muilla kuin tässä ohjekirjassa kuvatuilla tavoilla.

**VAROITUS!**

Sähköiskun vaara!

- Älä yritä tehdä mitään korjauksia itse. Laitteen muutokset ja ammattitaidottomat korjaukset voivat aiheuttaa henkilövahinkoja tai laitteen vaurioitumisen. Ne saavat myös takuun raukeamaan. Ota sen sijaan yhteyttä huoltoteknikkoon.
- Älä vaihda virtajohtoa itse. Jos virtajohto on vaurioitunut, valmistajan tai valtuutetun huoltoteknikon on vaihdettava se vaarojen välttämiseksi.

Kotisi pääsulake palaa usein

Kaikkien päälle kytkettyjen laitteiden teho ylittää kotisi sähköjärjestelmän kapasiteettia

Ota yhteyttä huoltoteknikkoon.

Uunin valo ei toimi

Uunin valo pitää vaihtaa

Katso kappale "Vaihda uunin valon lamppu", [sivu 203](#).

Ruoka ei kypsyy

Ongelmalla voi olla eri syyt. Ratkaise ohjelma noudattamalla ehdotetun syyn kohdalla olevia ohjeita.

Väärä lämpötila tai paistotila on valittu

Tarkista, että olet valinnut oikean lämpötilan ja kypsennystilan.

Uunin luukku on auki

Tarkista, että uunin luukku on kiinni.

Osien vaihtaminen

Vaihda uunin valon lamppu

Kun lamppu menee rikki, vaihda sen tilalle halogeenilamppu G9, 25 W.

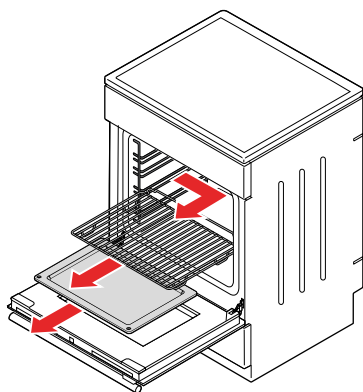
**VAROITUS!**

Sähköiskun vaara! Irrota laite aina verkkovirrasta ennen lampun vaihtamista.

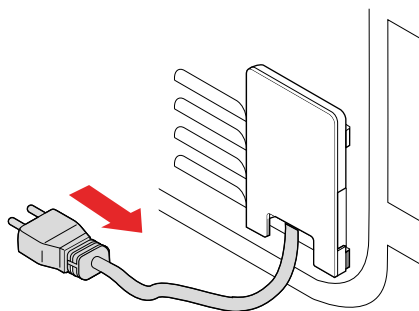
**HUOMAA!**

Lamppu ei kuulu takuun piiriin, koska se on kuluva osa.

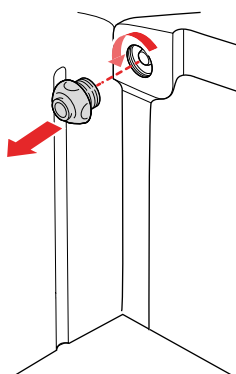
1. Ota ritilä, ohjaimet ja pellit pois.



2. Irrota liesi verkkovirrasta.

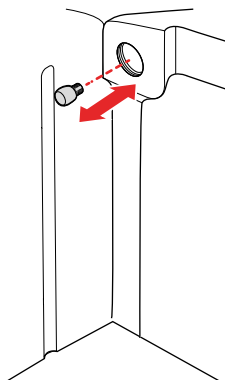
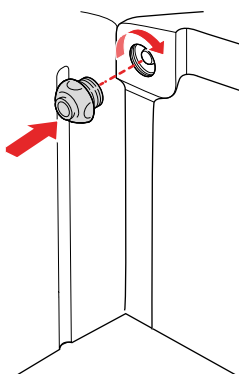
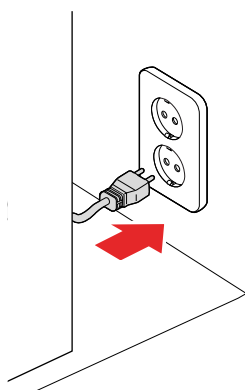


3. Irrota lampun kansi.



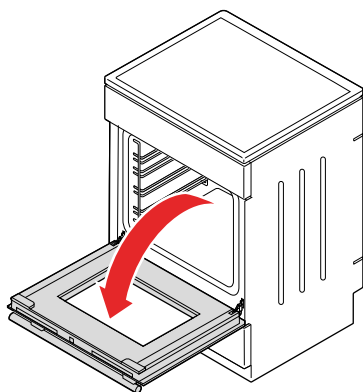
4. Vaihda lamppu.

**VAROITUS! Suojaa itsesi irrottaessasi vanhaa lamppua, ettet polta itseäsi.
OLE VAROVAINEN! Älä vahingoita emalipintaa.**

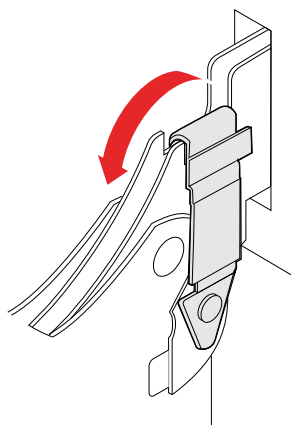
**5. Asenna kansi.****6. Kytke liesi verkkovirtaan.****Vaihda uunin luukku**

Irrota ja vaihda uunin luukku, jos se on rikki tai sinun tarvitsee vaihtaa uunin luukun lasipaneeli.

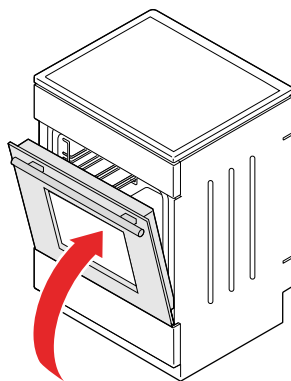
1. Avaa uunin luukku täysin auki.



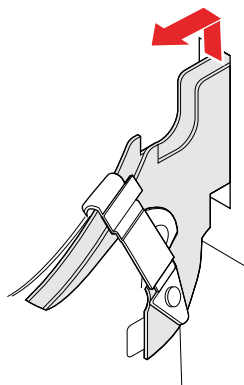
2. Nosta ja taita luukun saranoiden salvat.



3. Taita ovi varovasti noin 15° kulmaan.



4. Irrota luukku: vedä saranat ulos aukoista.



Asenna päinvastaisessa järjestyksessä.

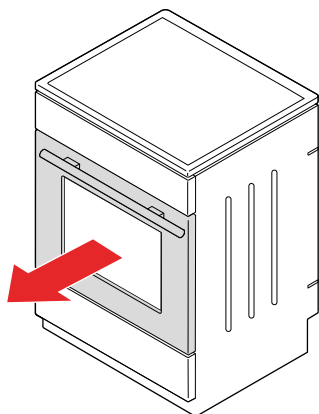
**OLE VAROVAINEN!**

Tarkista, että saranat ovat oikein koukuissaan. Muuten ovi ei välttämättä avaudu ja sulkeudu oikein.

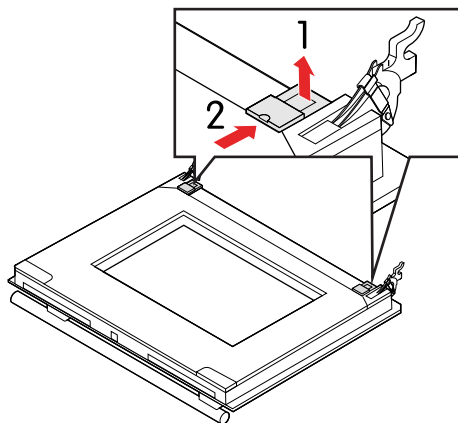
Irrota ja asenna uunin luukun lasipaneelit

Irrota uunin luukun lasipaneeli, jos se on rikkoutunut tai haluat puhdistaa sen.

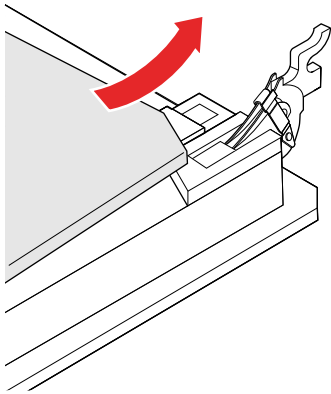
1. Irrota uunin luukku laitteesta.



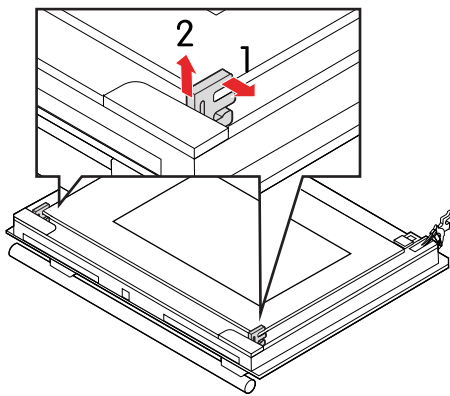
2. Nosta tukia hieman ja vedä lasi pois.



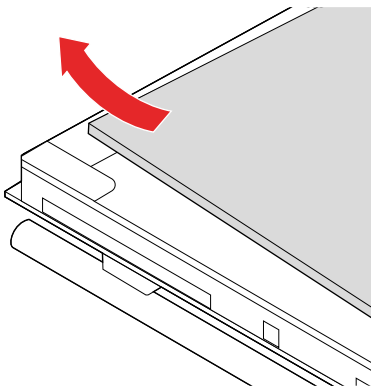
3. Nosta lasipaneelin alareunaa ja irrota se.



4. Käännä kumipidikkeitä hieman ja vedä ne pois jäljellä olevasta lasipaneelistä.



5. Nosta jäljellä olevan lasipaneelin yläreunaa ja irrota se.



Asenna päinvastaisessa järjestyksessä.



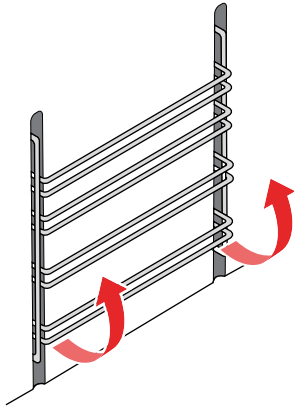
HUOMAA!

Luukun ja lasipaneelin merkintöjen (puoliympyrä) tulisi olla kohdakkain.

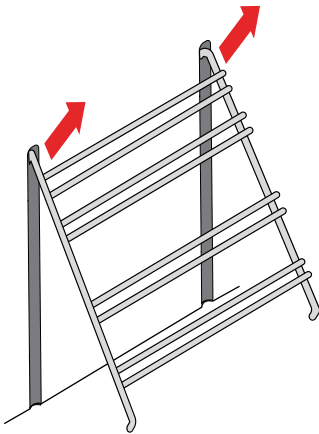
Irrota ja asenna lankaohjaimet

Irrota ja asenna lankaohjaimet tämän menettelyn mukaisesti.

1. Vedä ohjainten alareuna pois uunin seinästä.



2. Vedä ohjaimet pois yläreunan aukoista.



Asenna ohjaimet päinvastaisessa järjestyksessä.

Virtajohdon johdinten kytkennät

Jos virtajohto on vaurioitunut, se on vaihdettava välittömästi.



VAROITUS!

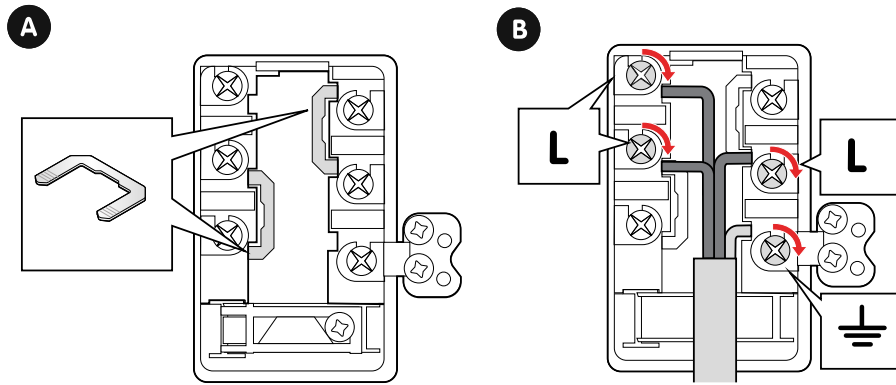
- Älä vaihda virtajohtoa itse. Jos virtajohto on vaurioitunut, valmistajan tai valtuutetun huoltoteknikon on vaihdettava se vaarojen välttämiseksi.
- Sähköasennuksessa tulee noudattaa paikallisia määräyksiä.
- Käytä 4x1,5 mm² johtoa, jonka luokitus on vähintään H05VV-F 4G1.5.



HUOMAA!

Takuu ei kata korjauksia tai takuuvaatimuksia, jotka johtuvat virheellisestä asennuksesta tai laitteen käytöstä.

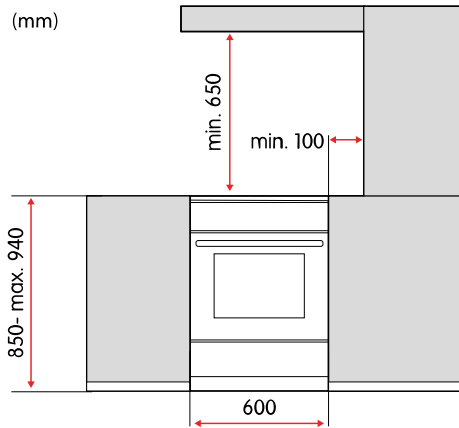
Seuraavassa kuvassa on esitetty virtajohdon johdinkytkennät, katso kohdasta A siltojen asennus ja kohdasta B kaapelin johdinten kytkentä.



ASENTAMINEN

Lieden sijoitus

Ota uunin sijoittamisessa huomioon tässä osiossa ilmoitetut mitat ja muut tekijät.



VAROITUS!

Tulipalovaara!

- Varmista, että lattia ja viereiset seinät kestävät vähintään 90 °C:n lämpötilan.
- Älä asenna uunia koristeoven taakse, sillä se voi ylikuumentua.



VAROITUS!

Uuni on tarkoitettu sijoitettavaksi suoraan lattialle ilman mitään tukia tai sokkeleita.



OLE VAROVAINEN!

Älä asenna uunia voimakkaiden lämmönlähteiden, kuten kiinteällä polttoaineella toimivien uunien, lähelle, sillä korkea lämpötila voi vahingoittaa uunia.

Kiinnitä liesi seinään.

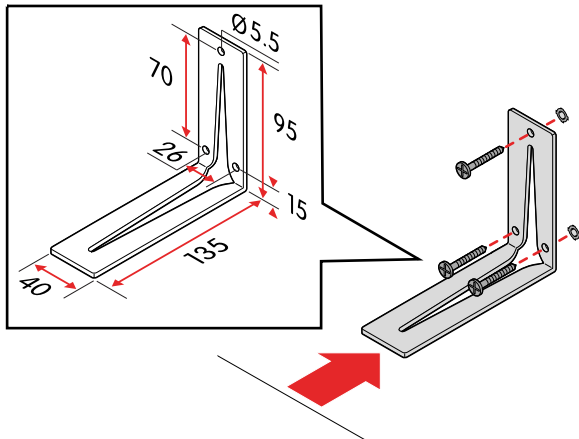
Lieden kiinnittäminen seinään estää sitä kaatumasta.



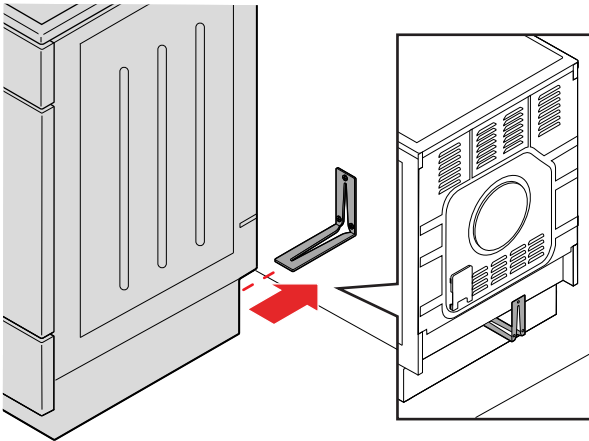
VAROITUS!

Kaatumisriski! Kaatumisen estämiseksi on asennettava kiinnikkeet.

1. Kiinnitä kiinnike seinään toimitetuilla ruuveilla ja ankkureilla.
VAROITUS! Jos toimitetut ruuvit tai ankkurit eivät ole seinään sopivia, käytä sellaisia, jotka varmistavat lujan kiinnityksen seinään.



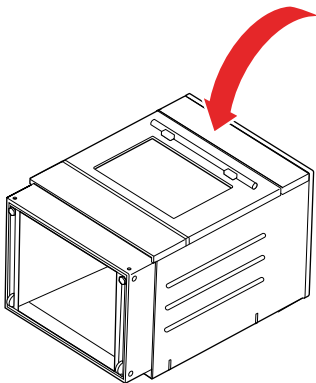
2. Laita liesi kiinnikkeeseen ja kiinnitä.

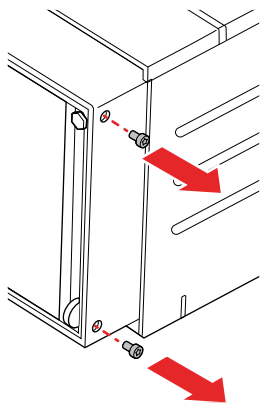
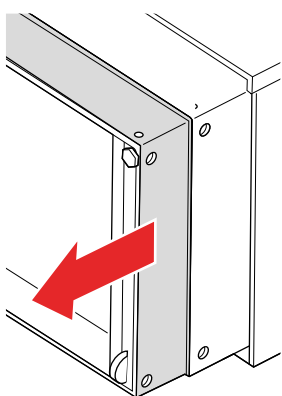
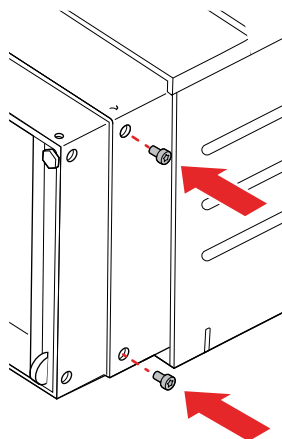


Säädä liedon korkeus

Voit säätää liedon korkeutta välillä 850 - 940 mm.

1. Aseta liesi lattialle tausta alaspäin.



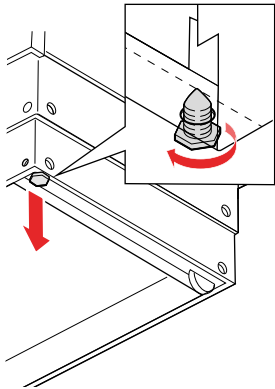
2. Avaa ruuvit.**3. Säädä korkeus.****4. Ruuvaa ruuvit takaisin sisään.****Suorista liesi**

Suorista lietesäätämällä etujalkojen ja takajalkojen korkeutta erikseen.

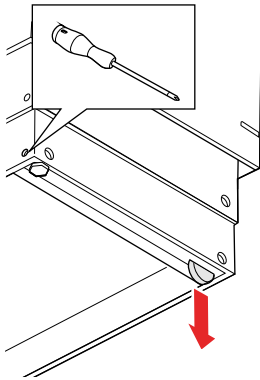
**VAROITUS!**

Liesi on asennettava vaakatasossa suoraan.

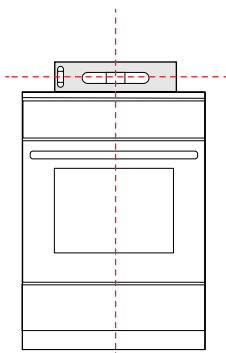
1. Säädä korkeutta kääntämällä etujalkoja.



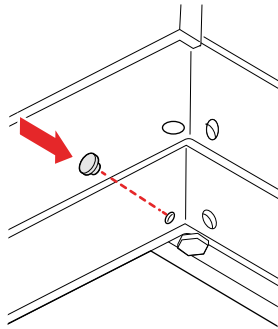
2. Säädä takajalkojen korkeutta kääntämällä pyörän säätöruuveja.



3. Tarkista vaakasuoruus laittamalla vesivaaka liedon päälle. Säädä tarvittaessa.



4. Laita suojatulpat reikiin.



Kytke verkkovirta

Liedessä on valmiiksi kiinnitetty virtajohto, joka on valmis kytkettäväksi 400 V:n, 50 Hz pistorasiaan.



VAROITUS!

Jos tuote liitetään kiinteään sähköliitännään:

- Älä liitä laitetta verkkovirtaan itse. Vain valtuutettu asentaja saa kytkeä tämän laitteen.
- Käytä liittämiseen 4x1,5 mm² johtoa, jonka luokitus on vähintään H05VV-F 4G1.5.



VAROITUS!

- Sähköasennuksessa tulee noudattaa paikallisia määräyksiä.
- Älä käytä laitteen ohjaamiseen ulkoisia ajastimia tai erillisiä kauko-ohjausjärjestelmiä.



OLE VAROVAINEN!

Lue käyttöohjeet huolellisesti ennen laitteen liittämistä. Takuu ei kata korjauksia tai takuuvaatimuksia, jotka johtuvat virheellisestä asennuksesta tai laitteen käytöstä.

1. Kytke pistoke 400 V, 50 Hz pistorasiaan.

LIITE

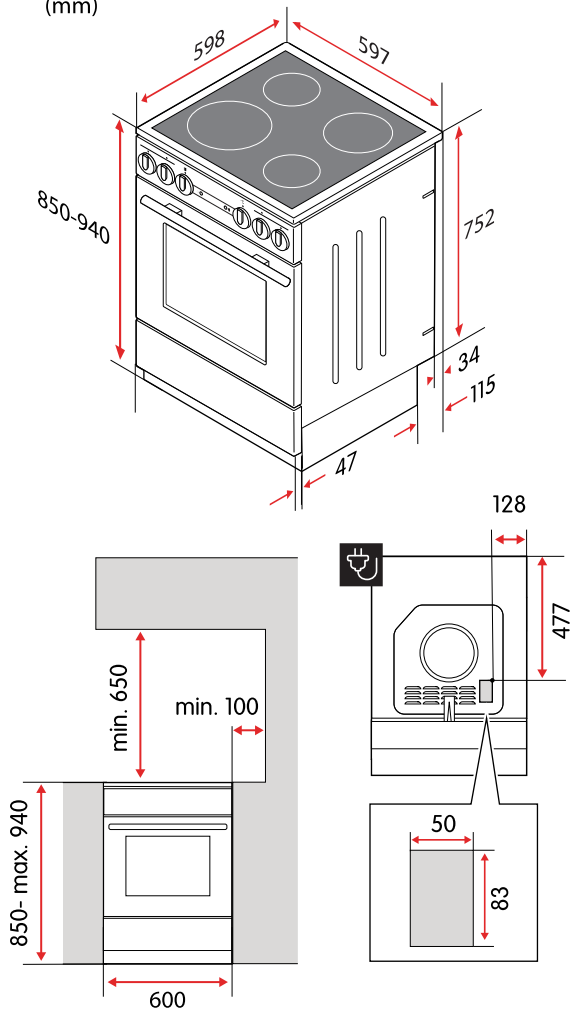
Tekniset tiedot

Tuotekoodi	CCS46401VN-E2
Korkeus	85-94 cm
Leveys	59,7 cm
Syvyys	59,8 cm
Paino	46,8 kg
Uunin sisätilavuus	74 l
Virtalähde	380 - 415 V 3~, 50 Hz
Sähköliitäntä	9 300 W

Keittoalue	Halkaisija	Teho
Etuvasen	21 cm	2,3 kW
Takavasen	14,5 cm	1,2 kW
Takaoikea	18 cm	1,8 kW
Etuoikea	14,5 cm	1,2 kW

Mitat

(mm)



EU-direktiivit ja -standardit

Tämä tuote täyttää soveltuvat EU-direktiivit ja -määräykset, ja se on CE-merkitty. Jos EU-vaatimustenmukaisuusvakuutusta ei ole toimitettu laitteen mukana, se on saatavilla pyynnöstä.

Tämän tuotteen toiminta on testattu standardin EN 60350-1 mukaisesti.

Efnisyfirlit

ÖRYGGI	221
Viðvaranir	221
Ætluð notkun	221
Öryggi fyrir börn og fólk með fötlun	221
Almennt öryggi.....	222
Öryggi við uppsetningu.....	222
Öryggi við notkun.....	223
Öryggi við viðhald	224
Öryggismerkingar	225
Förgun	225
FLÝTIBYRJUN	226
Flýtiræsing ofns	226
Flýtiræsing helluborðs	227
HEFJAST HANDA	228
Áður en eldavélin er notuð	228
Yfirlit yfir helluborðið	228
Stýringar eldavélar	228
Opnið barnalæsinguna.....	228
Kveikt og slökkt á barnalæsingunni á hitastigsveljaranum.....	229
Aukahlutir.....	230
ELDAÐ Á HELLUBORÐINU	231
Yfirborð helluborðs.....	231
Viðeigandi eldunaráhöld	231
Kveikt og slökkt á eldunarsvæðunum	231
Sparið orku.....	231
Afgangshitavísir.....	232
ELDAÐ MEÐ OFNINUM	233
Eldunarstillingar.....	233
Botnhitari.....	233
Topp- og botnhitari.....	233
Grill	233
Mikið grill.....	233
Vatnshreinsun.....	233
Pítsa.....	233
Kveikt og slökkt á ofninum.....	234
Change oven temperature.....	234
Breyta eldunarstillingu ofns	234
Leiðbeiningar fyrir eldunarstillingu ofns.....	234
Vírbrautir	235
Ráðleggingar fyrir grillun	235

Ráðleggingar fyrir steikingu	235
Ráðleggingar fyrir bakstur	236
HREINSUN	237
Yfirborð helluborðs hreinsað	237
Gleryfirborð hreinsuð	237
Hreinsun yfirborða úr ryðfríu stáli	237
Hreinsun glerungsyfirborða	238
Hreinsun plasthluta og lakkhúðaðra yfirborða	238
Hreinsun ofnsins	238
Notið vatnshreinsunarkerfið	238
BILANAGREINING	239
Aðalöryggi heimilisins slær oft út	239
Ofnlýsingin virkar ekki	239
Maturinn er of lítið eldaður	239
Varahlutir	239
Skipt um peru í ofnljósi	239
Skipt um ofnhurð	241
Rúðuflötur ofnhurðar fjarlægður og settur í	243
Vírbrautir fjarlægðar og settar í	244
Rafmagnssnúrutengingar	245
UPPSETNING	247
Staðsetning eldavélar	247
Festið eldavélina við vegg	247
Hæð eldavélar stillt	248
Eldavél hallastillt	249
Tengið við rafveitu	251
VIÐAUKI	252
Tæknilýsingar	252
Stærðir	253
ESB tilskipanir og staðlar	253

ÖRYGGI

Lesið þessar leiðbeiningar vandlega áður tækið er sett upp og notað. Geymið leiðbeiningarnar nálægt tækinu til síðari nota. Margskonar ábyrgðir munu falla úr gildi ef þessum leiðbeiningum er ekki fylgt.

Viðvaranir



VIÐVÖRUN!

Notaðar þegar hættu er á líkamstjóni.



VARÚÐ!

Notaðar þegar hættu er á því að varan verði fyrir tjóni.



ATHUGAÐU!

Almennar upplýsingar sem þú ættir að vita um.



Hjálpleg ráð sem þér kunna að þykja gagnleg.

Ætluð notkun

Þetta tæki er ætlað

- til notkunar í heimilisumhverfi.
- til að hita og elda ýmis konar matvæli.
- til að setja beint á gólfíð, án neinna stoða eða sökkuls.

Þetta tæki er ekki ætlað

- fyrir neinn annan tilgang en eldun, til dæmis herbergishitun eða svipaðan tilgang.
- til að vera sett upp sem innbyggð eining.
- til notkunar utandyra.
- til að vera stýrt af ytri tímastillum eða aðskildum stjórnbúnaði.

Öryggi fyrir börn og fólk með fötlun



VIÐVÖRUN!

Látið eftirfarandi hópa aðeins nota vöruna undir eftirliti eða ef þeim hafa verið veittar leiðbeiningar um örugga notkun þess. Þau verða að skilja hættunarnar sem eru til staðar.

- Börn 8 ára og eldri. (Börn undir 8 ára verða að vera undir stöðugu eftirliti, eða haldið fjarri vörunni.)
- Fólk með minnkaða líkamlega, skynjunarlega eða andlega getu.
- Fólk sem skortir reynslu og þekkingu.



VIÐVÖRUN!

- Leyfið börnum ekki að leika sér með tækið.
- Leyfið börnum ekki að þrifa tækið án eftirlits.



VIÐVÖRUN!

Notið aðeins helluborðshlífar hannaðar eða meðmæltar af framleiðandanum. Notkun óviðeigandi helluborðshlífa getur leitt til slysa.

Almennt öryggi



VIÐVÖRUN!

Hætta á eldsvoða!

- Geymið ekki hluti á eldunaryfirborðinu.
- Geymið ekki eldfima, sprengifima, rokgjarna eða hluti sem eru viðkvæmir fyrir hita (eins og pappír, viskastykki, plastpoka, hreinsiefni eða ræstiefni og úðabrusa) í geymsluskúffu ofnsins, þar sem kviknað getur í þeim þegar ofninn er í notkun og það valdið eldsvoða. Eftirlitslaus eldun á helluborði með fitu eða olíu getur leitt til eldsvoða.
- Reynið aldrei að slökkva eld með vatni. Slökkvið frekar á tækinu og hyljið logana með, til dæmis, loki eða eldvarnarteppi.



VIÐVÖRUN!

Hætta á rafstuði!

- Ef sprungur eru á eldunaryfirborðinu slökkvið þá tafarlaust á tækinu og aftengið það frá rafveitu. Ekki nota eða snerta tækið.
- Haldið rafmagnssnúrum annarra tækja í öruggri fjarlægð svo þær klemmist ekki í ofnhurðinni, þar sem snúurnar gætu skemmst og valdið skammhlaupi.

Öryggi við uppsetningu



VIÐVÖRUN!

Hætta á eldsvoða!

- Gangið úr skugga um að gólfíð og aðliggjandi veggir séu hitapolin upp að a.m.k. 90 °C.
- Setjið tækið ekki upp fyrir aftan skrauthurð þar sem hún gæti ofhitnað.



VIÐVÖRUN!

Gangið úr skugga um að allar leifar umbúða hafi verið fjarlægðar úr eldunarrýminu.



VIÐVÖRUN!

- Ætlast er til að tækið sé sett beint á gólfíð, án neinna stoða eða sökkuls.
- Ef skrúfurnar sem fylgja með henta ekki fyrir vegginn verið þá viss um að nota skrúfur sem tryggja örugga uppsetningu á vegginn.
- Setja verður eldavélina upp þannig að hún sé lárétt hallastillt.



VIÐVÖRUN!

Hætta á rafstuði! Tengjið ekki tækið við rafveitu sjálf. Aðeins viðurkenndur tæknimaður má tengja tækið.



VIÐVÖRUN!

- Rafmagnsuppsetningin verður að fylgja staðbundnum reglum.
- Gangið úr skugga um að varnarjarðleiðarinn sé rétt festur þegar tengt er við raftengingu.
- Fyrir einfasa raftengingu skal nota 3×4,0 mm² snúru merkta H05VV-F 3G4 eða betri.
- Fyrir þriggja fasa raftengingu skal nota 5×1,5 mm² snúru merkta H05VV-F 5G1.5 eða betri.
- Notið ekki ytri tímastilla eða aðskilinn fjarstýribúnað til að stjórna tækinu.



VARÚÐ!

Setjið tækið ekki upp nálægt öflugum hitagjöfum, eins og eldavélum með föstu eldsneyti, þar sem hátt hitastigið gæti skemmt tækið.



VARÚÐ!

Lesið notkunarleiðbeiningarnar vandlega áður en tækið er tengt við raftenginguna. Ábyrgðin nær ekki yfir viðgerð né neinar ábyrgðarkröfur vegna rangrar tengingar eða notkunar tækisins.

Öryggi við notkun



VIÐVÖRUN!

Hafið stöðugt eftirlit með eldunarferlinu.



VIÐVÖRUN!

Ef yfirborð helluborðsins brotnar skal tafarlaust affengja tækið frá rafveitu. Notið tækið ekki.



VIÐVÖRUN!

Hætta á eldsvoða! Verið viss um að loftop séu aldrei hulin eða hindruð á neinn hátt.



VIÐVÖRUN!

Hætta er á að brennast af afgangshita. Eldunarsvæðið er óbeint hitað með hituðu eldunaráhöldunum og helst heitt um stund jafnvel effir að slökkt er á því.



VIÐVÖRUN!

Hætta á brunasárum!

- Eldunaráhöld og aðgengilegir hlutar tækisins geta orðið mjög heit við notkun. Gætið að því að snerta ekki heita hluta.
- Ofnhurðin gæti orðið mjög heit við notkun.
- Setjið ekki málmhluti eins og hnifa, gaffla, skeiðar eða lok á eldunarsvæðið þar sem þessi hlutir geta orðið mjög heitir.



VIÐVÖRUN!

- Notið grillið einungis með ofnhurðina lokaða.
- Notið ofnhanska eða kjöttengur. Grillhitarinn, grindin og aðrir aukahlutir ofns geta orðið mjög heit við grillun.



VARÚÐ!

- Yfirborðið hefur mikið þol gagnvart hitabreytingum en getur skemmst vegna þungra hluta sem falla á það. Yfirborðið gæti brotnað strax eða nokkra stund effir að eitthvað hefur rekist í það.
- Gangið úr skugga um að eldunarsvæðið og botn eldunaráhaldsins séu hrein og þurr fyrir betri árangur og til að hindra skemmdir á yfirborði.
- Ef sykur, eða matur með mikið sykurrinnihald, dreifist á yfirborðið þegar það er heitt - skal tafarlaust nota þurrku eða sköfu til að fjarlægja sykurrinn af heitu yfirborðinu. Annars gæti yfirborðið skemmst.
- Notið aldrei ræstiefni eða önnur hreinsiefni til að hreinsa heitt yfirborð.
- Notið helluborðið ekki sem geymslusvæði þar sem það gæti leitt til þess að það rispist eða skemmist.



VARÚÐ!

Snúið ekki hitastigsveljaranum niður fyrir núllstöðuna þegar ofnhitastiginu er breytt. Þetta getur skemmt hitastillinn.



VARÚÐ!

- Gangið úr skugga um að botn eldunaráhaldsins passi við þvermál eldunarsvæðisins. Ef eldunaráhaldið er of lítið tapast hluti varmans og eldunarsvæðið gæti skemmst.
- Klæðið ekki ofnveggina með álþynnu. Álþynna hindrar hringrás lofts í ofninum, hindrar eldunarferlið og eyðileggur glerungshúðunina.
- Setjið ekki ofnskúffur eða önnur eldunaráhöld á botn ofnsins.
- Setjið ekki djúpu ofnskúffuna í fyrstu brautina.

Öryggi við viðhald



VIÐVÖRUN!

Hætta á rafstuði!

- Reynið ekki að framkvæma neinar viðgerðir sjálf. Sé átt við tækið eða gert við það af öðrum en fagmanni getur það valdið meiðslum eða skemmdum á tækinu. Það ógildir einnig ábyrgðina. Hafið þess í stað samband við tæknimann.
- Skiptið ekki sjálf um rafmagnssnúru. Ef rafmagnssnúran er skemmd verður framleiðandi eða viðurkenndur tæknimaður að skipta um hana til að forðast hættu.



VIÐVÖRUN!

Hætta á rafstuði! Áður en skipt er um ljósaperu skal alltaf aftengja tækið frá rafveitu.



VIÐVÖRUN!

Notið hlífðarhanska þegar gömul pera er fjarlægð til að forðast að brennast.



VIÐVÖRUN!

Leyfið börnum ekki að þrifa tækið án effirlits.



VIÐVÖRUN!

Hætta á rafstuði!

- Fyrir hreinsun skal aftengja tækið frá rafveitu.
- Notið ekki gufuhreinsa eða háþrýstíþvott til að hreinsa tækið þar sem slíkt gæti leitt til raflosts.



VIÐVÖRUN!

Gangið úr skugga um að klinkurnar í lómunum séu rétt staðsettar á hliðarlistum hurðarinnar áður en hún er sett í. Þetta kemur í veg fyrir að lamirnar lokist skyndilega, sem getur valdið meiðslum eða skemmt hurðina.



VARÚÐ!

- Bíðið alltaf eftir því að tækið kólni áður en hreinsað er.
- Gangið úr skugga um að ofninn hafi kólnað niður áður en vatnshreinsunarkerfið er ræst.



VARÚÐ!

- Notið ekki stálull, grófgerða hreinsisvampa eða svarfandi duft þar sem þau geta rispað yfirborðið. Ágeng úðahreinsiefni, ryðhreinsunarefni og önnur óviðeigandi hreinsiefni á vökvaformi geta einnig skemmt yfirborðið.
- Notið ekki gróf svarfandi hreinsiefni eða beittar málmköfufur þegar gleryfirborð eru hreinsuð, þar sem þau gætu gert sprungur í yfirborðið og valdið því að glerið brotni.
- Notið ekki svarfandi hreinsiefni eða hreinsiefni sem innihalda leysiefni þegar hreinsuð eru yfirborð úr ryðfríu stáli, þar sem þau geta skemmt yfirborðið.
- Notið ekki svarfandi hreinsiefni eða áhöld þegar glerungsyfirborð eru hreinsuð, þar sem þau geta valdið varanlegum skemmdum.
- Notið ekki svarfandi hreinsiefni, svarfandi áhöld eða hreinsiefni gerð úr alkóhóli þegar hreinsaðir eru plasthlutar og lakkhúðuð yfirborð.
- Eftir hreinsun skal tryggja að allar hreinsiefnaleifar séu vandlega fjarlægðar af yfirborðinu þar sem þær gætu skemmt yfirborðið þegar eldunarsvæðið er hitað næst.



VARÚÐ!

- Ef sykur, eða matur með mikið sykurnnihald, dreifist á yfirborðið þegar það er heitt - skal tafarlaust nota þurrku eða sköfu til að fjarlægja sykurrinn af heitu yfirborðinu. Annars gæti yfirborðið skemmt.
- Notið aldrei ræstiefni eða önnur hreinsiefni til að hreinsa heitt yfirborð.



VARÚÐ!

Hallið ykkur ekki upp að opinni hurðinni þegar ofnrýmið er hreinsað. Standið aldrei á opinni ofnhurð og látið ekki börn sitja á henni. Hurðarlamirnar gætu skemmt við óhóflegt álag.

**VARÚÐ!**

Hreinsið ekki sundurdraganlegu brautirnar í uppþvottavél.

**VARÚÐ!**

Skemmið ekki glerungsyfirborðið meðan skipt er um ljósaperu.

Öryggismerkingar

Þessar öryggismerkingar má finna á tækinu.



Varúð! Hætta á að tækið geti oltið.



Viðvörðun! Gera þarf ráðstafanir fyrir stöðugleika til að hindra að tækið geti oltið.

Förgun



Fargið umbúðum á umhverfisvænan hátt. Með því setja umbúðir í endurvinnslu, samkvæmt reglum lands og staðar er hægt að draga úr notkun hráefna og magni úrgangs í landfyllingum.

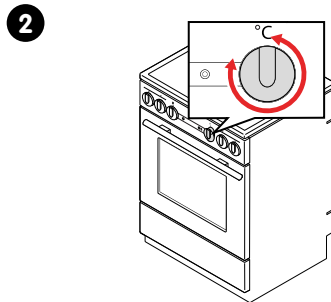
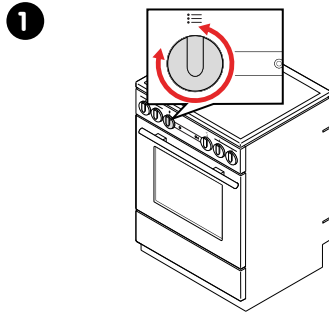
Þetta tæki er merkt í samræmi við Evróputilskipun 2012/19/ESB, rafmagns- og rafeindatækjaúrgangur (WEEE). Táknið á tækinu eða á umbúðum þess gefur til kynna að ekki skuli meðhöndla það sem heimilisúrgang. Í staðinn skal afhenda það til viðeigandi söfnunarstöðvar fyrir endurvinnslu rafmagns- og rafeindatækjaúrgangs.

Með því að tryggja rétta förgun tækisins hjálpar þú við að koma í veg fyrir mögulega neikvæðar afleiðingar fyrir umhverfið og heilsu manna, sem að öðrum kosti gætu orðið vegna óviðeigandi meðhöndlunar úrgangs vegna þessa tækis. Til að fá nánari upplýsingar um endurvinnslu þessa tækis skaltu hafa samband við viðkomandi bæjaryfirvöld sem sjá um sorphirðu, heimilissorppjónustu eða verslunina þar sem þú keyptir tækið.

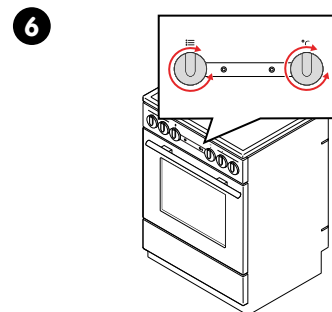
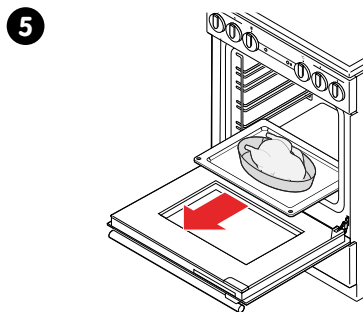
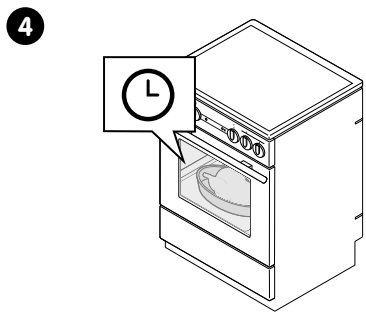
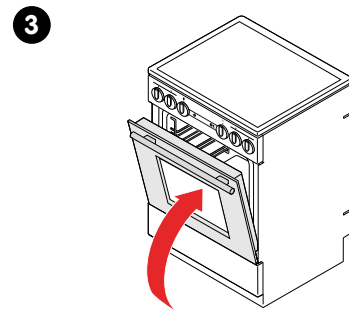
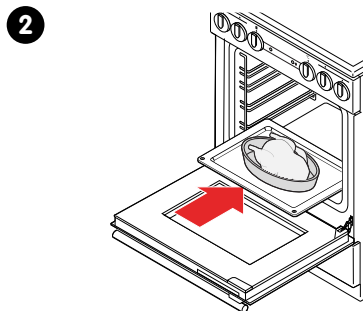
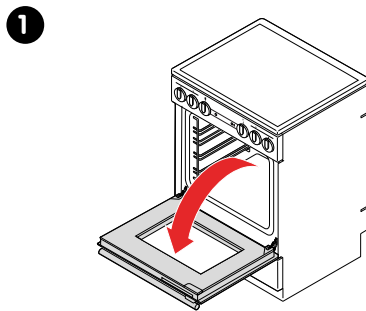
FLÝTIBYRJUN

Flýtiræsing ofns

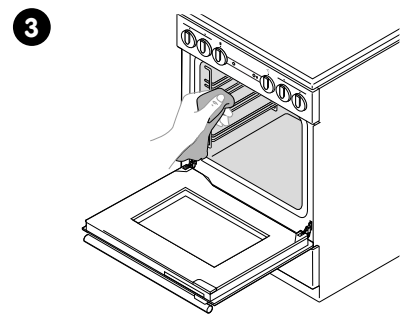
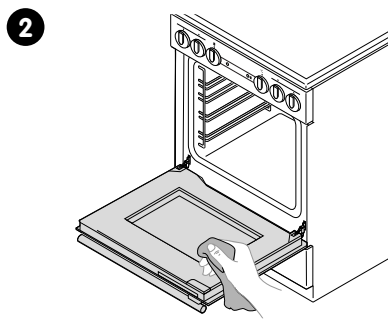
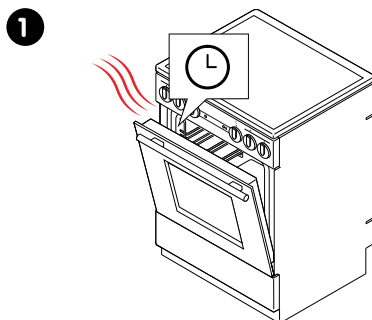
Veldu eldunarstillingu og hitastig



Eldun

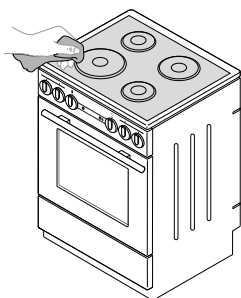


Eftir eldun

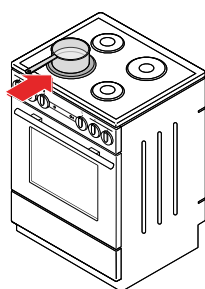
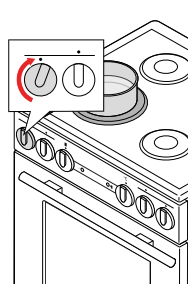
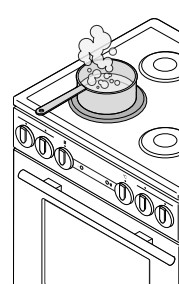
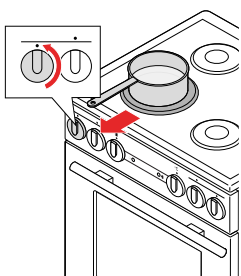


Flýtiræsing helluborðs

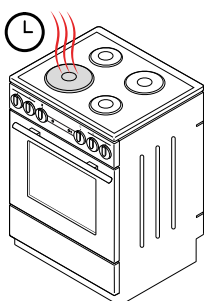
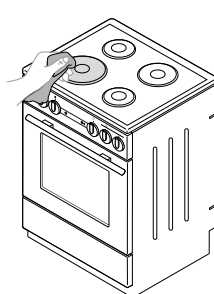
Fyrir eldun

1

Eldun

1**2****3****4**

Eftir eldun

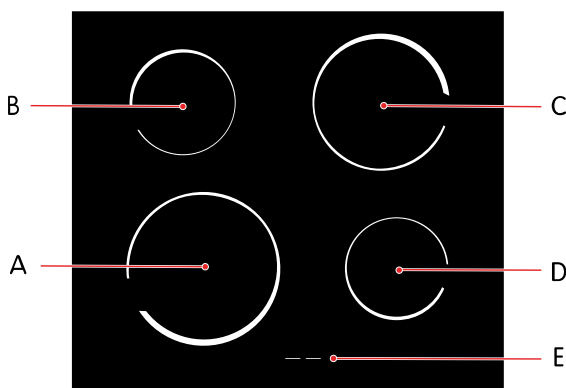
1**2**

HEFJAST HANDA

Áður en eldavélin er notuð

1. Fjarlægjið allar flutningsumbúðir og -búnað frá eldavélinni.
2. Hreinsið alla aukahluti og áhöld með heitu vatni og venjulegu hreinsiefni. Notið ekki nein svarfandi hreinsiefni.
3. Hreinsið keramikgleryfirborð helluborðsins með rökum klút og smávegis uppþvottalegi. Notið ekki ágeng hreinsiefni, eins og svarfandi hreinsiefni sem geta valdið rispum, svarfandi uppþvottasvampa, eða blettahreinsa.
4. Hitið ofninn án matar upp í 275 °C í 60 mínútur. Loftræstið herbergið meðan eldavélin er að losa sig við hina dæmigerðu lykt af nýju tæki.
VIÐVÖRUN! Gangið úr skugga um að allar leifar umbúða hafi verið fjarlægðar úr eldunarrýminu.

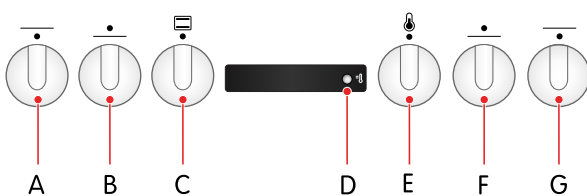
Yfirlit yfir helluborðið



- A. Eldunarsvæði vinstra megin að framan
- B. Eldunarsvæði vinstra megin að aftan
- C. Eldunarsvæði hægra megin að aftan
- D. Eldunarsvæði hægra megin að framan
- E. Afgangshitavísir

Stýringar eldavélar

Snúið veljurunum til að stjórna eldavélinni.



- A. Orkuveljari eldunarsvæðis vinstra megin að framan
- B. Orkuveljari eldunarsvæðis vinstra megin að aftan
- C. Veljari fyrir eldunarstillingu ofns
- D. Gaumljós hitastigs (rautt)
- E. Veljari ofnhitastigs
- F. Orkuveljari eldunarsvæðis hægra megin að aftan
- G. Orkuveljari eldunarsvæðis hægra megin að framan

Ljós

Það kviknar á gaumljósi hitastigs þegar ofninn hitnar og slokknar á því þegar ofninn hefur náð völdu hitastigi.

Opnið barnalæsinguna

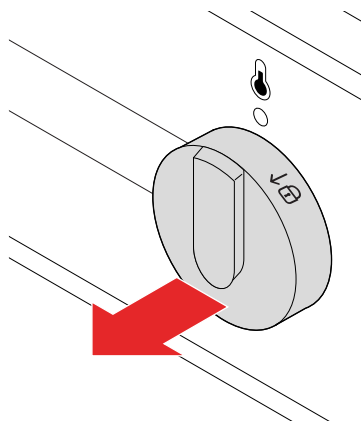
Ofnhurðin læsist sjálfkrafa þegar henni er lokað.

1. Ýtið barnalæsingunni laust til hægri með þumalfingrinum.
2. Togið í ofnhurðina meðan áfram er ýtt á barnalæsinguna.

Kveikt og slökkt á barnalæsingunni á hitastigsveljaranum

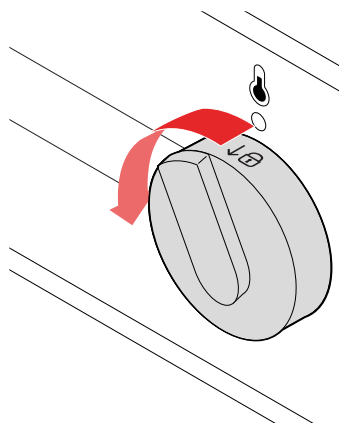
Kveikt á barnalæsingunni

1. Togið hitastigsveljarann út á við.



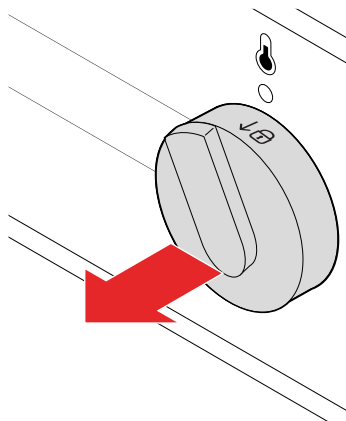
2. Snúið hitastigsveljaranum 15° til ↓⊕ og sleppið honum.

Veljarinn er nú læstur og ekki lengur hægt að kveikja á eldunarsvæðunum og ofninum, sem kemur í veg fyrir að börn kveiki óvart á þeim.

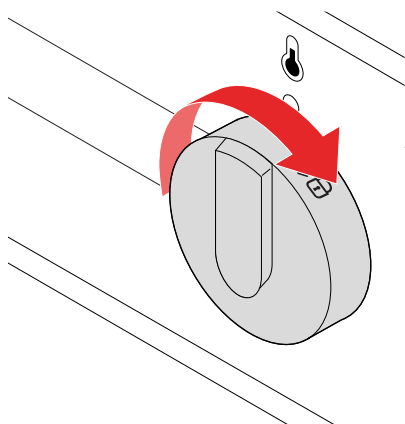


Slökkt á barnalæsingunni

1. Togið hitastigsveljarann út á við.

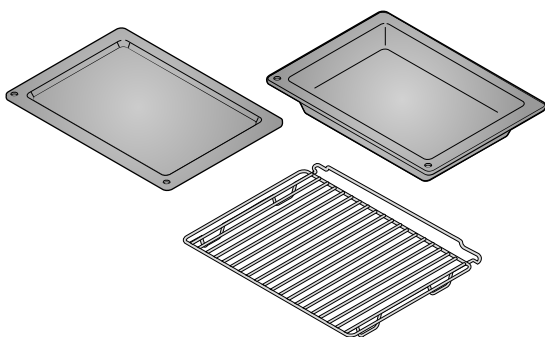


2. Snúið hitastigsveljaranum 15° réttsælis og sleppið honum. Veljarinn er nú ólæstur og hægt að kveikja á eldunarsvæðunum og ofninum.



Aukahlutir

Eldavélinni fylgja nokkrir gagnlegir aukahlutir til að bæta eldunarupplifunina.



Grunnar skúffur

Fyrir bakstur á bakkelsi eða sem dropaskúffa.

Sérstaklega djúp skúffa

Til að steikja mikið magn af grænmeti og kjöti eða til að varðveita mat.

Grind

Til að grilla kjöt eða fisk.

ELDAÐ Á HELLUBORÐINU

Yfirborð helluborðs

Yfirborð helluborðsins er gert úr gegnheilu keramikglerefni. Hér eru nokkur ráð um hvernig á að nota og viðhalda yfirborðinu.

- Yfirborðið hefur mikið þol gagnvart hitabreytingum en getur skemmst vegna þungra hluta sem falla á það. Yfirborðið gæti brotnað strax eða nokkra stund eftir að eitthvað hefur rekist í það.



VIÐVÖRUN!

Ef yfirborðið brotnar skal tafarlaust aftengja tækið frá rafveitu. Notið tækið ekki.

- Gangið úr skugga um að eldunarsvæðið og botn eldunaráhaldsins séu hrein og þurr fyrir betri árangur og til að hindra skemmdir á yfirborði.



VARÚÐ!

Ef sykur, eða matur með mikið sykurinnihald, dreifist á yfirborðið þegar það er heitt - skal tafarlaust nota þurrku eða sköfu til að fjarlægja sykurrinn af heitu yfirborðinu. Annars gæti yfirborðið skemmst.

Notið aldrei ræstiefni eða önnur hreinsiefni til að hreinsa heitt yfirborð.

- Notið helluborðið ekki sem geymslusvæði þar sem það gæti leitt til þess að það rispist eða skemmist.

Viðeigandi eldunaráhöld

Verið viss um að nota viðeigandi eldunaráhöld til að árangurinn verði sem bestur og til að koma í veg fyrir skemmdir.

- Notið gæða eldunaráhöld með flötum og stöðugum botni.
- Gangið úr skugga um að botn eldunaráhaldsins passi við þvermál eldunarsvæðisins.



Athugið við kaup á eldunaráhöldum að þvermálið sem gefið er upp á oftast við efri brún loksins, sem er venjulega stærra en þvermál botnsins.

- Eldunaráhöld sem gerð eru úr perlugleri, með sérstökum botngrunni er hægt að nota ef þvermál þeirra passar við eldunarsvæðið. Sprungur geta komið í eldunaráhöld með stærra þvermál vegna hitaspennu.

Kveikt og slökkt á eldunarsvæðunum

1. Snúið hnappinum til að kveikja á eldunarsvæðinu.

Hægt er að stilla hitaorkuna í skrefum frá 1 til 9.

Hiti eldunarsvæðis er aðlagður með því að kveikt er og slökkt á orkunni með millibili. Lengd millibilsins fer eftir stilltu orkustigi.

2. Slökkið á eldunarsvæðinu með því að snúa hnappinum til 0.

Sparið orku

Hér eru nokkur ráð um hvernig spara má orku.

- Gangið úr skugga um að botn eldunaráhaldsins passi við þvermál eldunarsvæðisins. Ef eldunaráhaldið er of lítið tapast hluti varmans og eldunarsvæðið gæti skemmst.
- Notið eldunaráhöld sem passa við það magn matar sem á að elda. Orkunotkun verður meiri ef notuð er stærra eldunaráhöld en þarf.
- Hyljið eldunaráhöldin með loki hvenær sem þess er kostur.
- Notið hraðsuðupott ef langan tíma þarf til að elda réttinn.
- Grænmeti, kartöflur o.s.frv. er hægt að elda með minna magni af vatni. Maturinn eldast jafn vel svo lengi sem lokið er haft þétt á eldunaráhaldinu. Þegar suðan kemur upp á vatninu skal minnka hitann á það stig sem rétt dugar til að það kraumi rólega.

Afgangshitavísir

Eldunarsvæðin haldast heit um stund jafnvel eftir að slökkt er á þeim. Heit eldunarsvæði eru gefin til kynna með afgangshitavísi. Það slokknar á vísinum þegar eldunarsvæðið hefur kólnað niður.

Það kviknar einnig á afgangshitavísinum ef heit eldunaráhöld eru sett á kalt eldunarsvæði.

**VIÐVÖRUN!**

Hætta er á að brennast af afgangshita.

ELDAÐ MEÐ OFNINUM

- Notið dökkliða, svartar kísilhúðaðar eða glerungshúðaðar ofnskúffur. Þær leiða varma betur.
- Með því að elda margar tegundir af bakkelsi hverja á effir annarri er hægt að spara orku þar sem ofninn er þegar heitur. Að hita ofn sem hefur kólnað niður notar meiri orku.
- Stundum getur myndast gufa innan á ofninum meðan eldað er. Gufan getur þétt á hurðinni og á loki eldunarílátsins. Þetta er eðlilegt og hefur ekki áhrif á virkni eldavélarinnar. Þurrkið allt rakapétta vatn af með klút.
- Ef rétturinn er skilin effir í ofninum effir að eldun lýkur getur gufu lagt af honum og þétt á framhliðinni og ofnhurðinni.



Hægt er að slökkva á ofninum um það bil 10 mínútum áður en eldunarferlinu lýkur. Þetta sparar orku þar sem notaður er sá hiti sem þegar hefur safnast upp.

Eldunarstillingar

Botnhitari



Notið þessa ofnstillingu til að brúna neðri hluta matar. Botnhitarinn geislar hita á neðri hlið matarins. Ráðlagt hitastig: 180 °C.

Topp- og botnhitari



Notið þessa ofnstillingu fyrir eldun kjöts eða bakstur sem aðeins er hægt að baka eða steikja í einni hæð. Topp- og botnhitarar geisla hita jafnt í ofninum. Ráðlagt hitastig: 200 °C.

Grill



Notið þessa ofnstillingu til að grilla lítið magn af opnum samlokum, björpylsum eða til að rista brauð. Þegar þessi stilling er notuð er aðeins kveikt á grillhitaranum. Ráðlagt hitastig: 230 °C.

Mikið grill



Notið þessa ofnstillingu til að grilla lítið magn af opnum samlokum, björpylsum, kjöti eða til að rista brauð. Kveikt er bæði á grillhitaranum og efri hitaranum þegar þessi stilling er notuð. Ráðlagt hitastig: 230 °C.

Vatnshreinsun



Notið þessa ofnstillingu til að fjarlægja bletti og matarleifar úr ofninum. Aðeins botnhitarinn geislar hita. Kerfið tekur 30 mínútur. Ráðlagt hitastig: 70 °C.

Pítsa



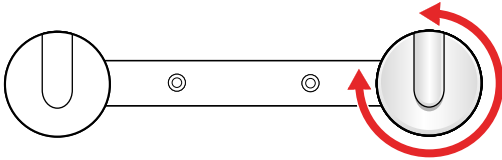
Pítsaaðgerðin notar hátt hitastig sem bakar pítsuna á mjög stuttum tíma með safaríkri skorpu. Notið þessa ofnstillingu til að búa til fullkomna pítsu. Ráðlagt hitastig: 190 °C - 200 °C.

Kveikt og slökkt á ofninum

1. Snúið veljara ofnstillingar á einhverja af eldunarstillingunum til að kveikja á honum.
2. Snúið veljara ofnstillingar á **0** til að slökkva á ofninum.

Change oven temperature

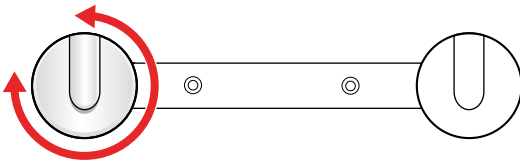
Select a suitable temperature for what you are cooking.



1. Turn the temperature selector clockwise to increase the temperature or anticlockwise to lower the temperature.
CAUTION! Do not turn the selector below the zero position. This can damage the thermostat.
The temperature range is 50-275°C.

Breyta eldunarstillingu ofns

Veljið eldunarstillingu sem hentar fyrir það sem á að elda.



1. Snúið veljara eldunarstillingar réttisælis eða rangsælis til að skipta á milli tiltækra stillinga.



Einnig er hægt að breyta eldunarstillingunni meðan eldað er.

Leiðbeiningar fyrir eldunarstillingu ofns

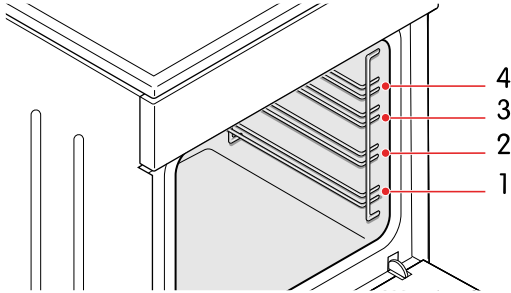
Finndu þá eldunarstillingu sem hentar þörfum þínum best með því að nota eftirfarandi töflu.

Eldunaraðferð	Matartegund	Eldunarstilling ofns
Steikja	Kjöt	
Grill	Opnar samlokur, björpylsur	
	Opnar samlokur, björpylsur, kjöt	
Brúna	Efri hluta matar	
	Neðri hluta matar	
Baka	Bakkelsi á einni hæð	

Eldunaraðferð	Matartegund	Eldunarstilling ofns
Rista	Brauð	
		

Vírbrautir

Vírbrautir gera kleift að velja á milli 4 mismunandi hæða þegar grind eða skúffa er sett inn í ofninn. Hæðirnar/brautirnar eru númeraðar frá botni og upp.



Það er öruggt að nota ofninn bæði með og án brautanna.



VARÚÐ!

Setjið ekki ofnskúffur eða önnur eldunaráhöld á botn ofnsins.

Ráðleggingar fyrir grillun

Farið eftir þessum ráðleggingum þegar grillað er.



VIÐVÖRUN!

Notið grillið einungis með ofnhurðina lokaða.



VIÐVÖRUN!

Notið ofnhanska eða kjöttengur. Grillhitarinn, grindin og aðrir aukahlutir ofns geta orðið mjög heit við grillun.

- Forhitið grillið í u.þ.b. 5 mínútur áður það er notað.
- Athugið matinn með reglulegu millibili. Maturinn getur brunnið hratt við vegna hins háa hitastigs.
- Smyrjið grindina með olíu til að hindra kjötið í að festast við þegar grillað er beint á henni. Notið fjórðu brautina.
- Setjið dropaskúffuna í fyrstu eða aðra brautina.
- Gangið úr skugga um að það sé nægur vökvi í skúffunni þegar notuð er ofnskúffa. Annars gæti maturinn brunnið við.
- Snúið kjötinu.
- Hreinsið ofninn, aukahlutina og áhöldin þegar lokið hefur verið við að grilla.

Ráðleggingar fyrir steikingu

Farið eftir þessum ráðleggingum þegar steikt er.

- Notið pönnu eða skúffu sem er glerungshúðuð, úr perlugleri, leir eða pottjárni.



ATHUGAÐU!

Notið ekki skúffur úr ryðfríu stáli. Þær endurkasta hita rammlega.

- Notið nægilega mikinn vökva þegar eldað er til að koma í veg fyrir að kjötið brenni við.
- Hyljið kjötið til að halda því safaríku.

Ráðleggingar fyrir bakstur

Farið eftir þessum ráðleggingum þegar bakað er.

- Mælt er með því að forhita
- Hægt er að baka kex og smákökurnar á grunnum bökunarplötum á nokkrum hæðum (annarri og þriðju) á sama tíma.



ATHUGAÐU!

Kexið eða smákökurnar á efri bökunarplötunni gætu verið tilbúin fyrr en það sem er á þeirri neðri.

- Setjið alltaf ofnskúffurnar á grindina. Fjarlægjið grindina ef notuð er bökunarplatan sem fylgir.



VARÚÐ!

Setjið ekki djúpu ofnskúffuna í fyrstu brautina.

- Gerið kex sem er af svipaðri þykkt til að tryggja að það brúnist jafnt.
- Form bakstursaukahluta getur breyst þegar þeir verða heitir. Þetta hefur ekki áhrif á virkni þeirra og þeir fara aftur í upprunalegt form þegar þeir kólna niður.

HREINSUN

Verið viss um að hreinsa tækið reglulega til að það endist lengur og haldi áfram að líta vel út.



VIÐVÖRUN!

Leyfið börnum ekki að þrifa tækið án effirlits.



VIÐVÖRUN!

Hætta á rafstuði!

- Fyrir hreinsun skal aftengja tækið frá rafveitu.
- Notið ekki gufuhreinsa eða háþrýstipvott til að hreinsa tækið þar sem slíkt gæti leitt til raflosts.



VARÚÐ!

Bíðið alltaf eftir því að tækið kólni áður en hreinsað er.

Yfirborð helluborðs hreinsað

Hreinsið alltaf keramikgleryfirborð helluborðsins á réttan hátt til að tryggja langan endingartíma og gott útlit.



VARÚÐ!

- Notið ekki stálull, grófgerða hreinsisvampa eða svarfandi duft þar sem þau geta rispað yfirborðið. Ágeng úðahreinsiefni, ryðhreinsunarefni og önnur óviðeigandi hreinsiefni á vökvaformi geta einnig skemmt yfirborðið.
- Eftir hreinsun skal tryggja að allar hreinsiefnaleifar séu vandlega fjarlægðar af yfirborðinu þar sem þær gætu skemmt yfirborðið þegar eldunarsvæðið er hitað næst.



VARÚÐ!

Ef sykur, eða matur með mikið sykurrinnihald, dreifist á yfirborðið þegar það er heitt - skal tafarlaust nota þurrku eða sköfu til að fjarlægja sykurrinn af heitu yfirborðinu. Annars gæti yfirborðið skemmt.

Notið aldrei ræstiefni eða önnur hreinsiefni til að hreinsa heitt yfirborð.

- Þegar helluborðið er hreinsað skal nota sérstakar umhirðuvörur sem mynda verndandi filmu sem hindrar óhreinindi í að festast við yfirborðið.
- Fjarlægjið minniháttá óhreinindi með rökum, mjúkum klút og þurrkið yfirborðið með klút.
- Fjarlægjið vatnsbletti með mildri ediklausn. Verið viss um nota þessa lausn ekki á umgerðina þar sem hún gæti misst glansandi útlit sitt.
- Fyrir þrálát óhreinindi skal nota sérstök hreinsiefni fyrir keramikgler og fylgja fyrirmælum framleiðandans. Ef ekkert annað dugar fjarlægjið þá þrálát óhreinindi með sköfu. Haldið sköfunni við rétt horn (45° til 60°), ýtið sköfunni gætilega að glerinu og rennið henni til að fjarlægja óhreinindin.

Upplitun keramikgleryfirborðsins er vanalega afleiðing matarleifa sem brennst hafa inn í yfirborðið eða notkunar eldunaráhalda úr óviðeigandi efni (eins og áli eða kopar). Mjög erfitt er að fjarlægja slíka upplitun fullkomlega en hún hefur ekki áhrif á virkni helluborðsins og fellur því ekki undir ábyrgðina.

Gleryfirborð hreinsuð

Hreinsið gleryfirborð með búnaði og efnum sem ætluð eru fyrir hreinsun glers, spegla og glugga.



VARÚÐ!

Notið ekki gróf sverfandi hreinsiefni eða beittar málmköfur þar sem þau gætu gert sprungur í yfirborðið og valdið því að glerið brotni.

Hreinsun yfirborða úr ryðfríu stáli

Hreinsið yfirborð úr ryðfríu stáli með mildu hreinsiefni og mjúkum svampi sem rispar ekki yfirborðið.

**VARÚÐ!**

Notið ekki svarfandi hreinsiefni eða hreinsiefni sem innihalda leysiefni þar sem þau geta skemmt yfirborðið.

Hreinsun glerungsyfirborða

Hreinsið glerungsyfirborð með rökum svampi. Fjarlægjið fitubletti með heitu vatni og sérstöku hreinsiefni fyrir glerung.

**VARÚÐ!**

Hreinsið ekki glerungsyfirborð með svarfandi hreinsiefnum eða áhöldum þar sem þau geta valdið varanlegum skemmdum.

Hreinsun plasthluta og lakkhúðaðra yfirborða

Fjarlægjið tafarlaust alla bletti á plasthlutum og lakkhúðuðum yfirborðum með mjúkum ósvarfandi klút og nokkru af vatni. Einnig er hægt að nota hreinsiefni og hreinsunaráhöld sem ætluð eru fyrir plast- og lakkhúðuð yfirborð. Farið eftir fyrirmælum framleiðandans.

**VARÚÐ!**

Notið ekki svarfandi hreinsiefni, svarfandi áhöld eða hreinsiefni gerð úr alkóhóli.

Hreinsun ofnsins

Hreinsið ofnrýmið reglulega.

**VARÚÐ!**

Hallið ykkur ekki upp að opinni hurðinni þegar ofnrýmið er hreinsað. Standið aldrei á opinni ofnhurð og látið ekki börn sitja á henni. Hurðarlamirnar gætu skemmst við óhóflegt álag.

**VARÚÐ!**

Notið ekki nein svarfandi efni. Þau rispa glerungshúðuð yfirborð.

- Hreinsið ofnveggina með rökum svampi og hreinsiefni. Fyrir viðbrennda bletti skal nota sérstakt hreinsiefni fyrir glerung.
- Þurrkið vandlega af ofninum eftir að hafa hreinsað hann.
- Hreinsið vírbrautirnar og sundurdraganlegu brautirnar með venjulegu hreinsiefni.

**VARÚÐ!**

Hreinsið ekki sundurdraganlegu brautirnar í uppþvottavél.


- Hreinsið ofnáhöldin með svampi og hreinsiefni. Hægt er að nota sérstök hreinsiefni á erfiða bletti eða þar sem brunnið hefur við.

Notið vatnshreinsunarkerfið

Notið vatnshreinsunarkerfið til að auðveldlega fjarlægja bletti og matarleifar úr ofninum.

**VARÚÐ!**

Gangið úr skugga um að ofninn hafi kólnað niður áður en WaterClean kerfið er ræst.

1. Snúið veljara eldunarstillingar til .
2. Snúið hitastigsveljaranum til 70 °C.
3. Hellið 0,6 l af vatni í ofnskúffu og setjið hana í neðri brautina.
4. Látið kerfið vinna í 30 mínútur. Matarleifarnar munu mýkjast.
5. Hreinsið glerungsveggi ofnsins með rökum klút.

BILANAGREINING

Hægt er að leysa mörg minniháttar vandamál með hjálp bilanagreiningarupplýsinga. Ef vandamálið er viðvarandi skal ekki reyna að gera við tækið á neinn annan hátt en sagt er í þessari handbók.



VIÐVÖRUN!

Hætta á rafstuði!

- Reynið ekki að framkvæma neinar viðgerðir sjálf. Sé átt við tækið eða gert við það af öðrum en fagmanni getur það valdið meiðslum eða skemmdum á tækinu. Það ógildir einnig ábyrgðina. Hafið þess í stað samband við tæknimann.
- Skiptið ekki sjálf um rafmagnssnúru. Ef rafmagnssnúran er skemmd verður framleiðandi eða viðurkenndur tæknimaður að skipta um hana til að forðast hættu.

Aðalöryggi heimilisins slær oft út

Raforka allra tækja sem kveikt er á fer yfir getu rafveitunnar fyrir heimilið

Hafið samband við tæknimann.

Ofnlýsingin virkar ekki

Skipta þarf um ofnljósið

Sjá hluti "Skipt um peru í ofnljósi", [síða 239](#).

Maturinn er of lítið eldaður

Það geta verið aðrar orsakir fyrir vandamálinu. Fylgdu leiðbeiningunum fyrir orsakirnar sem stungið er upp á til að leysa vandamálið.

Rangt hitastig eða röng eldunarstilling valin

Gangið úr skugga um að rétt hitastig og eldunarstilling hafi verið valin.

Ofnhurðin er opin

Tryggið að ofnhurðin sé lokuð.

Varahlutir

Skipt um peru í ofnljósi

Þegar ljósaperan springur skal skipta henni út með halógen ljósaperu G9, 25 W.



VIÐVÖRUN!

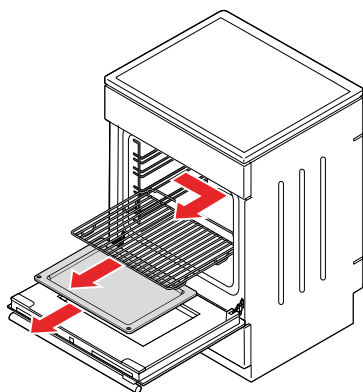
Hætta á rafstuði! Áður en skipt er um ljósaperu skal alltaf aftengja tækið frá rafveitu.



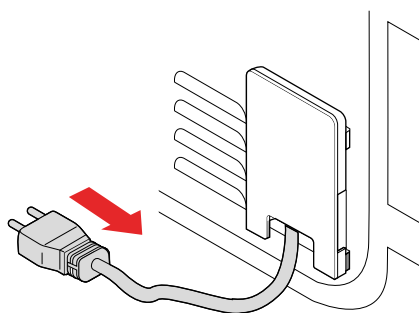
ATHUGAÐU!

Ljósaperan fellur ekki undir ábyrgð vegna þess að hún er rekstrarvara.

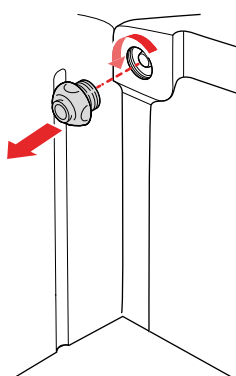
1. Fjarlægjið grind, brautir og skúffur.



2. Aftengið eldavélina frá rafveitu.

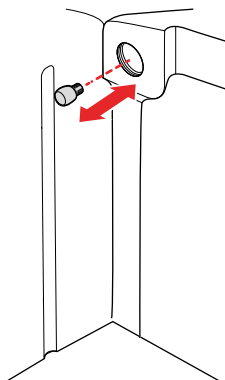
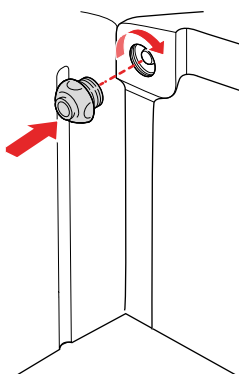
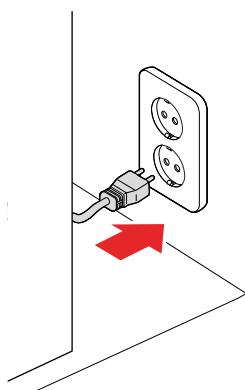


3. Fjarlægjið peruhlífina.



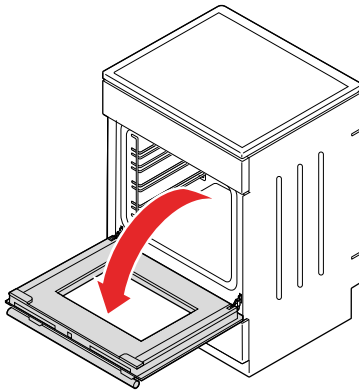
4. Skiptið um peru.

VIÐVÖRUN! Notið hlífðarhanska þegar gamla peran er fjarlægð til að forðast að brennast.
VARÚÐ! Skemmið ekki glerungsyfirborðið.

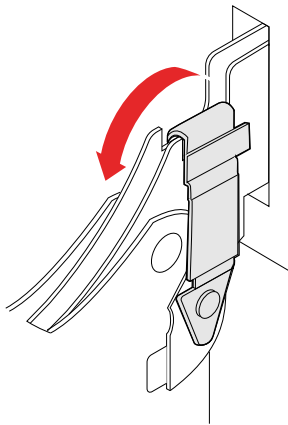
**5. Setjið hlífina á.****6. Tengjið eldavélina við rafveitu.****Skipt um ofnhurð**

Fjarlægjið og skiptið um ofnhurð ef hún er brotin eða ef fjarlægja þarf rúðufliot ofnhurðarinnar.

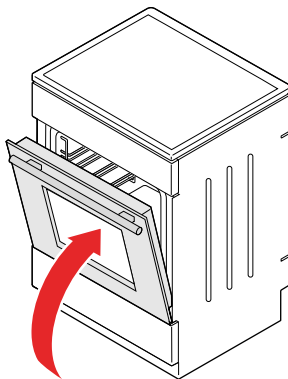
1. Opnið ofnhurðina alla leið.



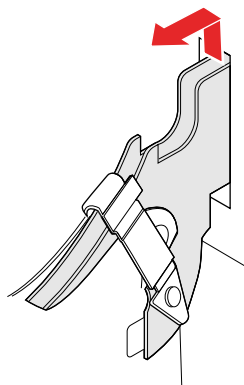
2. Lyftið upp og leggið saman klinkurnar í hurðarlömunum.



3. Hallið hurðinni gætilega í um það bil 15° horn.



4. Fjarlægjið hurðina: Togið lamirnar út úr opunum.



Setjið aftur í öfugri röð.



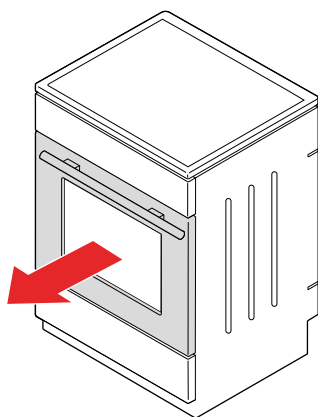
VARÚÐ!

Verið viss um að lamirnar séu rétt staðsettar í krækjum sínum. Annars gæti hurðin ekki opnast og lokast á réttan hátt.

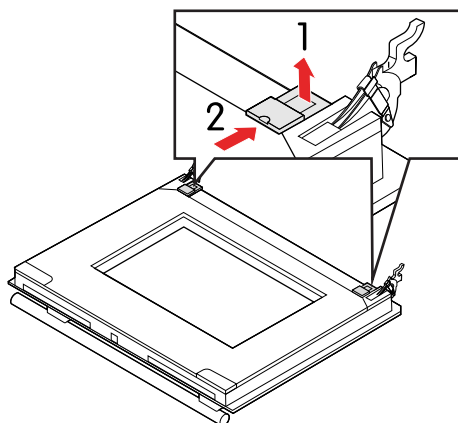
Rúðufloður ofnhurðar fjarlægður og settur í

Fjarlægjið rúðufloður ofnhurðarinnar ef hann er brotinn eða ef hreinsa á hann.

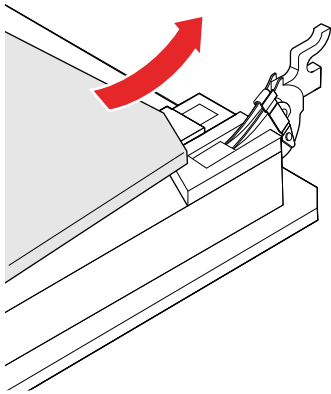
1. Fjarlægjið ofnhurðina frá tækinu.



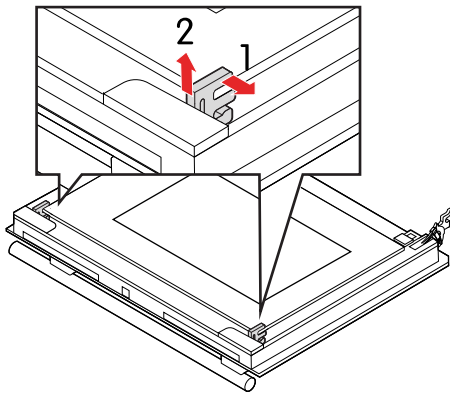
2. Lyftið undirstöðunum lítillega og togið þær af glerinu.



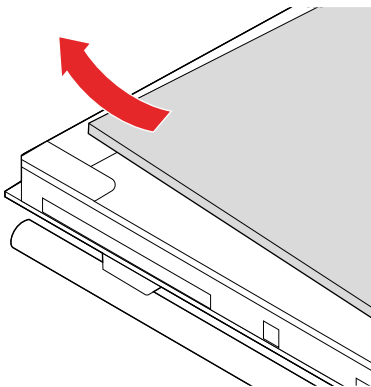
3. Lyftið neðri enda rúðufletarins og takið hann úr.



4. Snúðið gúmmihöldunum smávegis og togið þau af rúðufletinum sem er eftir.



5. Lyftið efri enda rúðufletarins sem er eftir og takið hann úr.



Setjið aftur í öfugri röð.



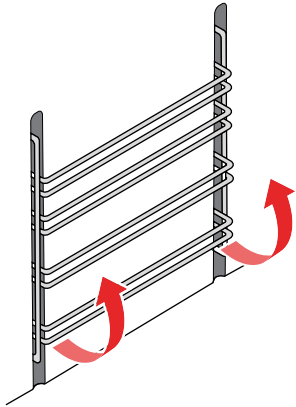
ATHUGAÐU!

Merkingarnar (hálfhringur) á hurðinni og rúðufletinum ættu að skarast.

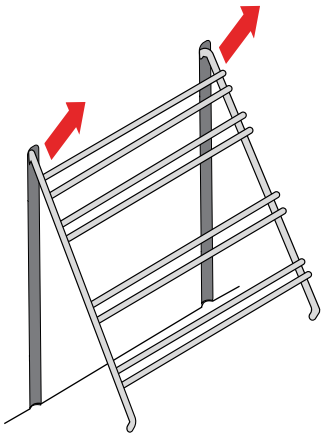
Vírbrautir fjarlægðar og settar í

Notið þessa aðferð til að fjarlægja og setja í vírbrautirnar.

1. Togið neðri hlið brautanna út úr ofnveggnum.



2. Togið brautirnar út úr götunum á efri hliðinni.



Setjið brautirnar aftur í öfugri röð.

Rafmagnssnúrutengingar

Ef rafmagnssnúran er skemmd verður að skipta henni tafarlaust út.



VIÐVÖRUN!

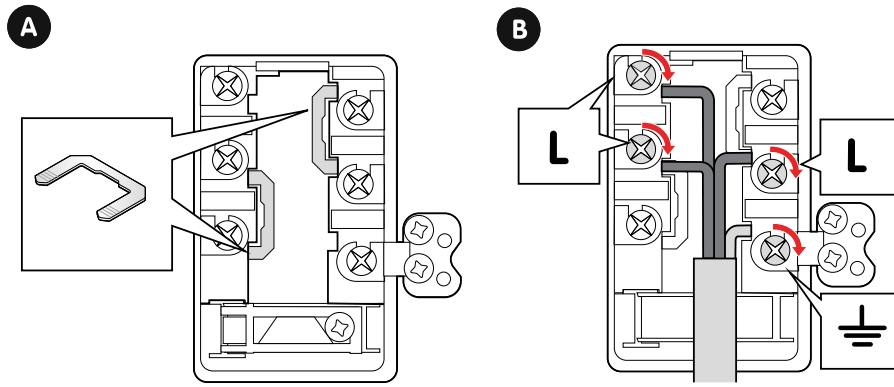
- Skiptið ekki sjálf um rafmagnssnúru. Ef rafmagnssnúran er skemmd verður framleiðandi eða viðurkenndur tæknimaður að skipta um hana til að forðast hættu.
- Rafmagnsuppsetningin verður að fylgja staðbundnum reglum.
- Notið 4x1,5 mm² snúru sem merkt er H05VV-F 4G1.5 eða betri.



ATHUGAÐU!

Ábyrgðin nær ekki yfir viðgerð né neinar ábyrgðarkröfur vegna rangrar tengingar eða notkunar tækisins.

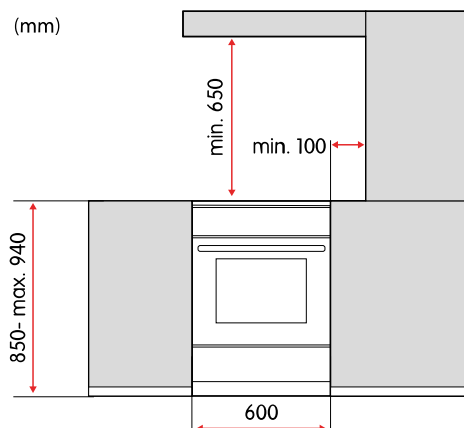
Eftirfarandi skýringarmynd sýnir rafmagnssnúrutengingar, sjá A fyrir hvernig á að setja upp brýr og B fyrir hvernig á tengja kaplana.



UPPSETNING

Staðsetning eldavélar

Verið viss um að staðsetja ofninn með tilliti til mælistærðanna og annarra þátta sem lýst er í þessum hluta.



VIÐVÖRUN!

Hætta á eldsvoða!

- Gangið úr skugga um að gólfíð og aðliggjandi veggir séu hitapólin upp að a.m.k. 90 °C.
- Setjið ofninn ekki upp fyrir aftan skrauthurð þar sem hún gæti ofhitnað.



VIÐVÖRUN!

Ætlast er til að ofninn sé settur beint á gólfíð, án neinna stoða eða sökkuls.



VARÚÐ!

Setjið ofninn ekki upp nálægt öflugum hitagjöfum, eins og eldavélum með föstu eldsneyti, þar sem hátt hitastigið gæti skemmt ofninn.

Festið eldavélina við vegg

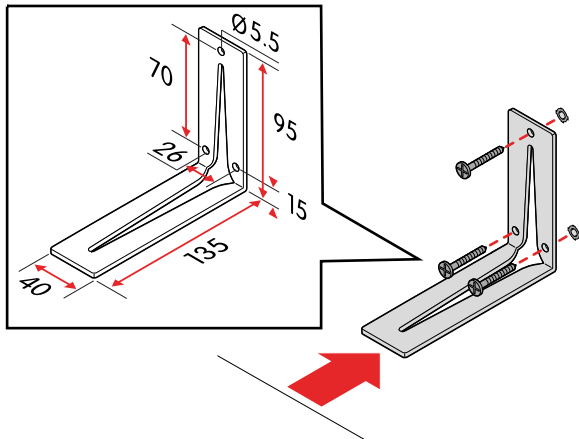
Að festa eldavélina við vegg kemur í veg fyrir að hún sporðreisist.



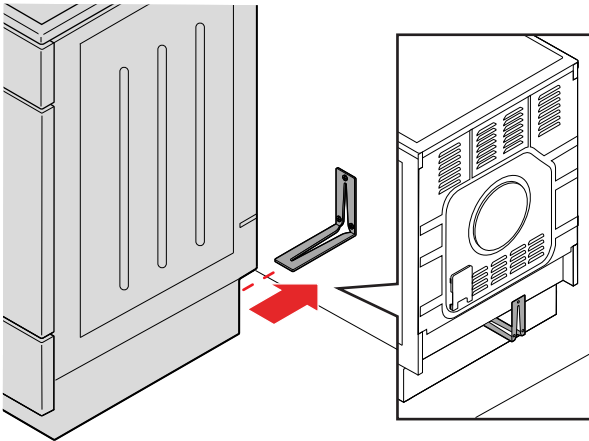
VIÐVÖRUN!

Hætta á að sporðreisist! Gera þarf ráðstafanir fyrir stöðugleika til að hindra að tækið geti oltið.

1. Festið festinguna við vegginn með því að nota skrúfurnar og festingarnar sem fylgja með.
VIÐVÖRUN! Ef skrúfurnar sem fylgja með henta ekki fyrir vegginn verði þá viss um að nota skrúfur sem tryggja örugga uppsetningu á vegginn.



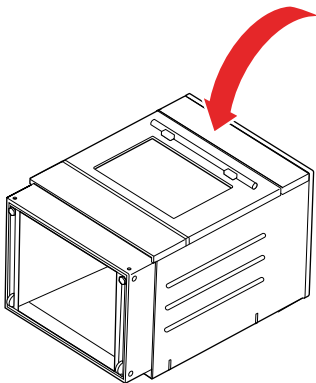
2. Staðsetjið eldavélina hjá festingunni og festið hana.

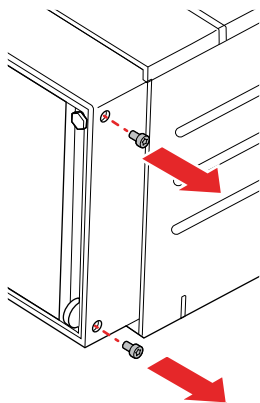
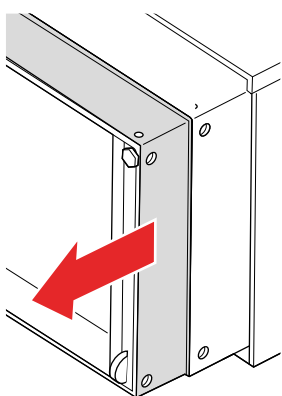
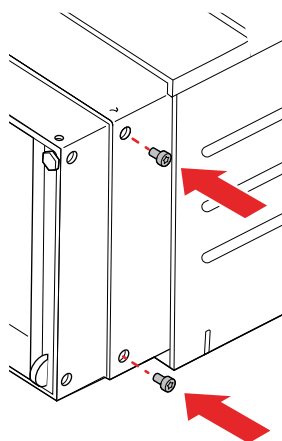


Hæð eldavélar stilt

Hægt er að stilla hæð eldavélarinnar á bilinu 850 mm til 940 mm.

1. Leggið eldavélina á bakið niður á gólf.



2. Losið skúrurnar.**3. Stillið hæðina.****4. Festið skúrurnar aftur.**

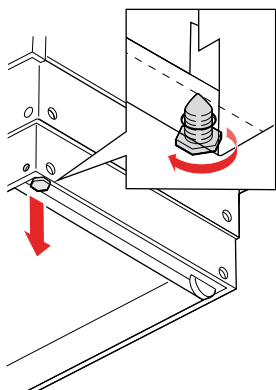
Eldavél hallastílt

Hallastíllið eldavélina með því að stilla hæð framfótanna og afturhjóllanna hvors um sig.

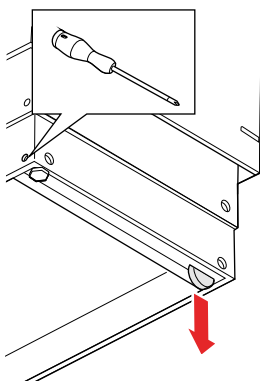
**VIÐVÖRUN!**

Setja verður eldavélina upp þannig að hún sé lárétt hallastílt.

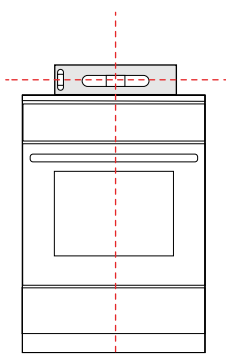
1. Snúið framfótunum til að stilla hæðina.



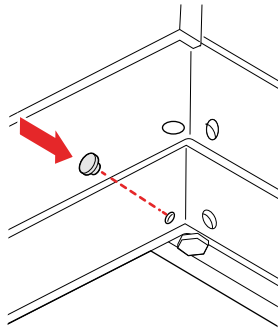
2. Snúið hjólastillingaskrúfunum til að stilla hæð afturhjóllanna.



3. Setjið hallamæli ofan á eldavélina til að athuga hvort hún sé í láréttri stöðu. Stillið ef þarf.



4. Setjið blindtappa í götin.



Tengið við rafveitu

Eldavélin kemur með áfestri rafmagnssnúru tilbúinni til að setja í samband við 400 V, 50 Hz innstungu.



VIÐVÖRUN!

Tengja skal tækið með fastri raffengingu:

- Tengjið ekki tækið við rafveitu sjálf. Aðeins viðurkenndur tæknimaður má tengja tækið.
- Fyrir tengingu skal nota 4x1,5 mm² snúru sem merkt er H05VV-F 4G1.5 eða betri.



VIÐVÖRUN!

- Rafmagnsuppsetningin verður að fylgja staðbundnum reglum.
- Notið ekki ytri tímastilla eða aðskilinn fjarstýribúnað til að stjórna tækinu.



VARÚÐ!

Lesið leiðbeiningarnar vandlega áður en tækið er tengt. Ábyrgðin nær ekki yfir viðgerð né neinar ábyrgðarkröfur vegna rangrar tengingar eða notkunar tækisins.

1. Tengjið tengilinn við 400 V, 50 Hz innstungu.

VIÐAUKI

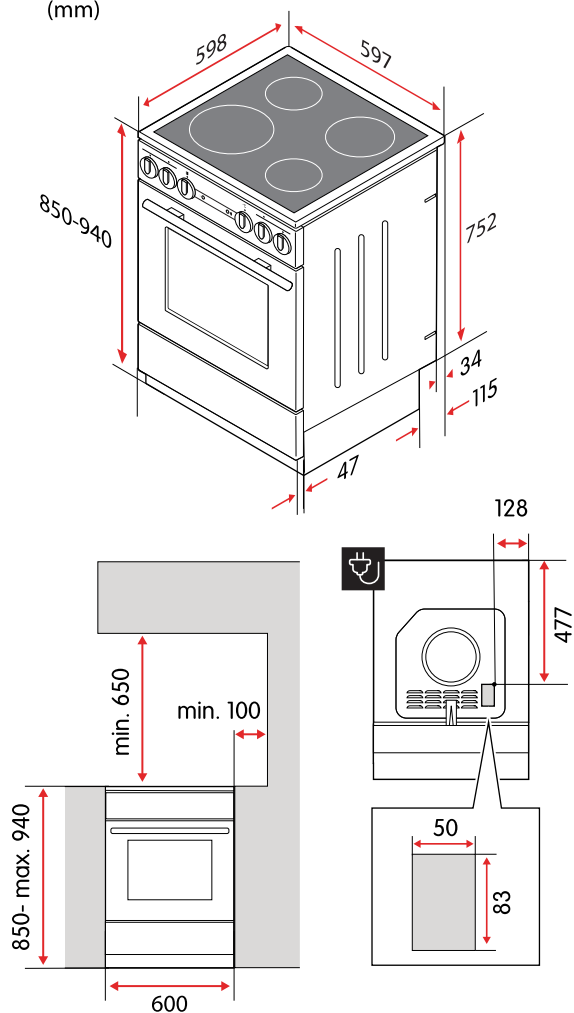
Tæknilýsingar

Vörukóði	CCS46401VN-E2
Hæð	85-94 cm
Breidd	59,7 cm
Dýpt	59,8 cm
Þyngd	46,8 kg
Rúmtak ofnrýmis	74 l
Raftenging	380-415 V, 3~, 50 Hz
Málstærðir raftengingar	9 300 W

Eldunarsvæði	Þvermál	Orka
Vinstra megin að framan	21 cm	2,3 kW
Vinstra megin að aftan	14,5 cm	1,2 kW
Hægra megin að aftan	18 cm	1,8 kW
Hægra megin að framan	14,5 cm	1,2 kW

Stærðir

(mm)

**ESB tilskipanir og staðlar**

Þetta tæki uppfyllir viðeigandi ESB tilskipanir og reglugerðir og ber á sér CE-merkið. Ef hún fylgir ekki tækinu er hægt á fá samræmisyfirlýsingu ESB samkvæmt beiðni.

Nothæfi tækisins hefur verið prófað í samræmi við staðal EN 60350-1.

